

High Purity Ball Valve TRIO/F/316L/ISO/OD-USP



Connection : ASME BPE

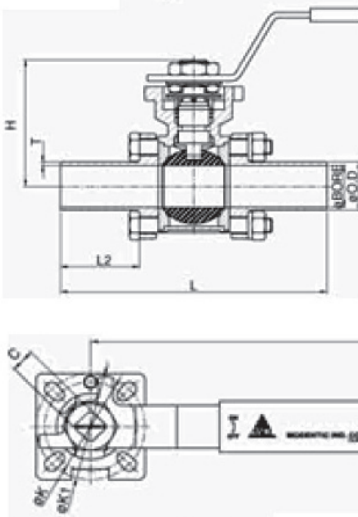
Seats & Seals : FDA 21CFR 177 /
USP23 class VI compliant

Temperature rating : - 57° C -180° C

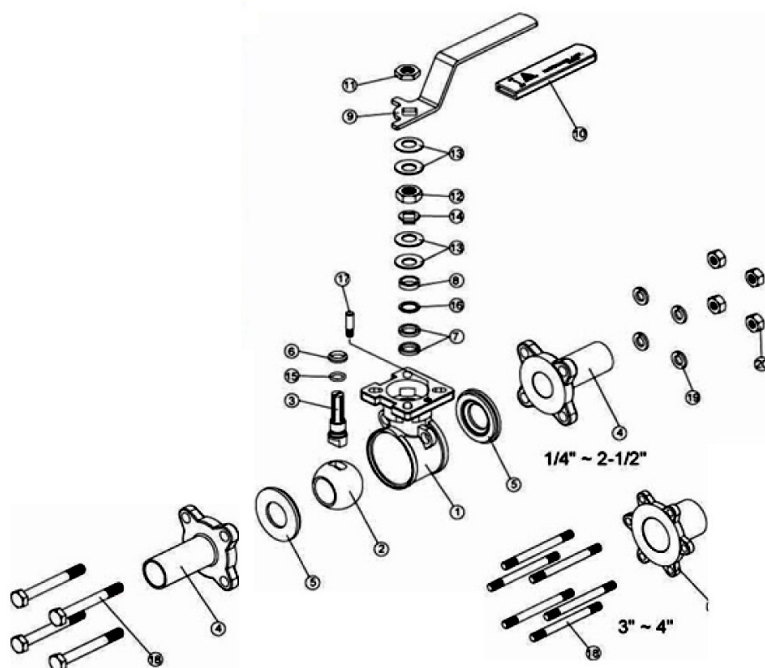
Pressure rating : 1/2" - 2" = PN 63

Surface finish : Mechanical polished 0.5 µm

Certificate : Available with 3.1 certificate



O.D.	PORT	L	L2	T	E	H	C	Ø K	Ø K1
12.7	9.4	123.5	40.0	1.65	112.0	77.3	9.0	36.0	42.0
19.05	15.8	128.0	40.0	1.65	112.0	91.3	9.0	36.0	42.0
25.4	22.1	135.0	40.0	1.65	133.5	93.2	11.0	42.0	50.0
38.1	34.8	155.0	40.0	1.65	202.0	116.5	14.0	50.0	70.0
50.8	47.5	168.5	40.0	1.65	202.0	116.52	14.0	50.0	70.0
63.5	60.20	191.0	40.0	1.65	257.0	149.50	17.0	70.0	102.0
76.2	72.90	230.0	50.0	1.65	257.0	157.5	17.0	70.0	102.0
101.6	97.49	253.5	50.0	2.10	335.0	203.7	22.0	102.0	125.0



NO.	PART NAME	MATERIAL
1	Body	ASTM A351 Gr.CF3M
2	Ball	ASTM A351 Gr.CF3M
3	Stem	SS316L
4	End Cap	ASTM A351 Gr.CF3M
5	Seat	TFM 1600
6	Thrust Washer	TFM 1600
7	Stem Packing	TFM 1600
8	Gland Bush	SS304
9	Handle	SS304
10	Handle Cover	PLASTIC
11	Nut	SS304
12	Stem Half Nut	SS304
13	Belleville Washer	SS301
14	Tab Washer	SS304
15	Stem O-Ring	VITON
16	Packing Follower	15% RTFE
17	Lever Stop	SS304
18	Body Bolt/Stud	SS304
19	Bolt Washer	SS304
20	Bolt Nut	SS304