

## High Purity Ball Valve TRIO/F/316L/ISO/CLAMP-USB

Connection : ASME BPE

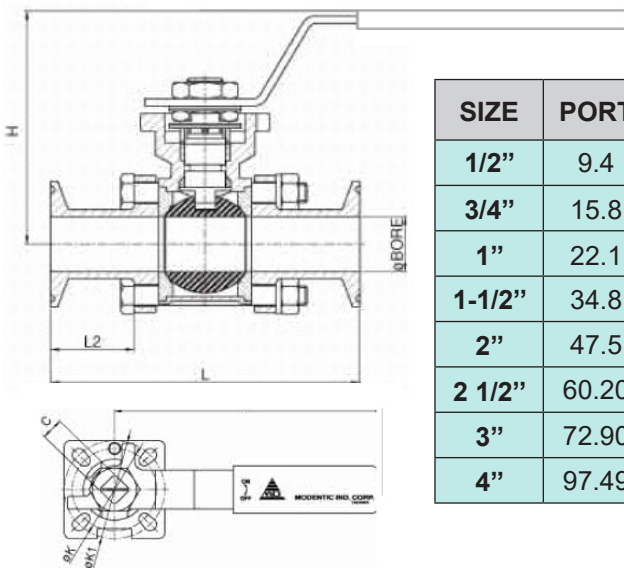
Seats & Seals : FDA 21CFR 177 /  
USP23 class VI compliant

Temperature rating : - 57° C -180° C

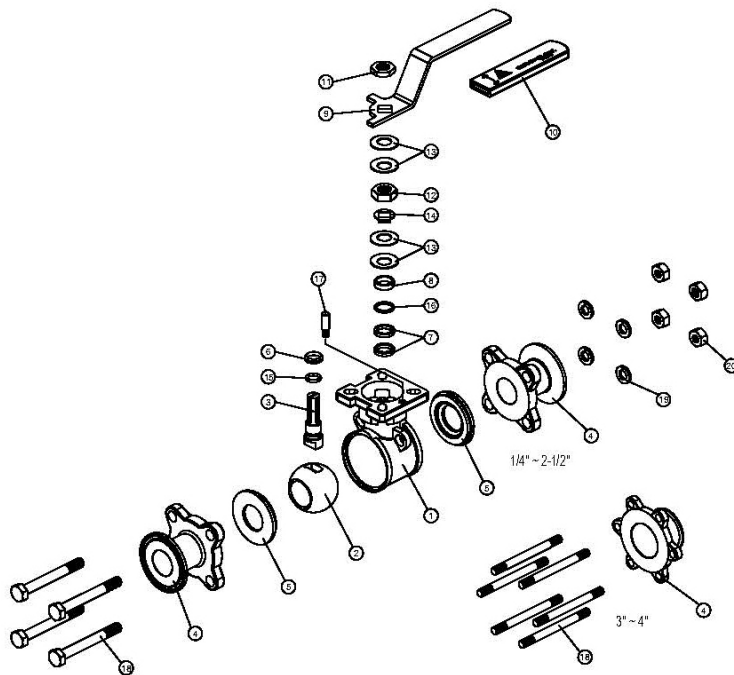
Pressure rating : 1/2" - 2" = PN 63

Surface finish : Mechanical polished 0.5 µm

Certificate : Available with 3.1 certificate



SIZE	PORT	L	L2	E	H	C	Ø K	Ø K1
1/2"	9.4	88.9	22.71	111.99	77.3	9.0	36.0	42.0
3/4"	15.8	101.6	26.80	111.99	91.3	9.0	36.0	42.0
1"	22.1	119.99	32.51	133.5	93.2	11.0	42.0	50.0
1-1/2"	34.8	139.78	32.41	202.0	116.5	14.0	50.0	70.0
2"	47.5	158.88	35.20	202.0	116.52	14.0	50.0	70.0
2 1/2"	60.20	171.58	30.30	257.0	149.50	17.0	70.0	102.0
3"	72.90	228.60	49.30	257.0	157.5	17.0	70.0	102.0
4"	97.49	254.08	50.29	335.0	203.7	22.0	102.0	125.0



NO.	PART NAME	MATERIAL
1	Body	ASTM A351 CF3M 316L
4	Ball	ASTM A351 CF3M 316L
5	Stem	SS316L
9	End Cap	ASTM A351 CF3M 316L
11	Body Seal	PTFE
12	Seat	PTFE
13	Thrust Washer	PTFE
14	Stem Packing	PTFE
15	Gland Bush	SS304
19	Handle	SS304
20	Stop Caech	SS304
21	Handle Cover	PLASTIC
22	Stem Nut	SS304
29	Belleville Washer	SS301
30	Tab Washer	SS304
32	Packing Follower	PTFE
33	Stop Pin	SS304
35	Stud	SS304
36	Boltwasher	SS304
37	Bolt Nut	SS304
50	Handle Adapter	SS304