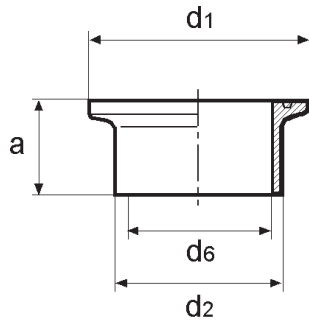


### OD IMPERIAL

Size	d1	d2	d6	a
1/2"	25.0	12.7	9.40	21.5
3/4"	25.0	19.05	15.75	21.5
1"	50.5	25.40	22.10	21.5
1 1/2"	50.5	38.10	34.80	21.5
2"	64.0	50.80	47.50	21.5
2 1/2"	77.5	63.50	60.20	21.5
3"	91.,0	76.20	72.90	21.5
3 1/2"	106.0	88.9	84.70	21.5
4"	118..9	101.60	97.38	21.5
4 1/2"	130.0	114.95	110.30	28.0
5"	144.4	127.00	123.00	28.0
5 1/2"	155.0	140.55	135.76	28.0
6"	166.9	154.00	150.00	28.0
6 5/8"	183.0	169.35	163.10	28.0
8"	233.5	204.00	200.00	28.0
8 5/8"	286.1	220.55	213.90	28.0
10"	268.0	254.00	250.00	28.0
10 5/8"	286.1	273.00	266.30	28.0
12"	319.0	304.80	300.80	28.0
12 5/8"	338.0	323.80	315.90	28.0

Inox 316L Poli/*Gepolijst*  
 ASME-BPE Design  
 Ra ≤ 0,4µm  
 Material certification 3.1



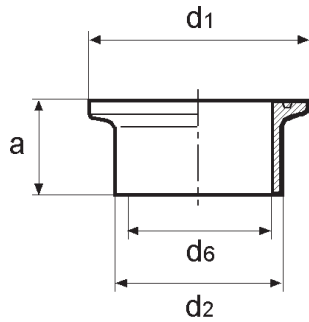


## DIN 32 676

Size	d1	d2	d6	a
DN 10	34.00	13.00	10.00	18.00
DN 15	34.00	19.00	16.00	18.00
DN 20	34.00	23.00	20.00	18.00
DN 25	50.50	29.00	26.00	21.50
DN 32	50.50	35.00	32.00	21.50
DN 40	50.50	41.00	38.00	21.50
DN 50	64.00	53.00	50.00	21.50
DN 65	91.00	70.00	66.00	21.50
DN 80	106.00	85.00	81.00	21.50
DN 100	119.00	104.00	100.00	21.50
DN 125	155.00	129.00	125.00	28.00
DN 150	183.00	154.00	150.00	28.00
DN 200	233.50	204.00	200.00	28.00

Inox 316L Poli/Gepolijst  
 Ra ≤ 0,4µm  
 Material certification 3.1



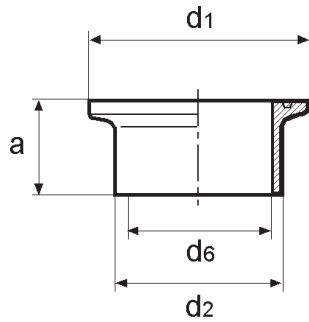


## BS Schedule 5s

Size	d1	d2	d6	a
1/2"	50.5	21.34	18.04	21.5
3/4"	50.5	26.67	23.37	21.5
1"	50.5	33.40	30.10	21.5
1 1/4"	64.0	42.16	38.86	21.5
1 1/2"	64.0	48.26	44.96	21.5
2"	77.5	60.33	57.02	21.5
2 1/2"	91.0	73.03	68.81	21.5
3"	106.0	88.90	84.68	21.5
3 1/2"	119.0	101.60	97.38	21.5
4"	130.0	114.30	110.08	28.0
5"	155.0	141.30	135.76	28.0
6"	183.0	168.28	162.74	28.0
8"	233.5	219.28	213.54	28.0
10"	286.1	273.05	266.25	28.0
12"	338.0	323.85	315.93	28.0

Inox 316L Poli/Gepolijst  
 Ra ≤ 0,4µm  
 Material certification 3.1



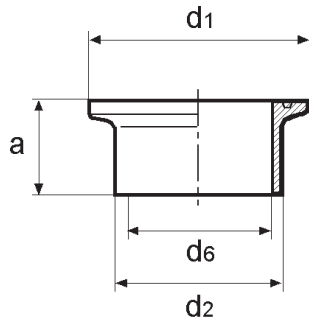


## BS Schedule 10s

Size	d1	d2	d6	a
1/2"	50.5	21.34	17.12	21.5
3/4"	50.5	26.67	22.45	21.5
1"	50.5	33.40	27.86	21.5
1 1/4"	64.0	42.16	36.62	21.5
1 1/2"	64.0	48.26	42.72	21.5
2"	77.5	60.33	54.79	21.5
2 1/2"	91.0	73.03	66.93	21.5
3"	106.0	88.90	82.80	21.5
3 1/2"	119.0	101.60	95.50	21.5
4"	130.0	114.30	108.20	28.0
5"	155.0	141.30	134.50	28.0
6"	183.0	168.28	161.47	28.0
8"	233.5	219,08	211.56	28.0
10"	286.1	273,05	264.67	28.0
12"	338.0	323,85	314.71	28.0

Inox 316L Poli/Gepolijst  
 Ra ≤ 0,4µm  
 Material certification 3.1



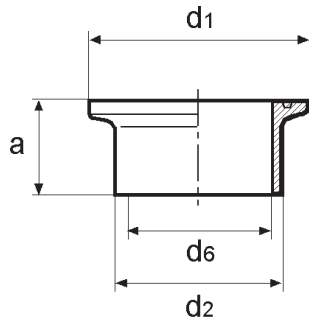


## BS Schedule 40s

Size	d1	d2	d6	a
1/2"	50.5	21.34	15.80	21.5
3/4"	50.5	26.67	20.93	21.5
1"	50.5	33.40	26.64	21.5
1 1/4"	64.0	42.16	35.04	21.5
1 1/2"	64.0	48.26	40.88	21.5
2"	77.5	60.33	52.51	21.5
2 1/2"	91.0	73.03	62.71	21.5
3"	106.0	88.90	77.92	21.5
3 1/2"	119.0	101.60	90.12	21.5
4"	130.0	114.30	102.26	28.0
5"	155.0	141.30	128.20	28.0
6"	183.0	168.28	154.06	28.0
8"	233.5	211.56	202.72	28.0
10"	286.1	219.08	254.51	28.0
12"	338.0	273.05	304.79	28.0

Inox 316L Poli/Gepolijst  
 Ra ≤ 0,4µm  
 Material certification 3.1





## ISO 1127

Size	d1	d2	d6	a
DN 8 / 25	25.0	13.50	10.30	21.5
DN 8 / 34	34.0	13.50	10.30	18.0
DN 10 / 25	25.0	17.20	14.00	21.5
DN 10 / 34	34.0	17.20	14.00	18.0
DN 15 / 50.5	50.5	21.30	18.10	21.5
DN 15 / 34	34.0	21.30	18.10	18.0
DN 20 / 50.5	50.5	26.90	23.70	21.5
DN 20 / 50.5	50.5	26.90	22.90	21.5
DN 25 / 50.5	50.5	33.70	29.700	21.5
DN 32 / 50.5	50.5	42.40	38.40	21.5
DN 32 / 64	64.0	42.40	38.40	21.5
DN 40 / 64	64.0	48.30	44.30	21.50
DN 50 / 77.5	77.5	60.30	56.30	21.50
DN 65 / 91	91.0	76.10	72.10	21.50
DN 80 / 106	106.0	88.90	84.90	21.50
DN 100 / 130	130.0	114.3	110.3	28.50
DN 125 / 155	155.0	139.7	135.7	28.0
DN 150 / 183	183.0	168.30	163.10	28.0
DN 200 / 233	233.5	219.10	213.90	28.0
DN 250 / 286	286.1	273.0	267.80	28.0
DN 300 / 338	338.50	323.90	318.70	28.0

Inox 316L Poli/Gepolijst  
 Ra ≤ 0,4µm  
 Material certification 3.1

