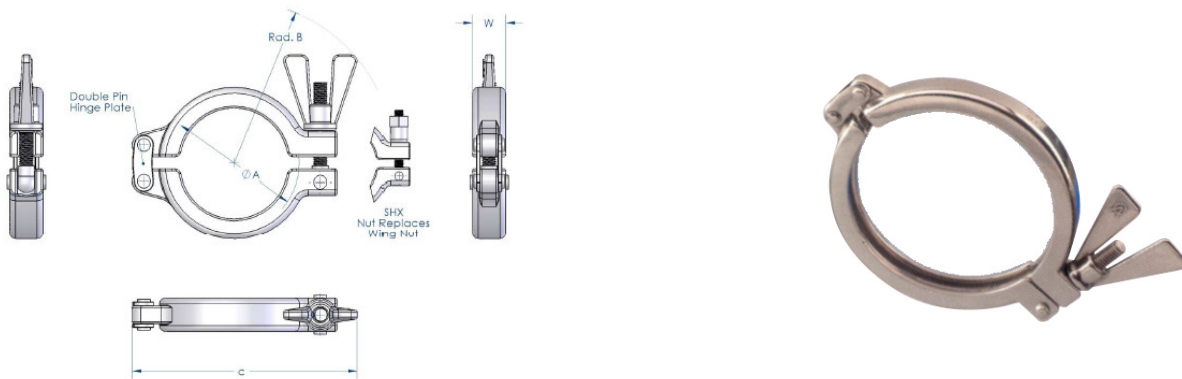


S TYPE

Inox 304 Poli/Gepolijst

Fabrication européenne/ *Europese productie*

Size	A	B	C	W	Poids
1/2" - 3/4"	25.4	63.0	60.0	17.0	0.13
10/15/20	34.0	73.0	69.0	17.0	0.17
1" - 1 1/2"	50.5	78.0	85.0	17.0	0.21
2"	64.0	82.0	99.0	17.0	0.25
2 1/2'	77.5	89.0	112.0	17.0	0.35
3"	91.0	96.0	126.0	17.0	0.42
3 1/2"	106.0	103.0	140.0	17.0	0.44
4"	119.0	110.0	154.0	17.0	0.51
4 1/2"	130.0	115.0	165.0	17.0	0.60
6"	167.0	134.0	216.0	25.0	0.88

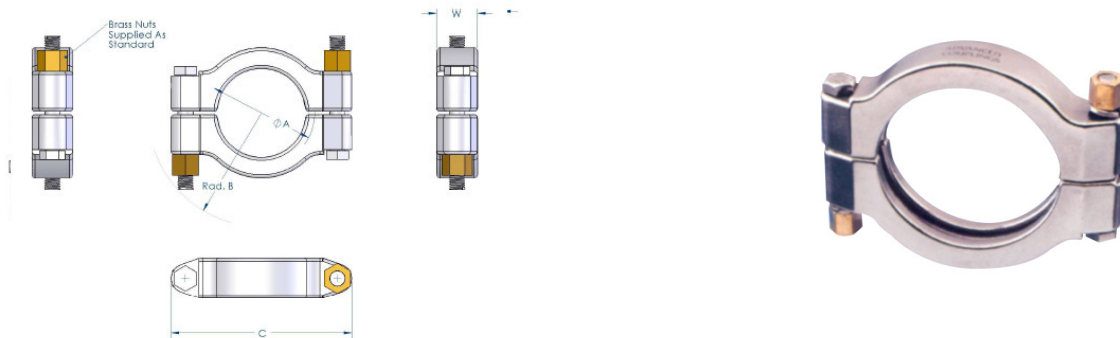


SH - TYPE

Inox 316 Poli/Gepolijst

Fabrication européenne/ Europese productie

Size	A	B	C	W	Weight
1/2" - 3/4"	25.4	63.0	75.0	17.0	0.15
1" - 1 1/2"	50.5	77.0	102.0	17.0	0.25
2"	64.0	93.0	123.0	17.0	0.33
2 1/2"	77.5	100.0	140.0	17.0	0.38
3"	91.0	105.0	150.0	17.0	0.44
3 1/2"	106.0	110.0	165.0	17.0	0.44
4"	119.0	119.0	185.0	17.0	0.57
4 1/2"	130.0	119.0	191.0	17.0	0.60
5"	144.0	131.0	215.0	19.0	0.75
5 1/2"	155.0	155.0	252.0	24.0	1.39
6"	167.0	156.0	262.0	24.0	1.38
6 5/8"	183.0	164.0	280.0	24.0	1.61
8"	217.0	184.0	325.0	24.0	2.11
8 5/8"	233.0	185.0	333.0	24.0	2.25



SSH-TYPE

Inox 304 Poli/Gepolijst

Inox 316 Poli/Gepolijst

Fabrication européenne/ Europese productie

Size	A	B	C	W	Poids
1/2" - 3/4"	25.4	34.0	65.0	16.0	0.16
10/15/20	34.0	42.0	74.0	18.0	0.22
1" - 1 1/2"	50.5	64.0	103.0	26.0	0.66
2"	64.0	67.0	113.0	26.0	0.82
2 1/2"	77.5	75.0	128.0	26.0	0.94
3"	91.0	80.0	137.0	26.0	1.02
3 1/2"	106.0	88.0	150.0	26.0	1.07
4"	119.0	93.0	165.0	26.0	1.27
4 1/2"	130.0	97.0	174.0	26.0	1.33
6"	167.0	132.0	240.0	26.0	1.93
6 5/8"	183.0	142.0	260.0	26.0	2.11
8 5/8"	233.0	168.0	318.0	26.0	2.52