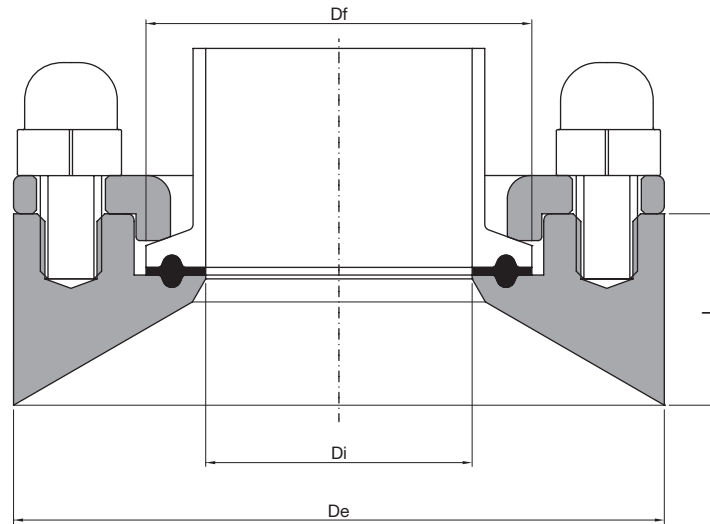


# YCON

## ZERO DEAD LEG CONNECTION - TOP QUALITY

TECHNICAL INFORMATION \_ YCON - SMS 3008 - AISI 316L - 1.4435-BN2 - 0,4 Ra INT - 0,8 Ra EXT



SIZE	CODE	L mm (inch)	De mm (inch)	Df mm (inch)	Di mm (inch)
S12	YCON-0012-0012-S0000	12,00 (0,47)	55,00 (2,17)	25,00 (0,98)	10,00 (0,39)
	YCON-0012-0025-S0000	25,00 (0,98)			
	YCON-0012-0038-S0000	38,00 (1,50)			
	YCON-0012-0051-S0000	51,00 (2,01)			
S18	YCON-0018-0012-S0000	12,00 (0,47)	55,00 (2,17)	25,00 (0,98)	15,00 (0,59)
	YCON-0018-0025-S0000	25,00 (0,98)			
	YCON-0018-0038-S0000	38,00 (1,50)			
	YCON-0018-0051-S0000	51,00 (2,01)			
S25	YCON-0025-0012-S0000	12,00 (0,47)	85,00 (3,35)	50,50 (1,99)	22,60 (0,89)
	YCON-0025-0025-S0000	25,00 (0,98)			
	YCON-0025-0038-S0000	38,00 (1,50)			
	YCON-0025-0051-S0000	51,00 (2,01)			
S38	YCON-0038-0012-S0000	12,00 (0,47)	85,00 (3,35)	50,50 (1,99)	35,60 (1,40)
	YCON-0038-0025-S0000	25,00 (0,98)			
	YCON-0038-0038-S0000	38,00 (1,50)			
	YCON-0038-0051-S0000	51,00 (2,01)			
S51	YCON-0051-0015-S0000	12,00 (0,47)	100,00 (3,94)	64,00 (2,52)	48,60 (1,91)
	YCON-0051-0025-S0000	25,00 (0,98)			
	YCON-0051-0038-S0000	38,00 (1,50)			
	YCON-0051-0051-S0000	51,00 (2,01)			
S64	YCON-0064-0015-S0000	12,00 (0,47)	112,00 (4,41)	77,50 (3,05)	60,30 (2,37)
	YCON-0064-0025-S0000	25,00 (0,98)			
	YCON-0064-0038-S0000	38,00 (1,50)			
	YCON-0064-0051-S0000	51,00 (2,01)			

SIZE	CODE	L mm (inch)	De mm (inch)	Df mm (inch)	Di mm (inch)
<b>S76</b>	YCON-0076- <b>0015</b> -S0000	12,00 (0,47)	131,00 (5,16)	91,00 (3,58)	72,90 (2,87)
	YCON-0076- <b>0025</b> -S0000	25,00 (0,98)			
	YCON-0076- <b>0038</b> -S0000	38,00 (1,50)			
	YCON-0076- <b>0051</b> -S0000	51,00 (2,01)			
<b>S102</b>	YCON-0102- <b>0015</b> -S0000	12,00 (0,47)	170,00 (6,69)	119,00 (4,69)	97,60 (3,84)
	YCON-0102- <b>0025</b> -S0000	25,00 (0,98)			
	YCON-0102- <b>0038</b> -S0000	38,00 (1,50)			
	YCON-0102- <b>0051</b> -S0000	51,00 (2,01)			

**Welding Plate Material:** 1.4435-BN2 (Low ferrite and low sulphur also according to ASME BPE requirements)

**Locking Ring Material:** 1.4404

**Bolts & Nuts:** 1.4404 / 1.4301

**Internal finishing:** 0,4 Ra

**External finishing:** 0,8 Ra

## ON REQUEST



Possibility to deliver “already machined rounded plates” to be able to copy the internal shape of the vessel achieving the highest customers requirements. Customers will have a great benefit in terms of quality and cost saving on vessel manufacturing



Multiport monoblock (CADLID)  
Tank covers machined from solid, no weldings, cost saving on vessel manufacturing and higher quality achieved.