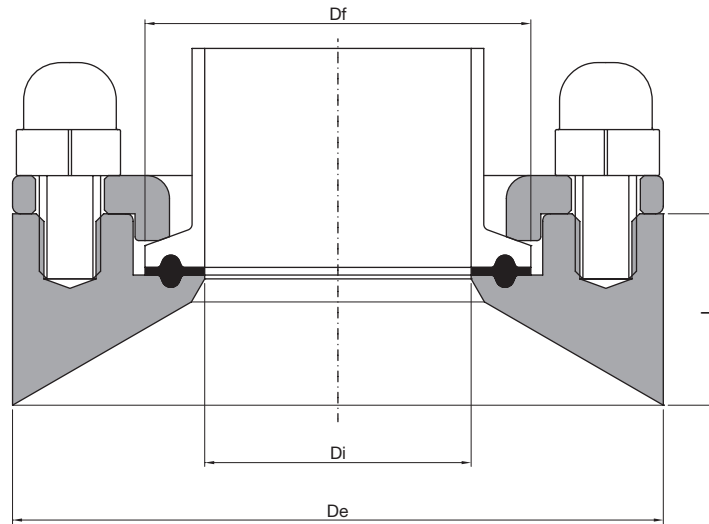


YCON

ZERO DEAD LEG CONNECTION - TOP QUALITY

TECHNICAL INFORMATION _ YCON - ASTM A269-A270 - AISI 316L - 1.4435-BN2 - 0,4 Ra INT - 0,8 Ra EXT



SIZE	CODE	L mm (inch)	De mm (inch)	Df mm (inch)	Di mm (inch)
A012 (1/2")	YCON-0012-0012-A0000	12,00 (0,47)	55,00 (2,17)	25,00 (0,98)	9,40 (0,37)
	YCON-0012-0025-A0000	25,00 (0,98)			
	YCON-0012-0038-A0000	38,00 (1,50)			
	YCON-0012-0051-A0000	51,00 (2,01)			
A019 (3/4")	YCON-0019-0012-A0000	12,00 (0,47)	55,00 (2,17)	25,00 (0,98)	15,75 (0,62)
	YCON-0019-0025-A0000	25,00 (0,98)			
	YCON-0019-0038-A0000	38,00 (1,50)			
	YCON-0019-0051-A0000	51,00 (2,01)			
A025 (1")	YCON-0025-0012-A0000	12,00 (0,47)	85,00 (3,35)	50,40 (1,98)	22,10 (0,87)
	YCON-0025-0025-A0000	25,00 (0,98)			
	YCON-0025-0038-A0000	38,00 (1,50)			
	YCON-0025-0051-A0000	51,00 (2,01)			
A038 (1,1/2")	YCON-0038-0012-A0000	12,00 (0,47)	85,00 (3,35)	50,40 (1,98)	34,80 (1,37)
	YCON-0038-0025-A0000	25,00 (0,98)			
	YCON-0038-0038-A0000	38,00 (1,50)			
	YCON-0038-0051-A0000	51,00 (2,01)			
A050 (2")	YCON-0050-0015-A0000	12,00 (0,47)	100,00 (3,94)	63,90 (2,52)	47,50 (1,87)
	YCON-0050-0025-A0000	25,00 (0,98)			
	YCON-0050-0038-A0000	38,00 (1,50)			
	YCON-0050-0051-A0000	51,00 (2,01)			
A063 (2,1/2")	YCON-0063-0015-A0000	12,00 (0,47)	112,00 (4,41)	77,40 (3,05)	60,20 (2,37)
	YCON-0063-0025-A0000	25,00 (0,98)			
	YCON-0063-0038-A0000	38,00 (1,50)			
	YCON-0063-0051-A0000	51,00 (2,01)			

SIZE	CODE	L mm (inch)	De mm (inch)	Df mm (inch)	Di mm (inch)
A076 (3")	YCON-0076- 0015 -A0000	12,00 (0,47)	131,00 (5,16)	90,90 (3,58)	72,90 (2,87)
	YCON-0076- 0025 -A0000	25,00 (0,98)			
	YCON-0076- 0038 -A0000	38,00 (1,50)			
	YCON-0076- 0051 -A0000	51,00 (2,01)			
A100 (4")	YCON-0100- 0015 -A0000	12,00 (0,47)	170,00 (6,69)	118,90 (4,68)	97,39 (3,83)
	YCON-0100- 0025 -A0000	25,00 (0,98)			
	YCON-0100- 0038 -A0000	38,00 (1,50)			
	YCON-0100- 0051 -A0000	51,00 (2,01)			

Welding Plate Material: 1.4435-BN2 (Low ferrite and low sulphur also according to ASME BPE requirements)

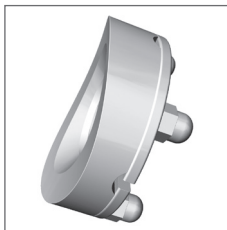
Locking Ring Material: 1.4404

Bolts & Nuts: 1.4404 / 1.4301

Internal finishing: 0,4 Ra

External finishing: 0,8 Ra

ON REQUEST



Possibility to deliver "already machined rounded plates" to be able to copy the internal shape of the vessel achieving the highest customers requirements. Customers will have a great benefit in terms of quality and cost saving on vessel manufacturing



Multiport monoblock (CADLID)
Tank covers machined from solid, no weldings, cost saving on vessel manufacturing and higher quality achieved.