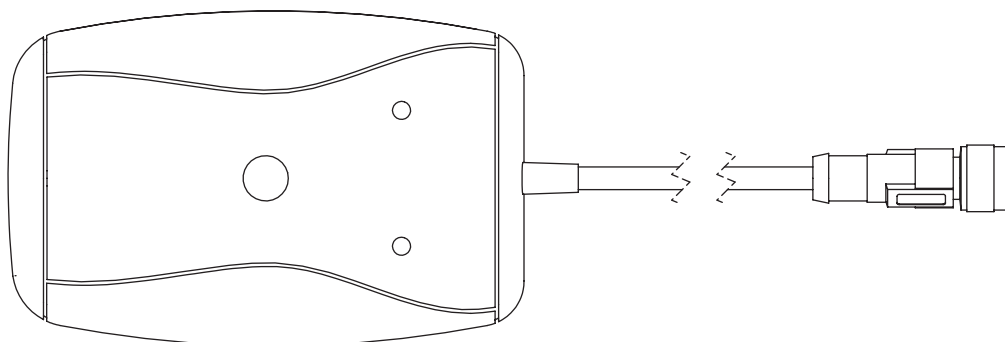


TECHNICAL INFORMATION \_ CAT. N. YACT SENP 0XC0 X0000

## CAD PROGRAMMER



.....

Clean and Aseptic Valves of CAD Product Line have simple and safe design, with their full drainability, without asymptotic seal and dead leg, are offering fast cleanability and sterilization practices. They are designed to fulfill stringent demands of CIP-SIP and Production Cycles on Aseptic Processing.

**CAD Programmer** is a useful tool for fast and easy programming of CAD Double Position Sensor also while the valve is working. After connecting to the sensor, programming can be achieved just pushing 3 times the single pulsant: once to start programming, then for save closure point detection when actuator is on closed position and then a third time for saving the open position when the actuator is in correspondence of the open position. This programming require just few seconds

.....

CODE	SUITABLE FOR CAD SENSOR	Cable Length mm (inch)
YACT-SENP-0XC0-X0000	XACT-SEND-0XX0-X0000	2,00 (79)

**SPECIFICATION:**

<b>MATERIAL</b>	ABS
-----------------	-----

**Design Temperature:** 10 to 40 °C (50 to 104 °F)

**Application Areas:** SAFE

**Power Supply:** 9V Battery included

**Packaging:** CAD Programmer is sealed in plastic bags and packaged in a closed box

**Quality Control:** Quality Assurance System guarantees the control and traceability of the product.

**Orders and Information:** For additional information or to place a order call your nearest Distributor or visit [www.rattiinox.com](http://www.rattiinox.com)