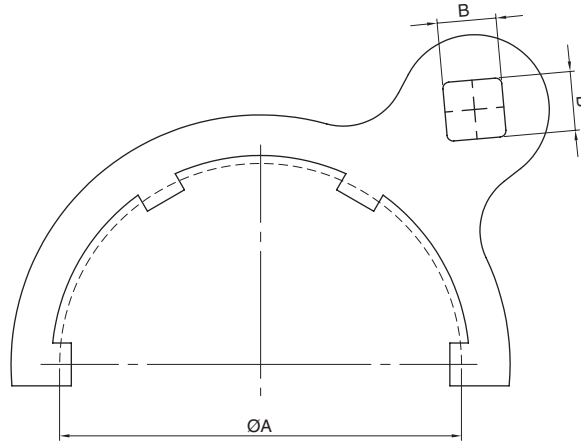


TECHNICAL INFORMATION _ CAT. N. YACT WRSS 0##0 0000S

CAD WRENCH



Clean and Aseptic Valves of CAD Product Line have simple and safe design, with their full drainability, without asymptotic seal and dead leg, are offering fast cleanability and sterilization practices. They are designed to fulfill stringent demands of CIP-SIP and Production Cycles on Aseptic Processing.

CAD Wrench, manufactured from solid stock in AISI 316L – 1.4404, engineered to achieve a perfect load on CAD Diaphragms and Actuators. Minimum torque level as indicated in the following table.

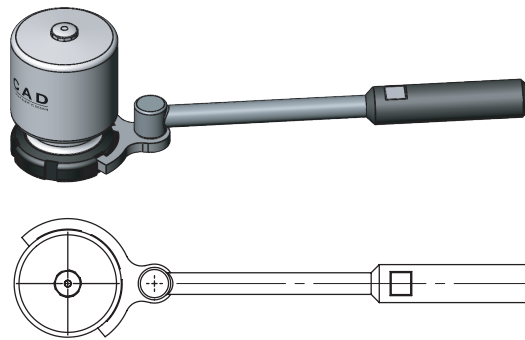
CODE	CAD SIZE	A mm (inch)	B mm (inch)	PTFE min.torque Nm (lbf-ft)	EPDM min.torque Nm (lbf-ft)	SILICONE min.torque Nm (lbf-ft)
YACT- WRSS -0120-0000S	A12 (1/2")	42,00 (1.65)	12,70 (1/2")	90 (66)	60 (44)	60 (44)
YACT- WRSS -0190-0000S	A19 (3/4")	60,00 (2.36)	12,70 (1/2")	130 (95)	80 (59)	80 (59)
YACT- WRSS -0250-0000S	A25 (1")	80,00 (3.15)	12,70 (1/2")	140 (103)	90 (66)	90 (66)
YACT- WRSS -0380-0000S	(3/4")	99,00 (3.90)	12,70 (1/2")	150 (110)	100 (74)	100 (74)
YACT- WRSS -0500-0000S	A50 (2")	119,00 (4.69)	12,70 (1/2")	190 (140)	110 (81)	110 (81)
YACT- WRSS -0630-0000S	A63 (2.1/2")	143,00 (5.63)	12,70 (1/2")	200 (148)	120 (89)	120 (89)
YACT- WRSS -0760-0000S	A76 (3")	168,00 (6.61)	12,70 (1/2")	220 (162)	130 (96)	130 (96)
YACT- WRSS -0000-0000S	A00 (4")	198,00 (7.80)	12,70 (1/2")	240 (177)	NOT AVAILABLE	NOT AVAILABLE

SPECIFICATION:

MATERIAL	AISI 316L – 1.4404
-----------------	--------------------

Correct use: Keep torque tool aligned with CAD Wrench as shown, to apply the correct torque.

Torque tool not included. Standard torque tool with standard 1/2" socket can be used.



Additional information: After first or second SIP cycle, please check torque level or tight again CAD Ring.

Packaging: CAD Wrench is sealed in plastic bags and packaged in a closed box.

Quality Control: Quality Assurance System guarantees the control and traceability of the product.

Orders and Information: For additional information or to place an order call your nearest Distributor or visit www.rattiinox.com