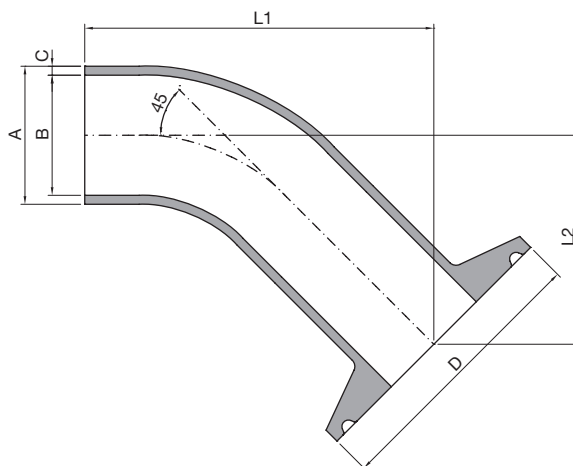


TECHNICAL INFORMATION \_ CAT. N. YBPE 6A## TC-#

## 45° TRI-CLAMP EXTENDED CONNECTION



Clean and Aseptic Valves of CAD Product Line have simple and safe design, with their full drainability, without asymptotic seal and dead leg, are offering fast cleanability and sterilization practices. They are designed to fulfil stringent demands of CIP-SIP and Production Cycles on Aseptic Processing.

**45° Tri-Clamp Fittings Upgrade.** Design according to ASME-BPE regulation. Tri-Clamp machined from low ferrite and low sulphur 1.4435 material, elbow material and dimensions according to ASME BPE.

CODE	CAD SIZE	TC SIZE	A mm (inch)	B mm (inch)	C mm (inch)	D mm (inch)	L1 mm (inch)	L2 mm (inch)	n° of extensions
YBPE 6A12 TC-1	A12	1/2"	12,70 (0,50)	9,40 (0,37)	1,65 (0,065)	25,00 (0,98)	44,00 (1,73)	23,50 (0,93)	1
YBPE 6A12 TC-2									2
YBPE 6A12 TC-3									3
YBPE 6A12 TC-4									4
YBPE 6A19 TC-1	A19	3/4"	19,05 (0,75)	15,75 (0,62)	1,65 (0,065)	25,00 (0,98)	44,00 (1,73)	23,50 (0,93)	1
YBPE 6A19 TC-2									2
YBPE 6A19 TC-3									3
YBPE 6A19 TC-4									4
YBPE 6A25 TC-1	A25	1"	25,40 (1,00)	22,10 (0,87)	1,65 (0,065)	50,40 (1,98)	64,00 (2,52)	38,00 (1,50)	1
YBPE 6A25 TC-2									2
YBPE 6A25 TC-3									3
YBPE 6A25 TC-4									4
YBPE 6A38 TC-1	A38	1,1/2"	38,10 (1,50)	34,80 (1,37)	1,65 (0,065)	50,40 (1,98)	77,50 (3,05)	44,00 (1,73)	1
YBPE 6A38 TC-2									2
YBPE 6A38 TC-3									3
YBPE 6A38 TC-4									4

CODE	CAD SIZE	TC SIZE	A mm (inch)	B mm (inch)	C mm (inch)	D mm (inch)	L1 mm (inch)	L2 mm (inch)	n° of extensions
YBPE 6A50 TC-1	A50	2"	50,80 (2,00)	47,50 (1,87)	1,65 (0,065)	64,00 (2,52)	99,50 (3,92)	53,00 (2,09)	1
YBPE 6A50 TC-2									2
YBPE 6A50 TC-3									3
YBPE 6A50 TC-4									4
YBPE 6A63 TC-1	A63	2,1/2"	63,50 (2,50)	60,20 (2,37)	1,65 (0,065)	77,50 (3,05)	113,00 (4,45)	58,50 (2,30)	1
YBPE 6A63 TC-2									2
YBPE 6A63 TC-3									3
YBPE 6A63 TC-4									4
YBPE 6A76 TC-1	A76	3"	76,20 (3,00)	72,90 (2,87)	1,65 (0,065)	91,00 (3,58)	177,00 (6,97)	85,00 (3,35)	1
YBPE 6A76 TC-2									2
YBPE 6A76 TC-3									3
YBPE 6A76 TC-4									4
YBPE 6A00 TC-1	A00	4"	101,60 (4,00)	97,39 (3,83)	2,11 (0,083)	119,00 (4,69)	215,00 (8,47)	101,00 (3,98)	1
YBPE 6A00 TC-2									2
YBPE 6A00 TC-3									3
YBPE 6A00 TC-4									4

Tri-Clamp design according to ASME BPE

Tri-Clamp material: 1.4435 - BN2

Elbow design according to ASTM® A269/270 - ASME BPE

Elbow material: AISI 316L according to ASME BPE

Optional: 1.4435 - BN2