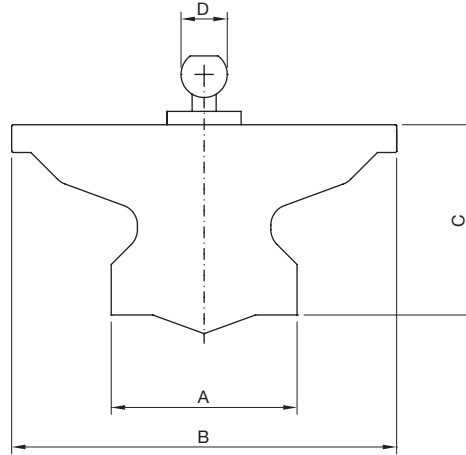


TECHNICAL INFORMATION _ CAT. N. YDIA EPDM 0000 S##00

EPDM DIAPHRAGM



Clean and Aseptic Valves of CAD Product Line have simple and safe design, with their full drainability, without asymptotic seal and dead leg, are offering fast cleanability and sterilization practices. They are designed to fulfil stringent demands of CIP-SIP and Production Cycles on Aseptic Processing.

EPDM Diaphragm (Ethylene Propylene Diene) manufactured in accordance to FDA and USP Class VI

| CODE | CAD SIZE | A mm (inch) | B mm (inch) | C mm (inch) | D mm (inch) |
|----------------------|----------|-----------------|------------------|-----------------|-----------------|
| YDIA-EPDM-0000-S1200 | A12 | 15,00 (0,58) | 28,00 (1,10) | 13,00 (0,51) | 5,00 (0,20) |
| YDIA-EPDM-0000-S1900 | A19 | 22,00 (0,87) | 41,50 (1,63) | 20,50 (0,81) | 5,00 (0,20) |
| YDIA-EPDM-0000-S2500 | A25 | 31,00 (1,22) | 58,50 (2,30) | 27,50 (1,08) | 8,00 (0,32) |
| YDIA-EPDM-0000-S3800 | A38 | 45,00 (1,77) | 72,50 (2,85) | 42,50 (1,67) | 10,00 (0,39) |
| YDIA-EPDM-0000-S5000 | A50 | 63,50 (2,50) | 93,50 (3,68) | 55,50 (2,19) | 12,00 (0,47) |
| YDIA-EPDM-0000-S6300 | A63 | 75,00 (2,95) | 109,00 (4,29) | 67,50 (2,66) | 12,00 (0,47) |
| YDIA-EPDM-0000-S7600 | A76 | 90,00 (3,54) | 126,00 (4,96) | 81,50 (3,21) | 12,00 (0,47) |

SPECIFICATION:

| | |
|-----------------|-------------------------|
| MATERIAL | EPDM FDA & USP CLASS VI |
|-----------------|-------------------------|

Design Temperature: -20 to 140 °C (-4 to 284 °F)

Application Areas: SAFE

Design Pressure: -1 to 10 bar (-14.5 to 145 psi)

Note: The applied actuator and diaphragm may have different design temperature and/or pressure limits. The weakest component determines the maximum design temperature and pressure limits, when they are assembled.

Labeling: Each diaphragm is labeled for full LOT traceability

Packaging: Diaphragm is sealed in plastic bags and packaged in a closed box with Operating and Maintenance bulletin, Certificate of Conformity and Materials Certification

Quality Control: Quality Assurance System guarantees the control and traceability of the product.

Rules Compliances: CAD valve are on going to be classified for PED Directive 97/23/EC and fulfill ASME BPE Standards

Orders and Information: For additional information or to place a order call your nearest Distributor or visit www.rattiinox.com