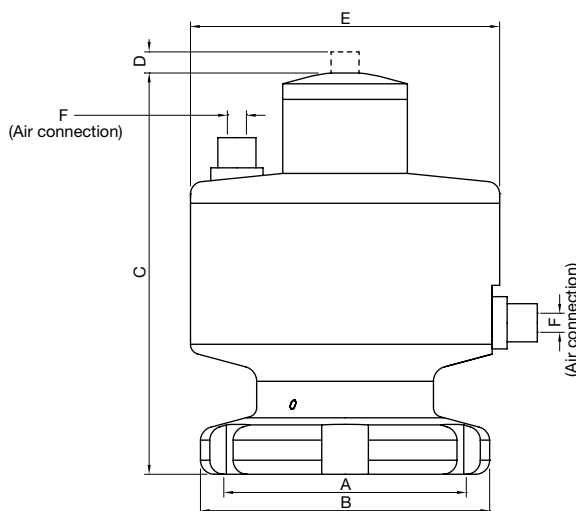


TECHNICAL INFORMATION _ CAT. N. XACT PADE 0##0 X0000

PNEUMATIC ACTUATORS DE FOR ATEX APP.



Clean and Aseptic Valves of CAD Product Line have simple and safe design, with their full drainability, without asymptotic seal and dead leg, are offering fast cleanability and sterilization practices. They are designed to fulfill stringent demands of CIP-SIP and Production Cycles on Aseptic Processing.

PADE - Pneumatic Actuator Double Effect are designed to control the PTFE diaphragm of the CAD Clean and Aseptic Valves for ATEX areas. It has few and simple moveable parts which results in a very reliable component and low maintenance cost.

CODE	A	B mm (inch)	C mm (inch)	D mm (inch)	E mm (inch)	F	SIZE
XACT-PADE-0120-X0000	M34x1	39,50 (1,56)	72,00 (2,84)	2,50 (0,10)	50,00 (1,97)	4,00	A12
XACT-PADE-0190-X0000	M50x1	58,00 (2,29)	80,50 (3,17)	4,50 (0,18)	62,00 (2,44)	4,00	A19
XACT-PADE-0250-X0000	M70x1	80,00 (3,15)	111,00 (4,37)	5,50 (0,22)	79,00 (3,11)	6,00	A25
XACT-PADE-0380-X0000	M80x1	99,00 (3,90)	140,00 (5,51)	8,50 (0,34)	99,00 (3,90)	6,00	A38
XACT-PADE-0500-X0000	M103x1,5	119,00 (4,69)	174,00 (6,85)	11,00 (0,43)	119,00 (4,69)	6,00	A50
XACT-PADE-0630-X0000	M120x1,5	143,00 (5,63)	195,00 (7,68)	14,00 (0,55)	139,00 (5,47)	6,00	A63
XACT-PADE-0760-X0000	M140x1,5	168,00 (6,61)	256,00 (10,08)	17,00 (0,67)	149,00 (5,87)	6,00	A76

SPECIFICATION:

CAD SIZE		A12	A19	A25	A38	A50	A63	A76
DESIGN PRESSURE	max(1) bar(g)	6	6	6	6	6	6	4
	max psi(g)	87	87	87	87	87	87	58
	min bar(g)	-1	-1	-1	-1	-1	-1	-1
	min psi(g)	-14	-14	-14	-14	-14	-14	-14

Max⁽¹⁾ Max. pressure in bar without leakage at the valve seat

AIR FEED PRESSURE ⁽²⁾	max(1) bar(g)	10	10	10	10	10	10	10
	max psi(g)	140	140	140	140	140	140	140
	min bar(g)	5,5	5,5	5,5	5,5	5,5	5,5	5,5
	min psi(g)	80	80	80	80	80	80	80
	Pneumatic Fast Fitting mm (in.)	M5 0,23	M5 0,23	1/8" 1/8"	1/8" 1/8"	1/8" 1/8"	1/8" 1/8"	1/8" 1/8"
Air feed tube diameter	mm	4	4	6	6	6	6	6

Compressed Air ⁽²⁾ Compressed Air must be dry and filtered to 10 micron

MATERIAL	1.4404	1.4404	1.4404	1.4404	1.4404	1.4404	1.4404
----------	--------	--------	--------	--------	--------	--------	--------

Environment Temperature: 0 to 70 °C (32 to 158 °F)

Application Areas: ATEX: II 2GD IIA T4 T135°C

Note: The applied valve body and diaphragm may have different design temperature and/or pressure limits. The weakest component determines the maximum design temperature and pressure limits, when they are assembled.

Surface Roughness: External surface Ra ≤ 0.8µm (32µinch)

Lubricant: Actuator are lubricated to workshop and don't need lubrication

Labeling: Each Actuator is labeled for full LOT traceability

Packaging: The Actuator is packaged in a closed box with Operating and Maintenance bulletin, Certificate of Conformity and Materials Certification 3.1

Quality Control: Quality Assurance System guarantees the control and traceability of the product.

Options: For non-standard Actuator Options, please contact us for further information.

Orders and Information: For additional information or to place a order call your nearest Distributor or visit www.rattiinox.com