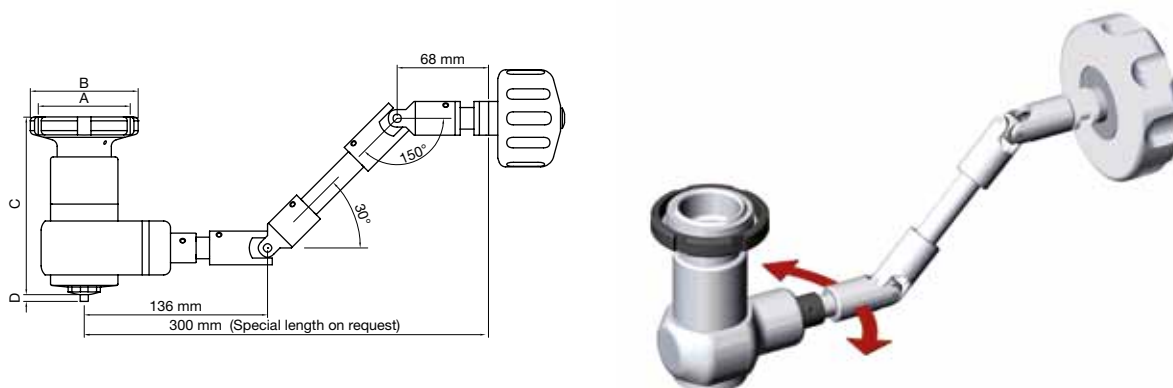


TECHNICAL INFORMATION \_ CAT. N. XACT HNKX 0##0 X0000

## 90° EXTENDED HAND KNOB 2 CARDANS VERSION FOR ATEX APP.



.....

Clean and Aseptic Valves of CAD Product Line have simple and safe design, with their full drainability, without asymptotic seal and dead leg, are offering fast cleanability and sterilization practices. They are designed to fulfill stringent demands of CIP-SIP and Production Cycles on Aseptic Processing.

**HNKX** - 90° Extended Hand Knob is designed to control the CAD Clean and Aseptic Valves on ATEX areas for all application where a more comfortable or safe management is required, such as on CAD Bottom Tank Valves. It has few and simple moveable parts which results in a very reliable component and low maintenance cost. The 2 Cardans Version is the optimal solution to reach a comfortable handling position avoiding difficult operating conditions. Standard extension of 300 mm but special lengths available on request. Rotating system as standard for an easier assembling and ready to be connected to the CAD Double Position Sensor (H060: XACT-SEND-0XX0-X0000).

.....

CODE	A	B mm (inch)	C mm (inch)	D mm (inch)	SIZE
XACT-HNKX-0250-X0000	M70x1	80,00 (3,15)	126,00 (4,96)	5,50 (0,22)	A25
XACT-HNKX-0380-X0000	M80x1	99,00 (3,90)	151,00 (5,95)	8,50 (0,34)	A28
XACT-HNKX-0500-X0000	M103x1,5	119,00 (4,69)	165,50 (6,52)	11,00 (0,43)	A50

**SPECIFICATION:**

CAD SIZE		A25	A38	A50				
MATERIAL	body	1.4404	1.4404	1.4404				
	locking ring	1.4404	1.4404	1.4404				
	hand knob	1.4404	1.4404	1.4404				
DESIGN PRESSURE	max(1) bar(g)	6	6	6				
	max psi(g)	87	87	87				
	min bar(g)	-1	-1	-1				
	min psi(g)	-14	-14	-14				

**Environment Temperature:** are autoclavable 135° C

**Application Areas:** ATEX: II 2GD IIA T4 T135°C

**Note:** The applied valve body and diaphragm may have different design temperature and/or pressure limits. The weakest component determines the maximum design temperature and pressure limits, when they are assembled.

**Surface Roughness:** External surface Ra ≤ 0.8µm (32µinch)

**Lubricant:** Actuator are lubricated to workshop and don't need lubrication

**Labeling:** Each Actuator is labeled for full LOT traceability

**Packaging:** The Actuator is packaged in a closed box with Operating and Maintenance bulletin, Certificate of Conformity and Materials Certification 3.1

**Quality Control:** Quality Assurance System guarantees the control and traceability of the product.

**Options:** For non-standard Actuator Options or special length, please contact us for further information.

**Orders and Information:** For additional information or to place a order call your nearest Distributor or visit [www.rattiinox.com](http://www.rattiinox.com)