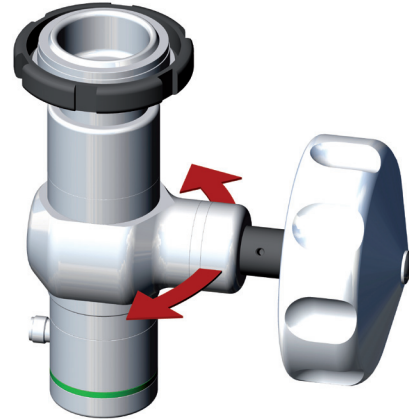
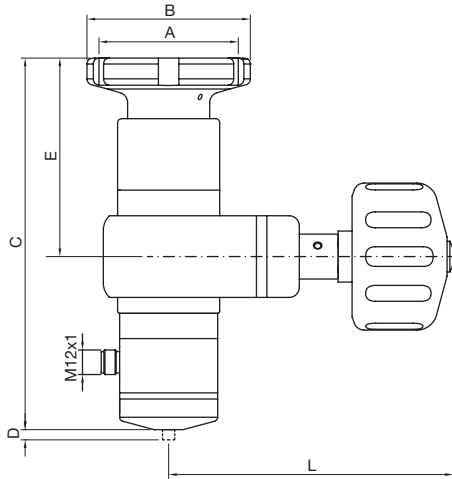


TECHNICAL INFORMATION \_ CAT. N. YACT HNDS 0##0 X0000

## 90° HAND KNOB WITH SENSOR



Clean and Aseptic Valves of CAD Product Line have simple and safe design, with their full drainability, without asymptotic seal and dead leg, are offering fast cleanability and sterilization practices. They are designed to fulfil stringent demands of CIP-SIP and Production Cycles on Aseptic Processing.

**HNDS** - 90° Hand Knob with sensor is designed to control the CAD Clean and Aseptic Valves on SAFE areas for all application where a double position sensor is required. It has few and simple moveable parts which results in a very reliable component and low maintenance cost. Rotating system as standard for an easier assembling. For additional informations on CAD Double position sensore please see H060: YACT-SEND-0XX0-X0000.

CODE	A	B mm (inch)	C mm (inch)	D mm (inch)	E mm (inch)	L mm (inch)	SIZE
YACT-HNDS-0250-X0000	M70x1	80,00 (3,15)	176,00 (6,93)	5,50 (0,22)	97,00 (3,82)	140,00 (5,51)	A25
YACT-HNDS-0380-X0000	M80x1	99,00 (3,90)	201,00 (7,91)	8,50 (0,34)	116,50 (4,59)	140,00 (5,51)	A28
YACT-HNDS-0500-X0000	M103x1,5	119,00 (4,69)	215,50 (0,43)	11,00 (0,43)	131,00 (5,16)	140,00 (5,51)	A50

**SPECIFICATION:**

CAD SIZE		A25	A38	A50				
MATERIAL	body	1.4404	1.4404	1.4404				
	locking ring	1.4404	1.4404	1.4404				
	hand knob	PTFE	PTFE	PTFE				
DESIGN PRESSURE	max(1) bar(g)	6	6	6				
	max psi(g)	87	87	87				
	min bar(g)	-1	-1	-1				
	min psi(g)	-14	-14	-14				

**Environment Temperature:** -10 to 80°C (14 to 176°F)

**Application Areas:** SAFE

**Note:** The applied valve body and diaphragm may have different design temperature and/or pressure limits. The weakest component determines the maximum design temperature and pressure limits, when they are assembled.  
For additional informations on CAD Double position sensore please see H060: YACT-SEND-0XX0-X0000.

**Surface Roughness:** External surface  $R_a \leq 0.8\mu\text{m}$  (32 $\mu\text{inch}$ )

**Lubricant:** Actuator are lubricated to workshop and don't need lubrication

**Labeling:** Each Actuator is labeled for full LOT traceability

**Packaging:** The Actuator is packaged in a closed box with Operating and Maintenance bulletin, Certificate of Conformity and Materials Certification 3.1

**Quality Control:** Quality Assurance System guarantees the control and traceability of the product.

**Options:** For non-standard Actuator Options or special length, please contact us for further information.

**Orders and Information:** For additional information or to place a order call your nearest Distributor or visit [www.rattiinox.com](http://www.rattiinox.com)