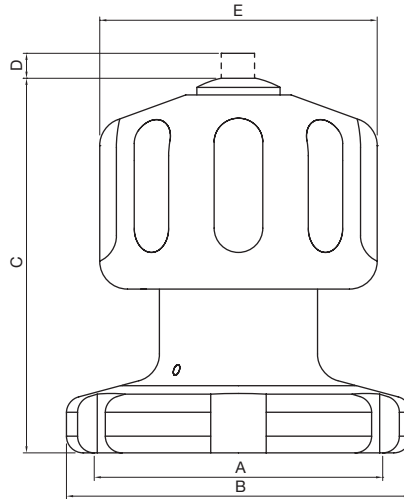


TECHNICAL INFORMATION _ CAT. N. YACT HNKN 0##0 X0000

MANUAL ACTUATORS



Clean and Aseptic Valves of CAD Product Line have simple and safe design, with their full drainability, without asymptotic seal and dead leg, are offering fast cleanability and sterilization practices. They are designed to fulfill stringent demands of CIP-SIP and Production Cycles on Aseptic Processing.

HNKN - Manual Actuator are designed to control the PTFE diaphragm of the CAD Clean and Aseptic Valves on SAFE areas. It has few and simple moveable parts which results in a very reliable component and low maintenance cost. For applications with CAD Double Position Sensor, please see H008: YACT HNDS 0##0 X000.

CODE	A	B mm (inch)	C mm (inch)	D mm (inch)	E mm (inch)	SIZE
YACT-HNKN-0120-X0000	M34x1	39,50 (1,56)	62,00 (2,44)	2,50 (0,10)	39,50 (1,56)	A12
YACT-HNKN-0190-X0000	M50x1	58,00 (2,29)	68,00 (2,68)	4,50 (0,18)	50,00 (1,97)	A19
YACT-HNKN-0250-X0000	M70x1	80,00 (3,15)	82,00 (3,23)	5,50 (0,22)	72,00 (2,84)	A25
YACT-HNKN-0380-X0000	M80x1	99,00 (3,90)	101,50 (4,00)	8,50 (0,34)	110,00 (4,33)	A38
YACT-HNKN-0500-X0000	M103x1,5	119,00 (4,69)	115,50 (4,55)	11,00 (0,43)	110,00 (4,33)	A50

SPECIFICATION:

CAD SIZE		A12	A19	A25	A38	A50		
MATERIAL	body	1.4404	1.4404	1.4404	1.4404	1.4404		
	locking ring	1.4404	1.4404	1.4404	1.4404	1.4404		
	hand knob	PTFE	PTFE	PTFE	PTFE	PTFE		
DESIGN PRESSURE	max(1) bar(g)	6	6	6	6	6		
	max psi(g)	87	87	87	87	87		
	min bar(g)	-1	-1	-1	-1	-1		
	min psi(g)	-14	-14	-14	-14	-14		

Environment Temperature: are autoclavable 135° C

Application Areas: SAFE

Note: The applied valve body and diaphragm may have different design temperature and/or pressure limits. The weakest component determines the maximum design temperature and pressure limits, when they are assembled.

Surface Roughness: External surface Ra ≤ 0.8µm (32µinch)

Lubricant: Actuator are lubricated to workshop and don't need lubrication

Labeling: Each Actuator is labeled for full LOT traceability

Packaging: The Actuator is packaged in a closed box with Operating and Maintenance bulletin, Certificate of Conformity and Materials Certification 3.1

Quality Control: Quality Assurance System guarantees the control and traceability of the product.

Options: For non-standard Actuator Options, please contact us for further information.

Orders and Information: For additional information or to place a order call your nearest Distributor or visit www.rattiinox.com