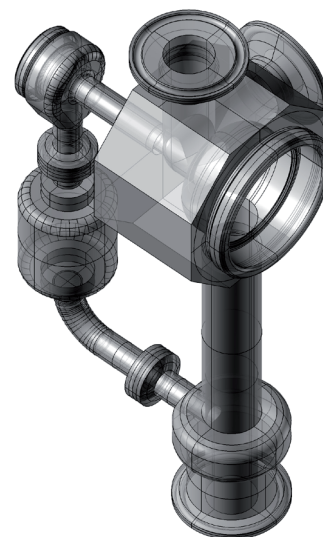
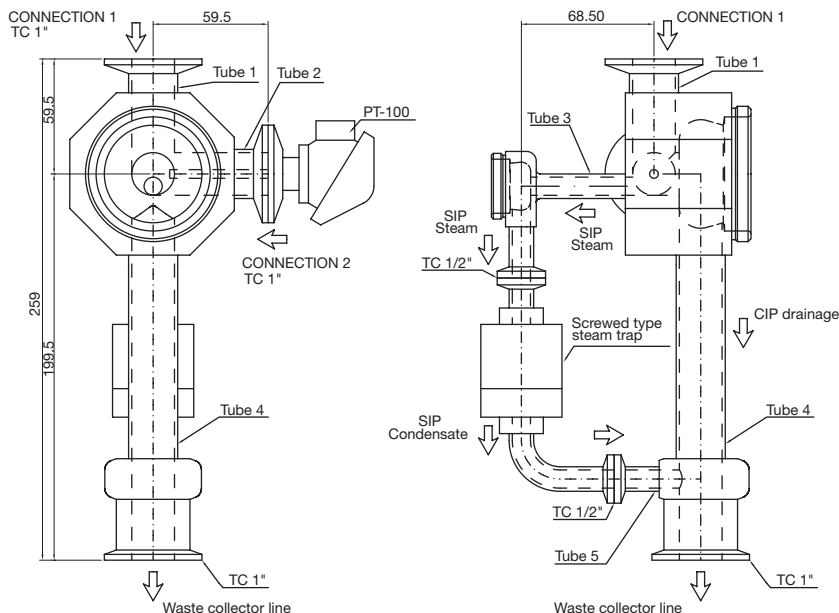


TECHNICAL INFORMATION _ CAT. N. YC25 SOCL SOCL A2512

BOTTOM POINT ASSEMBLY TYPE C

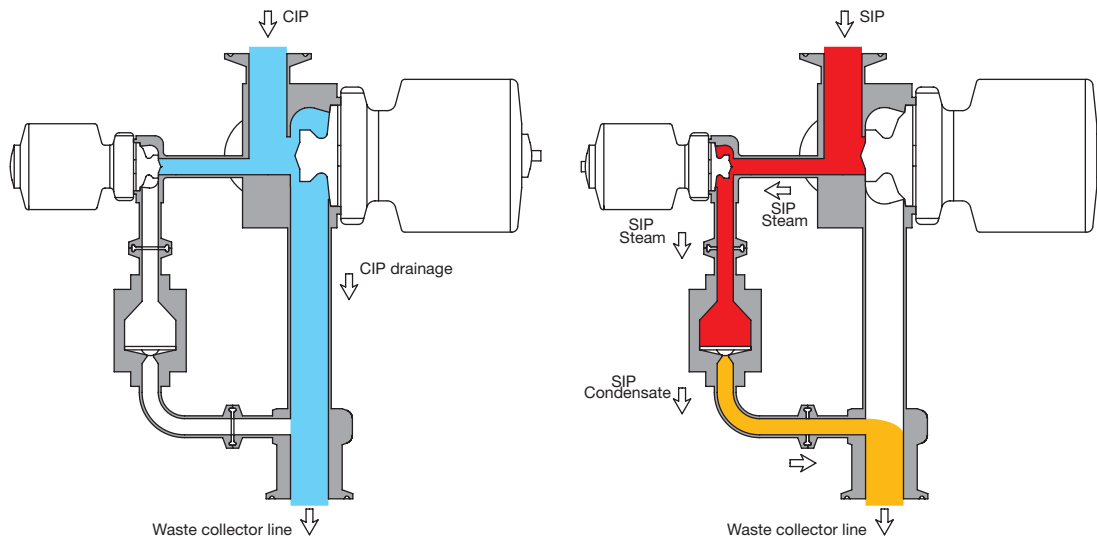


Clean and Aseptic Valves of CAD Product Line have simple and safe design, with their full drainability, without asymptotic seal and dead leg, are offering fast cleanability and sterilization practices. They are designed to fulfill stringent demands of CIP-SIP and Production Cycles on Aseptic Processing.

Bottom Point Assembly for SAFE areas engineered to give the best solution for the typical point of CIP and SIP drainages management in one tool ready to use. Body shape and their internal design offer a very reliable component for Aseptic Processing Application. Developed for screwed type condensate trap. Standard version made with Tri-Clamp connections. PT-100 on request.

NOMINAL DIMENSION	A1	A2	TUBE 1* mm (inch)	TUBE 2* mm (inch)	TUBE 3* mm (inch)	TUBE 4* mm (inch)	TUBE 5* mm (inch)
YC25-SOCL-SOCL-A2512	A25-M70x1	A12-M34x1	25,40x1,65 (1,00x0,065)	25,40x1,65 (1,00x0,065)	12,70x1,65 (0,50x0,065)	25,40x1,65 (1,00x0,065)	12,70x1,65 (0,50x0,065)

(*) US Tube ASTM® A269/270 – ASME BPE

SPECIFICATION:


CAD VALVE POSITION	A1	A2					
CAD VALVE SIZE	A25	A12					

Design Temperature: -80 to 200 °C (-112 to 392 °F)

Application Areas: SAFE

Design Pressure, Valve Body: -1 to 10 bar (-14.5 to 145 psi)

Note: The applied actuator and diaphragm may have different design temperature and/or pressure limits. The weakest component determines the maximum design temperature and pressure limits, when they are assembled.

Surface Roughness: Internal surface (manually polished) $Ra \leq 0.3\mu m$ (16 μin)
 External surface $Ra \leq 0.5\mu m$ (20 μin)

Surface Treatment: Available also on EP version - Elettropolishing after manual polished

Labeling: Each valve body is labeled for full LOT traceability

Packaging: Valve body is sealed in plastic bags and packaged in a closed box with Operating and Maintenance bulletin, Certificate of Conformity and Materials Certification 3.1

Quality Control: Quality Assurance System guarantees the control and traceability of the product.

Rules Compliances: CAD valve are on going to be classified for PED Directive 97/23/EC and fulfill ASME BPE Standards

Standard design: Shut Off bodies are available also to 180°, tangential outlet Left or Right

Options: For non-standard CAD Valve body Options, please contact us for further information.

Orders and Information: For additional information or to place a order call your nearest Distributor or visit www.rattiinox.com

Vertical Assembly

