

VALVES ON PIPE

A
B
C
D
E
F
G
H
I
J

F 005

Coaxial Shut Off 90
Valve 12 On Pipe

F 010

Coaxial Shut Off 90
Valve 19 On Pipe

F 015

Coaxial Shut Off 90
Valve 25 On Pipe

F 020

Coaxial Shut Off 90
Valve 38 On Pipe

F 025

Coaxial Shut Off 90
Valve 50 On Pipe

F 040

Shut Off 90
Valve 12 Tang. On Pipe

F 045

Shut Off 90
Valve 19 Tang. On Pipe

F 050

Shut Off 90
Valve 25 Tang. On Pipe

F 055

Shut Off 90
Valve 38 Tang. On Pipe

F 060

Shut Off 90
Valve 50 Tang. On Pipe

F 070

Coaxial Shut Off 90
Valve 12 On Pipe + Sip Valve 12

F 075

Coaxial Shut Off 90
Valve 19 On Pipe + Sip Valve 12

F 080

Coaxial Shut Off 90
Valve 25 On Pipe + Sip Valve 12

F 085

Coaxial Shut Off 90
Valve 38 On Pipe + Sip Valve 12

F 105

Tangential Shut Off 90
Valve 12 On Pipe + Sip Valve 12

F 110

Tangential Shut Off 90
Valve 19 On Pipe + Sip Valve 12

F 115

Tangential Shut Off 90
Valve 25 On Pipe + Sip Valve 12

F 120

Tangential Shut Off 90
Valve 38 On Pipe + Sip Valve 12

F 135

Coaxial Flow Through 180
Valve 12 On Pipe

F 140

Coaxial Flow Through 180
Valve 19 On Pipe

F 145

Coaxial Flow Through 180
Valve 25 On Pipe

F 150

Coaxial Flow Through 180
Valve 38 On Pipe

F 155

Coaxial Flow Through 180
Valve 50 On Pipe

F 170

Flow Through 180
Valve 12 Tang. On Pipe

F 175

Flow Through 180
Valve 19 Tang. On Pipe

F 180

Flow Through 180
Valve 25 Tang. On Pipe

F 185

Flow Through 180
Valve 38 Tang. On Pipe

F 190

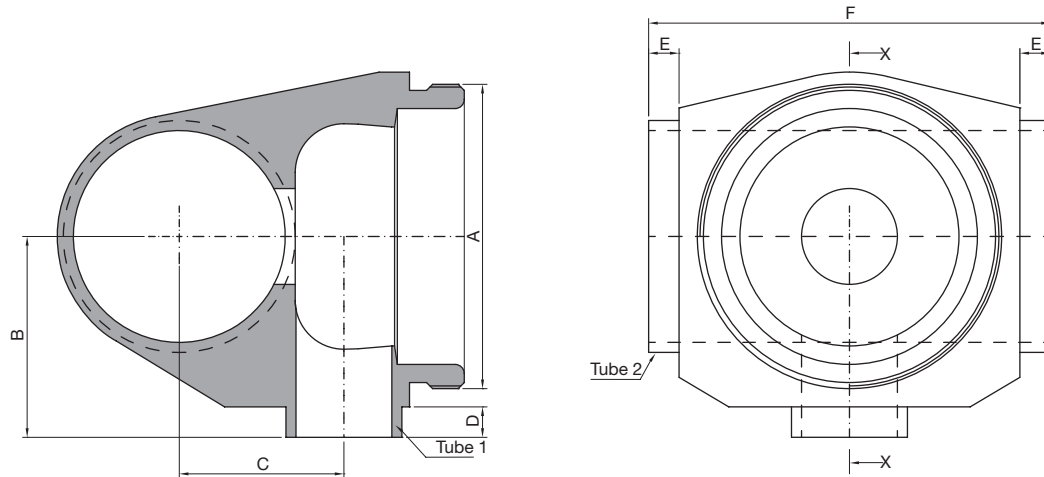
Flow Through 180
Valve 50 Tang. On Pipe

F 200

Double Shut Off Valve On Line
Opposite Outlet

TECHNICAL INFORMATION _ CAT. N. YP## SOCL 0000 A1200

COAXIAL SHUT OFF 90 VALVE 12 ON PIPE



Clean and Aseptic Valves of CAD Product Line have simple and safe design, with their full drainability, without asymptotic seal and dead leg, are offering fast cleanability and sterilization practices. They are designed to fulfill stringent demands of CIP-SIP and Production Cycles on Aseptic Processing.

YP## - SOCL - Coaxial Shut Off on Pipe Valves for SAFE areas designed to feed or take off fluids or gases from the process piping with Zero dead leg. Body shape with flush flow seal on pipe and their internal design offer a very reliable component for Aseptic Processing Application. Standard version are short butt weld ends but, on demand, may be delivered for orbital welding or with Tri-Clamp connections.

CODE	A	B mm (inch)	C mm (inch)	D mm (inch)	E mm (inch)	F mm (inch)	TUBE 1* mm (inch)	TUBE 2* mm (inch)
YP12-SOCL-0000-A1200	M34x1	26,00 (1,02)	11,00 (0,43)	5,00 (0,20)	8,00 (0,32)	52,00 (2,05)	12,70x1,65 (0,50x0,065)	12,70x1,65 (0,50x0,065)
YP19-SOCL-0000-A1200	M34x1	26,00 (1,02)	14,00 (0,55)	5,00 (0,20)	8,00 (0,32)	52,00 (2,05)	12,70x1,65 (0,50x0,065)	19,05x1,65 (0,75x0,065)
YP25-SOCL-0000-A1200	M34x1	26,00 (1,02)	17,50 (0,69)	5,00 (0,20)	8,00 (0,32)	52,00 (2,05)	12,70x1,65 (0,50x0,065)	25,40x1,65 (1,00x0,065)
YP38-SOCL-0000-A1200	M34x1	26,00 (1,02)	23,50 (0,93)	5,00 (0,20)	8,00 (0,32)	52,00 (2,05)	12,70x1,65 (0,50x0,065)	38,10x1,65 (1,50x0,065)
YP50-SOCL-0000-A1200	M34x1	31,00 (1,22)	30,00 (1,18)	5,00 (0,20)	8,00 (0,32)	52,00 (2,05)	12,70x1,65 (0,50x0,065)	50,80x1,65 (2,00x0,065)
YP63-SOCL-0000-A1200	M34x1	38,00 (1,50)	36,50 (1,44)	5,00 (0,20)	8,00 (0,32)	52,00 (2,05)	12,70x1,65 (0,50x0,065)	63,50x1,65 (2,50x0,065)
YP76-SOCL-0000-A1200	M34x1	44,00 (1,73)	43,00 (1,69)	5,00 (0,20)	8,00 (0,32)	52,00 (2,05)	12,70x1,65 (0,50x0,065)	76,20x1,65 (3,00x0,065)

(*) US Tube ASTM® A269/270 – ASME BPE

SPECIFICATION:

CADE SIZE	A12						
------------------	-----	--	--	--	--	--	--

NET VOLUME⁽¹⁾	ml	2,86					
---------------------------------	----	------	--	--	--	--	--

⁽¹⁾ Internal valve cavity only, with diaphragm on site

MATERIAL	1,4435-BN2 - Low Ferrite - Low Sulphur						
-----------------	--	--	--	--	--	--	--

Design Temperature: -80 to 200 °C (-112 to 392 °F)

Application Areas: SAFE

Design Pressure, Valve Body: -1 to 10 bar (-14.5 to 145 psi)

Note: The applied actuator and diaphragm may have different design temperature and/or pressure limits. The weakest component determines the maximum design temperature and pressure limits, when they are assembled.

Surface Roughness: Internal surface (manually polished) Ra ≤ 0.3µm (16µin)
External surface Ra ≤ 0.5µm (20µin)

Surface Treatment: Available also on EP version - Elettropolishing after manual polished

Labeling: Each valve body is labeled for full LOT traceability

Packaging: Valve body is sealed in plastic bags and packaged in a closed box with Operating and Maintenance bulletin, Certificate of Conformity and Materials Certification 3.1

Quality Control: Quality Assurance System guarantees the control and traceability of the product.

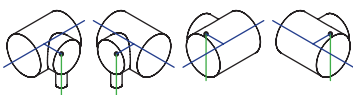
Rules Compliances: CAD valve are on going to be classified for PED Directive 97/23/EC and fulfill ASME BPE Standards

Standard design: Shut Off bodies are available also to 180°, tangential outlet Left or Right

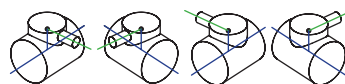
Options: For non-standard CAD Valve body Options, please contact us for further information.

Orders and Information: For additional information or to place a order call your nearest Distributor or visit www.rattiinox.com

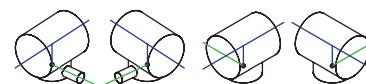
Horizontal Assembly



Vertical Assembly

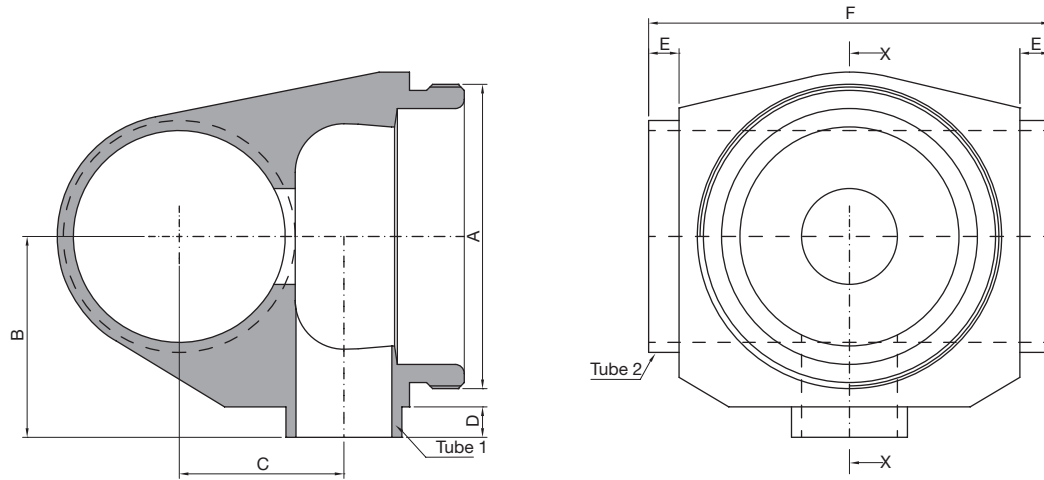


Upside-Down Assembly



TECHNICAL INFORMATION _ CAT. N. YP## SOCL 0000 A1900

COAXIAL SHUT OFF 90 VALVE 19 ON PIPE



Clean and Aseptic Valves of CAD Product Line have simple and safe design, with their full drainability, without asymptotic seal and dead leg, are offering fast cleanability and sterilization practices. They are designed to fulfill stringent demands of CIP-SIP and Production Cycles on Aseptic Processing.

YP## - SOCL - Coaxial Shut Off on Pipe Valves for SAFE areas designed to feed or take off fluids or gases from the process piping with Zero dead leg. Body shape with flush flow seal on pipe and their internal design offer a very reliable component for Aseptic Processing Application. Standard version are short butt weld ends but, on demand, may be delivered for orbital welding or with Tri-Clamp connections.

CODE	A	B mm (inch)	C mm (inch)	D mm (inch)	E mm (inch)	F mm (inch)	TUBE 1* mm (inch)	TUBE 2* mm (inch)
YP19-SOCL-0000-A1900	M50x1	33,00 (1,30)	17,50 (0,69)	5,00 (0,20)	8,00 (0,32)	66,00 (2,60)	19,50x1,65 (0,75x0,065)	19,50x1,65 (0,75x0,065)
YP25-SOCL-0000-A1900	M50x1	33,00 (1,30)	21,00 (0,83)	5,00 (0,20)	8,00 (0,32)	66,00 (2,60)	19,50x1,65 (0,75x0,065)	25,40x1,65 (1,00x0,065)
YP38-SOCL-0000-A1900	M50x1	33,00 (1,30)	27,00 (1,06)	5,00 (0,20)	8,00 (0,32)	66,00 (2,60)	19,50x1,65 (0,75x0,065)	38,10x1,65 (1,50x0,065)
YP50-SOCL-0000-A1900	M50x1	33,00 (1,30)	33,50 (1,32)	5,00 (0,20)	8,00 (0,32)	66,00 (2,60)	19,50x1,65 (0,75x0,065)	50,80x1,65 (2,00x0,065)
YP63-SOCL-0000-A1900	M50x1	38,00 (1,30)	40,00 (1,58)	5,00 (0,20)	8,00 (0,32)	66,00 (2,60)	19,50x1,65 (0,75x0,065)	63,50x1,65 (2,50x0,065)
YP76-SOCL-0000-A1900	M50x1	44,00 (1,73)	46,00 (1,81)	5,00 (0,20)	8,00 (0,32)	66,00 (2,60)	19,50x1,65 (0,75x0,065)	76,20x1,65 (3,00x0,065)

(*) US Tube ASTM® A269/270 – ASME BPE

SPECIFICATION:

CADE SIZE	A19						
------------------	-----	--	--	--	--	--	--

NET VOLUME⁽¹⁾	ml	10,23					
---------------------------------	----	-------	--	--	--	--	--

⁽¹⁾ Internal valve cavity only, with diaphragm on site

MATERIAL	1,4435-BN2 - Low Ferrite - Low Sulphur						
-----------------	--	--	--	--	--	--	--

Design Temperature: -80 to 200 °C (-112 to 392 °F)

Application Areas: SAFE

Design Pressure, Valve Body: -1 to 10 bar (-14.5 to 145 psi)

Note: The applied actuator and diaphragm may have different design temperature and/or pressure limits. The weakest component determines the maximum design temperature and pressure limits, when they are assembled.

Surface Roughness: Internal surface (manually polished) $Ra \leq 0.3\mu m$ (16 μin)
External surface $Ra \leq 0.5\mu m$ (20 μin)

Surface Treatment: Available also on EP version - Elettropolishing after manual polished

Labeling: Each valve body is labeled for full LOT traceability

Packaging: Valve body is sealed in plastic bags and packaged in a closed box with Operating and Maintenance bulletin, Certificate of Conformity and Materials Certification 3.1

Quality Control: Quality Assurance System guarantees the control and traceability of the product.

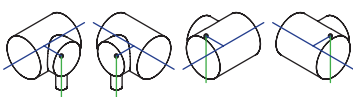
Rules Compliances: CAD valve are on going to be classified for PED Directive 97/23/EC and fulfill ASME BPE Standards

Standard design: Shut Off bodies are available also to 180°, tangential outlet Left or Right

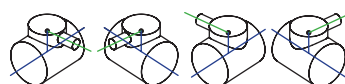
Options: For non-standard CAD Valve body Options, please contact us for further information.

Orders and Information: For additional information or to place a order call your nearest Distributor or visit www.rattiinox.com

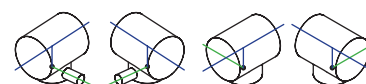
Horizontal Assembly



Vertical Assembly

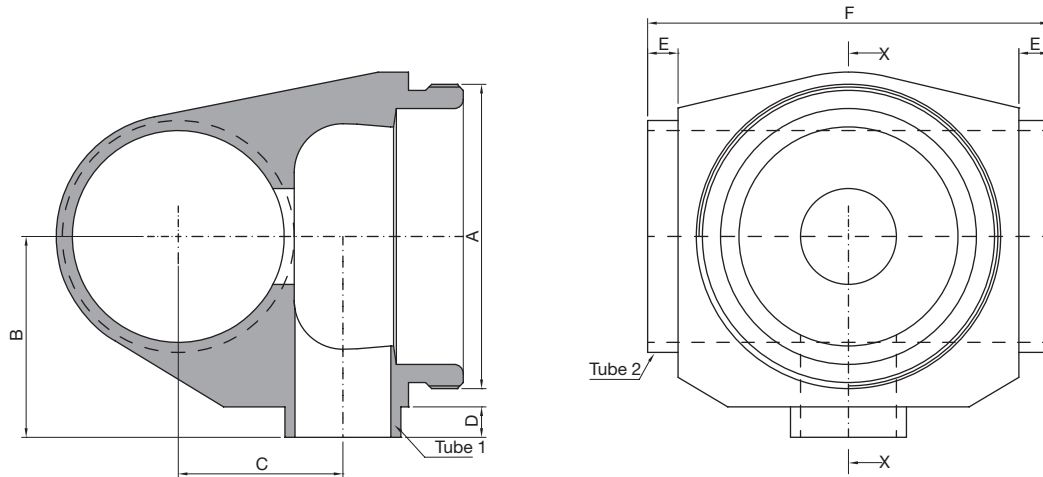


Upside-Down Assembly



TECHNICAL INFORMATION _ CAT. N. YP## SOCL 0000 A2500

COAXIAL SHUT OFF 90 VALVE 25 ON PIPE



Clean and Aseptic Valves of CAD Product Line have simple and safe design, with their full drainability, without asymptotic seal and dead leg, are offering fast cleanability and sterilization practices. They are designed to fulfill stringent demands of CIP-SIP and Production Cycles on Aseptic Processing.

YP## - SOCL - Coaxial Shut Off on Pipe Valves for SAFE areas designed to feed or take off fluids or gases from the process piping with Zero dead leg. Body shape with flush flow seal on pipe and their internal design offer a very reliable component for Aseptic Processing Application. Standard version are short butt weld ends but, on demand, may be delivered for orbital welding or with Tri-Clamp connections.

CODE	A	B mm (inch)	C mm (inch)	D mm (inch)	E mm (inch)	F mm (inch)	TUBE 1* mm (inch)	TUBE 2* mm (inch)
YP25-SOCL-0000-A2500	M70x1	47,00 (1,85)	24,00 (0,95)	5,00 (0,20)	8,00 (0,32)	94,00 (3,70)	25,40x1,65 (1,00x0,065)	25,40x1,65 (1,00x0,065)
YP38-SOCL-0000-A2500	M70x1	47,00 (1,85)	30,00 (1,18)	5,00 (0,20)	8,00 (0,32)	94,00 (3,70)	25,40x1,65 (1,00x0,065)	38,10x1,65 (1,50x0,065)
YP50-SOCL-0000-A2500	M70x1	47,00 (1,85)	36,50 (1,44)	5,00 (0,20)	8,00 (0,32)	94,00 (3,70)	25,40x1,65 (1,00x0,065)	50,80x1,65 (2,00x0,065)
YP63-SOCL-0000-A2500	M70x1	47,00 (1,85)	43,00 (1,69)	5,00 (0,20)	8,00 (0,32)	94,00 (3,70)	25,40x1,65 (1,00x0,065)	63,50x1,65 (2,50x0,065)
YP76-SOCL-0000-A2500	M70x1	47,00 (1,85)	49,00 (1,93)	5,00 (0,20)	8,00 (0,32)	94,00 (3,70)	25,40x1,65 (1,00x0,065)	76,20x1,65 (3,00x0,065)

(*) US Tube ASTM® A269/270 – ASME BPE

SPECIFICATION:

CADE SIZE	A25						
------------------	-----	--	--	--	--	--	--

NET VOLUME⁽¹⁾	ml	32,14					
---------------------------------	----	-------	--	--	--	--	--

⁽¹⁾ Internal valve cavity only, with diaphragm on site

MATERIAL	1,4435-BN2 - Low Ferrite - Low Sulphur						
-----------------	--	--	--	--	--	--	--

Design Temperature: -80 to 200 °C (-112 to 392 °F)

Application Areas: SAFE

Design Pressure, Valve Body: -1 to 10 bar (-14.5 to 145 psi)

Note: The applied actuator and diaphragm may have different design temperature and/or pressure limits. The weakest component determines the maximum design temperature and pressure limits, when they are assembled.

Surface Roughness: Internal surface (manually polished) Ra ≤ 0.3µm (16µin)
External surface Ra ≤ 0.5µm (20µin)

Surface Treatment: Available also on EP version - Elettropolishing after manual polished

Labeling: Each valve body is labeled for full LOT traceability

Packaging: Valve body is sealed in plastic bags and packaged in a closed box with Operating and Maintenance bulletin, Certificate of Conformity and Materials Certification 3.1

Quality Control: Quality Assurance System guarantees the control and traceability of the product.

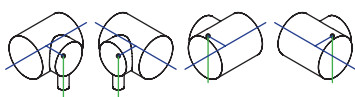
Rules Compliances: CAD valve are on going to be classified for PED Directive 97/23/EC and fulfill ASME BPE Standards

Standard design: Shut Off bodies are available also to 180°, tangential outlet Left or Right

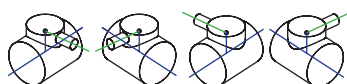
Options: For non-standard CAD Valve body Options, please contact us for further information.

Orders and Information: For additional information or to place a order call your nearest Distributor or visit www.rattiinox.com

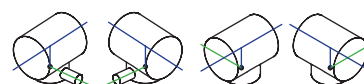
Horizontal Assembly



Vertical Assembly

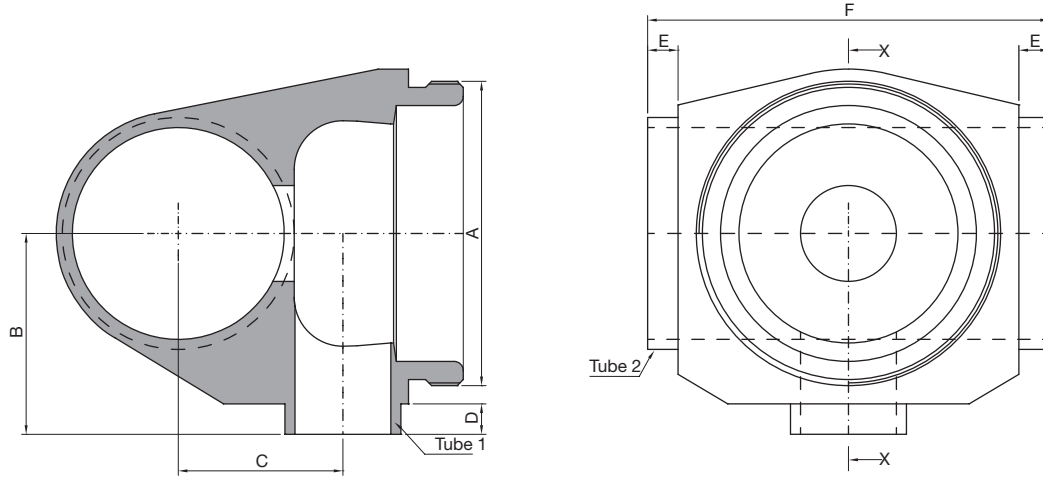


Upside-Down Assembly



TECHNICAL INFORMATION _ CAT. N. YP## SOCL 0000 A3800

COAXIAL SHUT OFF 90 VALVE 38 ON PIPE



Clean and Aseptic Valves of CAD Product Line have simple and safe design, with their full drainability, without asymptotic seal and dead leg, are offering fast cleanability and sterilization practices. They are designed to fulfill stringent demands of CIP-SIP and Production Cycles on Aseptic Processing.

YP## - SOCL - Coaxial Shut Off on Pipe Valves for SAFE areas designed to feed or take off fluids or gases from the process piping with Zero dead leg. Body shape with flush flow seal on pipe and their internal design offer a very reliable component for Aseptic Processing Application. Standard version are short butt weld ends but, on demand, may be delivered for orbital welding or with Tri-Clamp connections.

CODE	A	B mm (inch)	C mm (inch)	D mm (inch)	E mm (inch)	F mm (inch)	TUBE 1* mm (inch)	TUBE 2* mm (inch)
YP38-SOCL-0000-A3800	M80x1,5	60,00 (2,36)	36,50 (1,44)	21,00 (0,83)	21,00 (0,83)	120,00 (4,72)	38,10x1,65 (1,50x0,065)	38,10x1,65 (1,50x0,065)
YP50-SOCL-0000-A3800	M80x1,5	60,00 (2,36)	43,00 (1,69)	21,00 (0,83)	21,00 (0,83)	120,00 (4,72)	38,10x1,65 (1,50x0,065)	50,80x1,65 (2,00x0,065)
YP63-SOCL-0000-A3800	M80x1,5	60,00 (2,36)	49,00 (1,93)	21,00 (0,83)	21,00 (0,83)	120,00 (4,72)	38,10x1,65 (1,50x0,065)	63,50x1,65 (2,50x0,065)
YP76-SOCL-0000-A3800	M80x1,5	60,00 (2,36)	55,50 (2,19)	21,00 (0,83)	21,00 (0,83)	120,00 (4,72)	38,10x1,65 (1,50x0,065)	76,20x1,65 (3,00x0,065)

(*) US Tube ASTM® A269/270 – ASME BPE

SPECIFICATION:

CADE SIZE	A38						
------------------	-----	--	--	--	--	--	--

NET VOLUME⁽¹⁾	ml	86,89					
---------------------------------	----	-------	--	--	--	--	--

⁽¹⁾ Internal valve cavity only, with diaphragm on site

MATERIAL	1,4435-BN2 - Low Ferrite - Low Sulphur						
-----------------	--	--	--	--	--	--	--

Design Temperature: -80 to 200 °C (-112 to 392 °F)

Application Areas: SAFE

Design Pressure, Valve Body: -1 to 10 bar (-14.5 to 145 psi)

Note: The applied actuator and diaphragm may have different design temperature and/or pressure limits. The weakest component determines the maximum design temperature and pressure limits, when they are assembled.

Surface Roughness: Internal surface (manually polished) Ra ≤ 0.3µm (16µin)
External surface Ra ≤ 0.5µm (20µin)

Surface Treatment: Available also on EP version - Eleetro polishing after manual polished

Labeling: Each valve body is labeled for full LOT traceability

Packaging: Valve body is sealed in plastic bags and packaged in a closed box with Operating and Maintenance bulletin, Certificate of Conformity and Materials Certification 3.1

Quality Control: Quality Assurance System guarantees the control and traceability of the product.

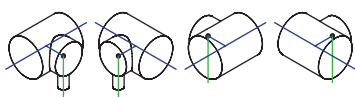
Rules Compliances: CAD valve are on going to be classified for PED Directive 97/23/EC and fulfill ASME BPE Standards

Standard design: Shut Off bodies are available also to 180°, tangential outlet Left or Right

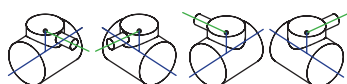
Options: For non-standard CAD Valve body Options, please contact us for further information.

Orders and Information: For additional information or to place a order call your nearest Distributor or visit www.rattiinox.com

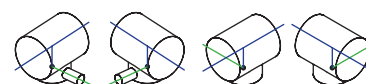
Horizontal Assembly



Vertical Assembly

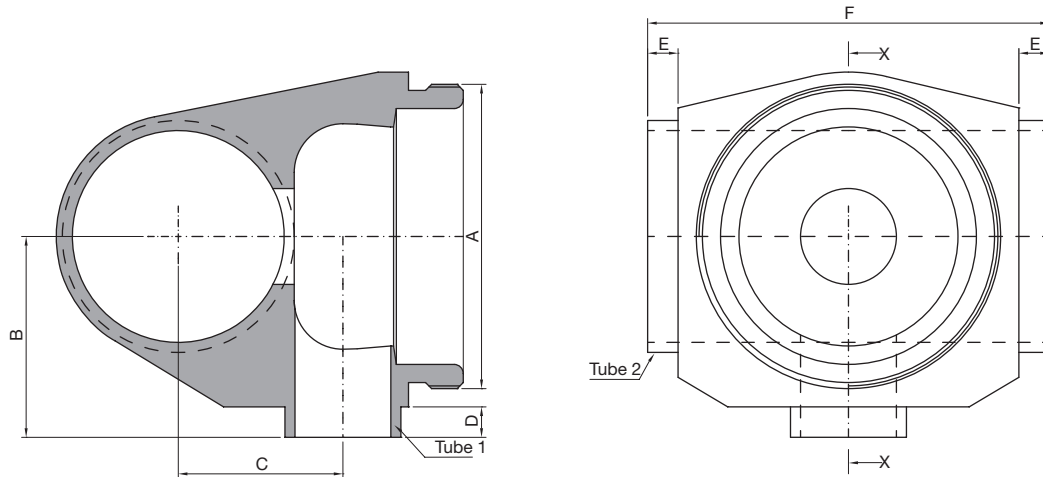


Upside-Down Assembly



TECHNICAL INFORMATION _ CAT. N. YP## SOCL 0000 A5000

COAXIAL SHUT OFF 90 VALVE 50 ON PIPE



Clean and Aseptic Valves of CAD Product Line have simple and safe design, with their full drainability, without asymptotic seal and dead leg, are offering fast cleanability and sterilization practices. They are designed to fulfill stringent demands of CIP-SIP and Production Cycles on Aseptic Processing.

YP## - SOCL - Coaxial Shut Off on Pipe Valves for SAFE areas designed to feed or take off fluids or gases from the process piping with Zero dead leg. Body shape with flush flow seal on pipe and their internal design offer a very reliable component for Aseptic Processing Application. Standard version are short butt weld ends but, on demand, may be delivered for orbital welding or with Tri-Clamp connections.

CODE	A	B mm (inch)	C mm (inch)	D mm (inch)	E mm (inch)	F mm (inch)	TUBE 1* mm (inch)	TUBE 2* mm (inch)
YP50-SOCL-0000-A5000	M103x1,5	75,00 (2,95)	49,50 (1,95)	24,00 (0,95)	24,00 (0,95)	150,00 (5,91)	38,10x1,65 (1,50x0,065)	50,80x1,65 (2,00x0,065)
YP63-SOCL-0000-A5000	M103x1,5	75,00 (2,95)	55,50 (2,19)	24,00 (0,95)	24,00 (0,95)	150,00 (5,91)	38,10x1,65 (1,50x0,065)	63,50x1,65 (2,50x0,065)
YP76-SOCL-0000-A5000	M103x1,5	75,00 (2,95)	62,00 (2,44)	24,00 (0,95)	24,00 (0,95)	150,00 (5,91)	38,10x1,65 (1,50x0,065)	76,20x1,65 (3,00x0,065)

(*) US Tube ASTM® A269/270 – ASME BPE

SPECIFICATION:

CADE SIZE	A50						
------------------	-----	--	--	--	--	--	--

NET VOLUME⁽¹⁾	ml	208,58					
---------------------------------	----	--------	--	--	--	--	--

⁽¹⁾ Internal valve cavity only, with diaphragm on site

MATERIAL	1,4435-BN2 - Low Ferrite - Low Sulphur						
-----------------	--	--	--	--	--	--	--

Design Temperature: -80 to 200 °C (-112 to 392 °F)

Application Areas: SAFE

Design Pressure, Valve Body: -1 to 10 bar (-14.5 to 145 psi)

Note: The applied actuator and diaphragm may have different design temperature and/or pressure limits. The weakest component determines the maximum design temperature and pressure limits, when they are assembled.

Surface Roughness: Internal surface (manually polished) Ra ≤ 0.3µm (16µin)
External surface Ra ≤ 0.5µm (20µin)

Surface Treatment: Available also on EP version - Eleetro polishing after manual polished

Labeling: Each valve body is labeled for full LOT traceability

Packaging: Valve body is sealed in plastic bags and packaged in a closed box with Operating and Maintenance bulletin, Certificate of Conformity and Materials Certification 3.1

Quality Control: Quality Assurance System guarantees the control and traceability of the product.

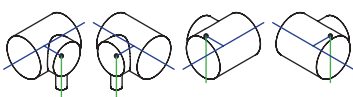
Rules Compliances: CAD valve are on going to be classified for PED Directive 97/23/EC and fulfill ASME BPE Standards

Standard design: Shut Off bodies are available also to 180°, tangential outlet Left or Right

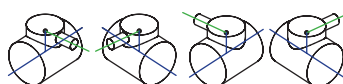
Options: For non-standard CAD Valve body Options, please contact us for further information.

Orders and Information: For additional information or to place a order call your nearest Distributor or visit www.rattiinox.com

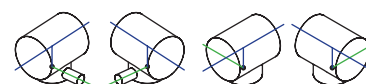
Horizontal Assembly



Vertical Assembly

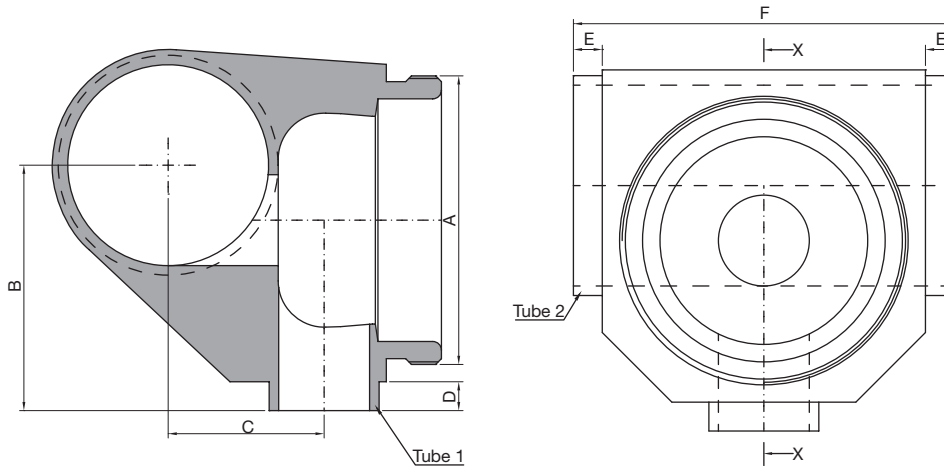


Upside-Down Assembly



TECHNICAL INFORMATION _ CAT. N. YL## SOCL 0000 A1200

SHUT OFF 90 VALVE 12 TANG. ON PIPE



Clean and Aseptic Valves of CAD Product Line have simple and safe design, with their full drainability, without asymptotic seal and dead leg, are offering fast cleanability and sterilization practices. They are designed to fulfill stringent demands of CIP-SIP and Production Cycles on Aseptic Processing.

YL## - SOCL - Tangential Shut Off on Pipe Valves for SAFE areas designed to feed or take off fluids or gases from the process piping with Zero dead leg. Valve inlet is tangential on pipe allowing full drainability of the pipeline through the horizontal valve assembly. Body shape and their internal design offer a very reliable component for Aseptic Processing Application. Standard version are short butt weld ends but, on demand, may be delivered for orbital welding or with Tri-Clamp connections.

CODE	A	B mm (inch)	C mm (inch)	D mm (inch)	E mm (inch)	F mm (inch)	TUBE 1* mm (inch)	TUBE 2* mm (inch)
YL19-SOCL-0000-A1200	M34x1	29,00 (1,14)	14,50 (0,57)	5,00 (0,20)	8,00 (0,32)	52,00 (2,05)	12,70x1,65 (0,50x0,065)	19,05x1,65 (0,75x0,065)
YL25-SOCL-0000-A1200	M34x1	32,50 (1,28)	18,00 (0,71)	5,00 (0,20)	8,00 (0,32)	52,00 (2,05)	12,70x1,65 (0,50x0,065)	25,40x1,65 (1,00x0,065)
YL38-SOCL-0000-A1200	M34x1	38,00 (1,50)	24,00 (0,95)	5,00 (0,20)	8,00 (0,32)	52,00 (2,05)	12,70x1,65 (0,50x0,065)	38,10x1,65 (1,50x0,065)
YL50-SOCL-0000-A1200	M34x1	45,00 (1,77)	29,00 (1,14)	5,00 (0,20)	8,00 (0,32)	52,00 (2,05)	12,70x1,65 (0,50x0,065)	50,80x1,65 (2,00x0,065)
YL63-SOCL-0000-A1200	M34x1	51,50 (2,03)	32,50 (1,28)	5,00 (0,20)	8,00 (0,32)	52,00 (2,05)	12,70x1,65 (0,50x0,065)	63,50x1,65 (2,50x0,065)
YL76-SOCL-0000-A1200	M34x1	58,00 (2,28)	36,50 (1,44)	5,00 (0,20)	8,00 (0,32)	52,00 (2,05)	12,70x1,65 (0,50x0,065)	76,20x1,65 (3,00x0,065)

(*) US Tube ASTM® A269/270 – ASME BPE

SPECIFICATION:

CADE SIZE	A12						
------------------	-----	--	--	--	--	--	--

NET VOLUME⁽¹⁾	ml	2,86					
---------------------------------	----	------	--	--	--	--	--

⁽¹⁾ Internal valve cavity only, with diaphragm on site

MATERIAL	1,4435-BN2 - Low Ferrite - Low Sulphur						
-----------------	--	--	--	--	--	--	--

Design Temperature: -80 to 200 °C (-112 to 392 °F)

Application Areas: SAFE

Design Pressure, Valve Body: -1 to 10 bar (-14.5 to 145 psi)

Note: The applied actuator and diaphragm may have different design temperature and/or pressure limits. The weakest component determines the maximum design temperature and pressure limits, when they are assembled.

Surface Roughness: Internal surface (manually polished) Ra ≤ 0.3µm (16µin)
 External surface Ra ≤ 0.5µm (20µin)

Surface Treatment: Available also on EP version - Elettropolishing after manual polished

Labeling: Each valve body is labeled for full LOT traceability

Packaging: Valve body is sealed in plastic bags and packaged in a closed box with Operating and Maintenance bulletin, Certificate of Conformity and Materials Certification 3.1

Quality Control: Quality Assurance System guarantees the control and traceability of the product.

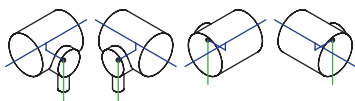
Rules Compliances: CAD valve are on going to be classified for PED Directive 97/23/EC and fulfill ASME BPE Standards

Standard design: Shut Off bodies are available also to 180°, tangential outlet Left or Right

Options: For non-standard CAD Valve body Options, please contact us for further information.

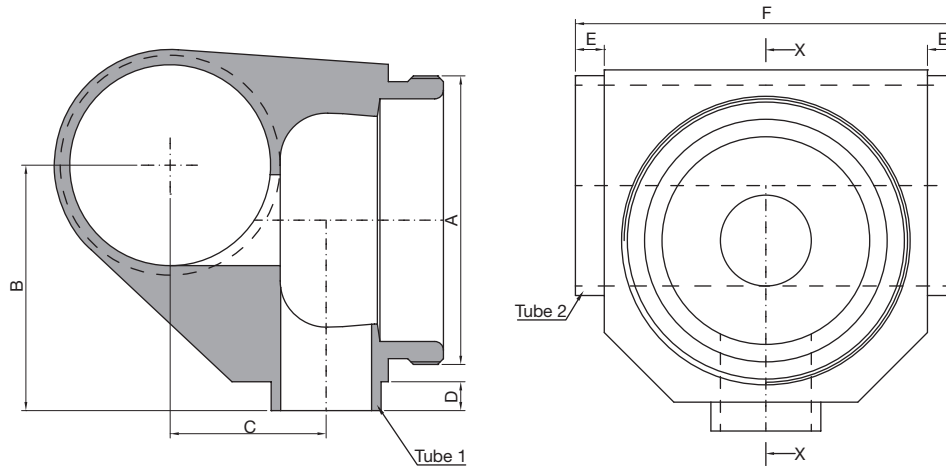
Orders and Information: For additional information or to place a order call your nearest Distributor or visit www.rattiinox.com

Horizontal Assembly



TECHNICAL INFORMATION _ CAT. N. YL## SOCL 0000 A1900

SHUT OFF 90 VALVE 19 TANG. ON PIPE



Clean and Aseptic Valves of CAD Product Line have simple and safe design, with their full drainability, without asymptotic seal and dead leg, are offering fast cleanability and sterilization practices. They are designed to fulfill stringent demands of CIP-SIP and Production Cycles on Aseptic Processing.

YL## - SOCL - Tangential Shut Off on Pipe Valves for SAFE areas designed to feed or take off fluids or gases from the process piping with Zero dead leg. Valve inlet is tangential on pipe allowing full drainability of the pipeline through the horizontal valve assembly. Body shape and their internal design offer a very reliable component for Aseptic Processing Application. Standard version are short butt weld ends but, on demand, may be delivered for orbital welding or with Tri-Clamp connections.

CODE	A	B mm (inch)	C mm (inch)	D mm (inch)	E mm (inch)	F mm (inch)	TUBE 1* mm (inch)	TUBE 2* mm (inch)
YL25-SOCL-0000-A1900	M50x1	36,00 (1,42)	21,00 (0,83)	5,00 (0,20)	8,00 (0,32)	66,00 (2,60)	19,05x1,65 (0,75x0,065)	25,40x1,65 (1,00x0,065)
YL38-SOCL-0000-A1900	M50x1	42,50 (1,67)	27,50 (1,09)	5,00 (0,20)	8,00 (0,32)	66,00 (2,60)	19,05x1,65 (0,75x0,065)	38,10x1,65 (1,50x0,065)
YL50-SOCL-0000-A1900	M50x1	49,00 (1,93)	34,00 (1,34)	5,00 (0,20)	8,00 (0,32)	66,00 (2,60)	19,05x1,65 (0,75x0,065)	50,80x1,65 (2,00x0,065)
YL63-SOCL-0000-A1900	M50x1	60,00 (2,36)	39,00 (1,54)	5,00 (0,20)	8,00 (0,32)	66,00 (2,60)	19,05x1,65 (0,75x0,065)	63,50x1,65 (2,50x0,065)
YL76-SOCL-0000-A1900	M50x1	72,50 (2,85)	43,50 (1,71)	5,00 (0,20)	8,00 (0,32)	66,00 (2,60)	19,05x1,65 (0,75x0,065)	76,20x1,65 (3,00x0,065)

(*) US Tube ASTM® A269/270 – ASME BPE

SPECIFICATION:

CADE SIZE	A19						
------------------	-----	--	--	--	--	--	--

NET VOLUME⁽¹⁾	ml	10,23					
---------------------------------	----	-------	--	--	--	--	--

⁽¹⁾ Internal valve cavity only, with diaphragm on site

MATERIAL	1,4435-BN2 - Low Ferrite - Low Sulphur						
-----------------	--	--	--	--	--	--	--

Design Temperature: -80 to 200 °C (-112 to 392 °F)

Application Areas: SAFE

Design Pressure, Valve Body: -1 to 10 bar (-14.5 to 145 psi)

Note: The applied actuator and diaphragm may have different design temperature and/or pressure limits. The weakest component determines the maximum design temperature and pressure limits, when they are assembled.

Surface Roughness: Internal surface (manually polished) Ra ≤ 0.3µm (16µin)
External surface Ra ≤ 0.5µm (20µin)

Surface Treatment: Available also on EP version - Elettropolishing after manual polished

Labeling: Each valve body is labeled for full LOT traceability

Packaging: Valve body is sealed in plastic bags and packaged in a closed box with Operating and Maintenance bulletin, Certificate of Conformity and Materials Certification 3.1

Quality Control: Quality Assurance System guarantees the control and traceability of the product.

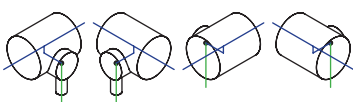
Rules Compliances: CAD valve are on going to be classified for PED Directive 97/23/EC and fulfill ASME BPE Standards

Standard design: Shut Off bodies are available also to 180°, tangential outlet Left or Right

Options: For non-standard CAD Valve body Options, please contact us for further information.

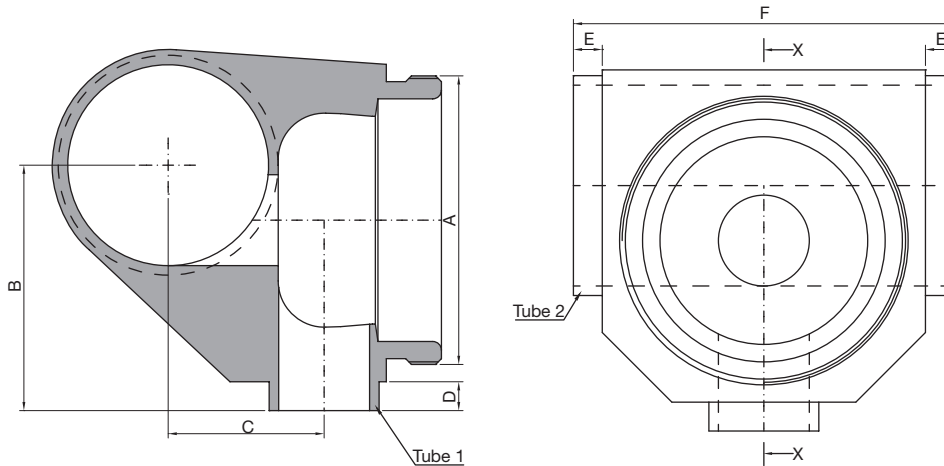
Orders and Information: For additional information or to place a order call your nearest Distributor or visit www.rattiinox.com

Horizontal Assembly



TECHNICAL INFORMATION _ CAT. N. YL## SOCL 0000 A2500

SHUT OFF 90 VALVE 25 TANG. ON PIPE



Clean and Aseptic Valves of CAD Product Line have simple and safe design, with their full drainability, without asymptotic seal and dead leg, are offering fast cleanability and sterilization practices. They are designed to fulfill stringent demands of CIP-SIP and Production Cycles on Aseptic Processing.

YL## - SOCL - Tangential Shut Off on Pipe Valves for SAFE areas designed to feed or take off fluids or gases from the process piping with Zero dead leg. Valve inlet is tangential on pipe allowing full drainability of the pipeline through the horizontal valve assembly. Body shape and their internal design offer a very reliable component for Aseptic Processing Application. Standard version are short butt weld ends but, on demand, may be delivered for orbital welding or with Tri-Clamp connections.

CODE	A	B mm (inch)	C mm (inch)	D mm (inch)	E mm (inch)	F mm (inch)	TUBE 1* mm (inch)	TUBE 2* mm (inch)
YL38-SOCL-0000-A2500	M70x1	53,50 (2,11)	30,50 (1,20)	5,00 (0,20)	8,00 (0,32)	94,00 (3,70)	25,40x1,65 (1,00x0,065)	38,10x1,65 (1,50x0,065)
YL50-SOCL-0000-A2500	M70x1	59,50 (2,34)	37,00 (1,46)	5,00 (0,20)	8,00 (0,32)	94,00 (3,70)	25,40x1,65 (1,00x0,065)	50,80x1,65 (2,00x0,065)
YL63-SOCL-0000-A2500	M70x1	66,00 (2,60)	43,50 (1,71)	5,00 (0,20)	8,00 (0,32)	94,00 (3,70)	25,40x1,65 (1,00x0,065)	63,50x1,65 (2,50x0,065)
YL76-SOCL-0000-A2500	M70x1	72,50 (2,85)	49,50 (1,95)	5,00 (0,20)	8,00 (0,32)	94,00 (3,70)	25,40x1,65 (1,00x0,065)	76,20x1,65 (3,00x0,065)
YL00-SOCL-0000-A2500	M70x1	94,50 (3,72)	62,00 (2,44)	5,00 (0,20)	8,00 (0,32)	94,00 (3,70)	25,40x1,65 (1,00x0,065)	101,60x2,11 (4,00x0,083)

(*) US Tube ASTM® A269/270 – ASME BPE

SPECIFICATION:

CADE SIZE	A25						
------------------	-----	--	--	--	--	--	--

NET VOLUME⁽¹⁾	ml	32,14					
---------------------------------	----	-------	--	--	--	--	--

⁽¹⁾ Internal valve cavity only, with diaphragm on site

MATERIAL	1,4435-BN2 - Low Ferrite - Low Sulphur						
-----------------	--	--	--	--	--	--	--

Design Temperature: -80 to 200 °C (-112 to 392 °F)

Application Areas: SAFE

Design Pressure, Valve Body: -1 to 10 bar (-14.5 to 145 psi)

Note: The applied actuator and diaphragm may have different design temperature and/or pressure limits. The weakest component determines the maximum design temperature and pressure limits, when they are assembled.

Surface Roughness: Internal surface (manually polished) $Ra \leq 0.3\mu m$ (16 μin)
 External surface $Ra \leq 0.5\mu m$ (20 μin)

Surface Treatment: Available also on EP version - Elettropolishing after manual polished

Labeling: Each valve body is labeled for full LOT traceability

Packaging: Valve body is sealed in plastic bags and packaged in a closed box with Operating and Maintenance bulletin, Certificate of Conformity and Materials Certification 3.1

Quality Control: Quality Assurance System guarantees the control and traceability of the product.

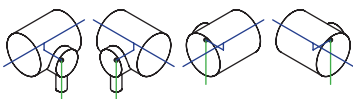
Rules Compliances: CAD valve are on going to be classified for PED Directive 97/23/EC and fulfill ASME BPE Standards

Standard design: Shut Off bodies are available also to 180°, tangential outlet Left or Right

Options: For non-standard CAD Valve body Options, please contact us for further information.

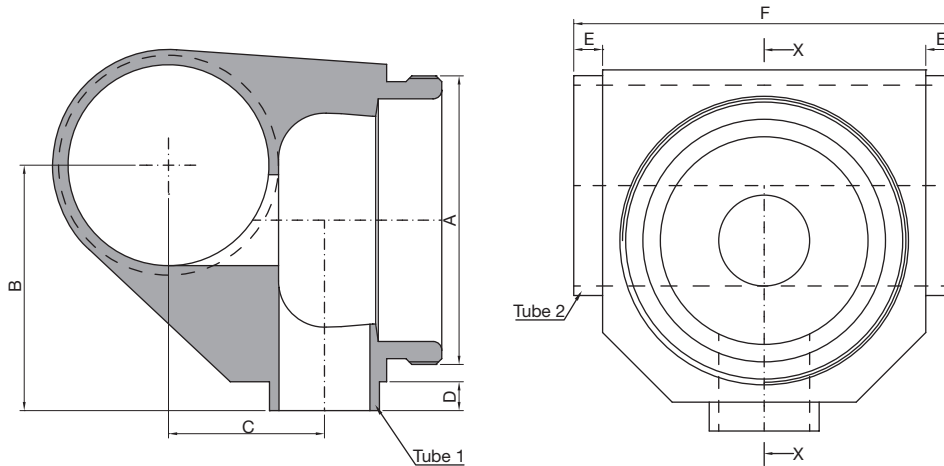
Orders and Information: For additional information or to place a order call your nearest Distributor or visit www.rattiinox.com

Horizontal Assembly



TECHNICAL INFORMATION _ CAT. N. YL## SOCL 0000 A3800

SHUT OFF 90 VALVE 38 TANG. ON PIPE



.....

Clean and Aseptic Valves of CAD Product Line have simple and safe design, with their full drainability, without asymptotic seal and dead leg, are offering fast cleanability and sterilization practices. They are designed to fulfill stringent demands of CIP-SIP and Production Cycles on Aseptic Processing.

YL## - SOCL - Tangential Shut Off on Pipe Valves for SAFE areas designed to feed or take off fluids or gases from the process piping with Zero dead leg. Valve inlet is tangential on pipe allowing full drainability of the pipeline through the horizontal valve assembly. Body shape and their internal design offer a very reliable component for Aseptic Processing Application. Standard version are short butt weld ends but, on demand, may be delivered for orbital welding or with Tri-Clamp connections.

.....

CODE	A	B mm (inch)	C mm (inch)	D mm (inch)	E mm (inch)	F mm (inch)	TUBE 1* mm (inch)	TUBE 2* mm (inch)
YL50-SOCL-0000-A3800	M80x1,5	66,50 (2,62)	43,50 (1,71)	21,00 (0,83)	21,00 (0,83)	120,00 (4,72)	38,10x1,65 (1,50x0,065)	50,80x1,65 (2,00x0,065)
YL63-SOCL-0000-A3800	M80x1,5	72,50 (2,85)	50,00 (1,97)	21,00 (0,83)	21,00 (0,83)	120,00 (4,72)	38,10x1,65 (1,50x0,065)	63,50x1,65 (2,50x0,065)
YL76-SOCL-0000-A3800	M80x1,5	79,00 (3,11)	56,00 (2,21)	21,00 (0,83)	21,00 (0,83)	120,00 (4,72)	38,10x1,65 (1,50x0,065)	76,20x1,65 (3,00x0,065)
YL00-SOCL-0000-A3800	M80x1,5	91,50 (3,60)	69,00 (2,72)	21,00 (0,83)	21,00 (0,83)	120,00 (4,72)	38,10x1,65 (1,50x0,065)	101,60x2,11 (4,00x0,083)

(*) US Tube ASTM® A269/270 – ASME BPE

SPECIFICATION:

CADE SIZE	A38						
------------------	-----	--	--	--	--	--	--

NET VOLUME⁽¹⁾	ml	86,89					
---------------------------------	----	-------	--	--	--	--	--

⁽¹⁾ Internal valve cavity only, with diaphragm on site

MATERIAL	1,4435-BN2 - Low Ferrite - Low Sulphur
-----------------	--

Design Temperature: -80 to 200 °C (-112 to 392 °F)

Application Areas: SAFE

Design Pressure, Valve Body: -1 to 10 bar (-14.5 to 145 psi)

Note: The applied actuator and diaphragm may have different design temperature and/or pressure limits. The weakest component determines the maximum design temperature and pressure limits, when they are assembled.

Surface Roughness: Internal surface (manually polished) $Ra \leq 0.3\mu m$ (16 μin)
External surface $Ra \leq 0.5\mu m$ (20 μin)

Surface Treatment: Available also on EP version - Elettropolishing after manual polished

Labeling: Each valve body is labeled for full LOT traceability

Packaging: Valve body is sealed in plastic bags and packaged in a closed box with Operating and Maintenance bulletin, Certificate of Conformity and Materials Certification 3.1

Quality Control: Quality Assurance System guarantees the control and traceability of the product.

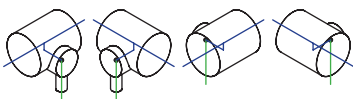
Rules Compliances: CAD valve are on going to be classified for PED Directive 97/23/EC and fulfill ASME BPE Standards

Standard design: Shut Off bodies are available also to 180°, tangential outlet Left or Right

Options: For non-standard CAD Valve body Options, please contact us for further information.

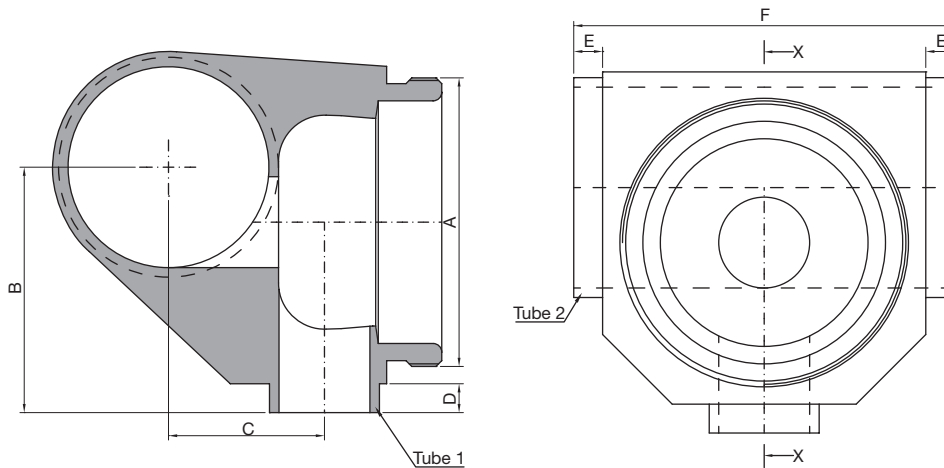
Orders and Information: For additional information or to place a order call your nearest Distributor or visit www.rattiinox.com

Horizontal Assembly



TECHNICAL INFORMATION _ CAT. N. YL## SOCL 0000 A5000

SHUT OFF 90 VALVE 50 TANG. ON PIPE



.....

Clean and Aseptic Valves of CAD Product Line have simple and safe design, with their full drainability, without asymptotic seal and dead leg, are offering fast cleanability and sterilization practices. They are designed to fulfill stringent demands of CIP-SIP and Production Cycles on Aseptic Processing.

YL## - SOCL - Tangential Shut Off on Pipe Valves for SAFE areas designed to feed or take off fluids or gases from the process piping with Zero dead leg. Valve inlet is tangential on pipe allowing full drainability of the pipeline through the horizontal valve assembly. Body shape and their internal design offer a very reliable component for Aseptic Processing Application. Standard version are short butt weld ends but, on demand, may be delivered for orbital welding or with Tri-Clamp connections.

.....

CODE	A	B mm (inch)	C mm (inch)	D mm (inch)	E mm (inch)	F mm (inch)	TUBE 1* mm (inch)	TUBE 2* mm (inch)
YL63-SOCL-0000-A5000	M103x1,5	81,50 (3,21)	56,00 (2,20)	24,00 (0,95)	24,00 (0,95)	150,00 (5,91)	50,80x1,65 (2,00x0,065)	63,50x1,65 (2,50x0,065)
YL76-SOCL-0000-A5000	M103x1,5	87,50 (3,45)	62,50 (2,46)	24,00 (0,95)	24,00 (0,95)	150,00 (5,91)	50,80x1,65 (2,00x0,065)	76,20x1,65 (3,00x0,065)
YL00-SOCL-0000-A5000	M103x1,5	100,00 (3,94)	75,00 (2,95)	24,00 (0,95)	24,00 (0,95)	150,00 (5,91)	50,80x1,65 (2,00x0,065)	101,60x2,11 (4,00x0,083)

(*) US Tube ASTM® A269/270 – ASME BPE

SPECIFICATION:

CADE SIZE	A50						
------------------	-----	--	--	--	--	--	--

NET VOLUME⁽¹⁾	ml	208,58					
---------------------------------	----	--------	--	--	--	--	--

⁽¹⁾ Internal valve cavity only, with diaphragm on site

MATERIAL	1,4435-BN2 - Low Ferrite - Low Sulphur						
-----------------	--	--	--	--	--	--	--

Design Temperature: -80 to 200 °C (-112 to 392 °F)

Application Areas: SAFE

Design Pressure, Valve Body: -1 to 10 bar (-14.5 to 145 psi)

Note: The applied actuator and diaphragm may have different design temperature and/or pressure limits. The weakest component determines the maximum design temperature and pressure limits, when they are assembled.

Surface Roughness: Internal surface (manually polished) $Ra \leq 0.3\mu m$ (16 μin)
 External surface $Ra \leq 0.5\mu m$ (20 μin)

Surface Treatment: Available also on EP version - Elettropolishing after manual polished

Labeling: Each valve body is labeled for full LOT traceability

Packaging: Valve body is sealed in plastic bags and packaged in a closed box with Operating and Maintenance bulletin, Certificate of Conformity and Materials Certification 3.1

Quality Control: Quality Assurance System guarantees the control and traceability of the product.

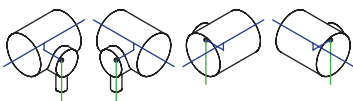
Rules Compliances: CAD valve are on going to be classified for PED Directive 97/23/EC and fulfill ASME BPE Standards

Standard design: Shut Off bodies are available also to 180°, tangential outlet Left or Right

Options: For non-standard CAD Valve body Options, please contact us for further information.

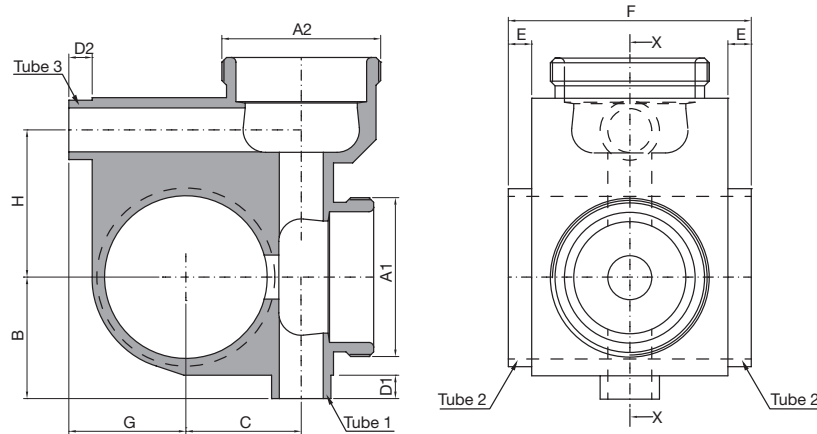
Orders and Information: For additional information or to place a order call your nearest Distributor or visit www.rattiinox.com

Horizontal Assembly



TECHNICAL INFORMATION _ CAT. N. YU## SOCL SOCL A1212

COAXIAL SHUT OFF 90 VALVE 12 ON PIPE + SIP VALVE 12



Clean and Aseptic Valves of CAD Product Line have simple and safe design, with their full drainability, without asymptotic seal and dead leg, are offering fast cleanability and sterilization practices. They are designed to fulfill stringent demands of CIP-SIP and Production Cycles on Aseptic Processing.

YU## - SOCL - SOCL - Coaxial Shut Off on Pipe Valves + SIP Valve for SAFE areas designed to feed or take off fluids or gases from the process piping with Zero dead leg. The satellite valve may be used for CIP-SIP process of the Valve on Pipe body and their downstream pipeline. Body shape with flush flow seal on pipe and their internal design offer a very reliable component for Aseptic Processing Application. Standard version are short butt weld ends but, on demand, may be delivered for orbital welding or with Tri-Clamp connections.

CODE	A 1	A 2	B mm (inch)	C mm (inch)	D1 mm (inch)	D2 mm (inch)	E mm (inch)	F mm (inch)	G mm (inch)	H mm (inch)	TUBE 1* mm (inch)	TUBE 2* mm (inch)	TUBE 3* mm (inch)
YU12-SOCL-SOCL-A1212	M34x1	M34x1	26,00 (1,02)	12,00 (0,47)	5,00 (0,20)	5,00 (0,20)	8,00 (0,32)	52,00 (2,05)	19,00 (0,75)	31,50 (1,24)	12,70x1,65 (0,50x0,065)	12,70x1,65 (0,50x0,065)	12,70x1,65 (0,50x0,065)
YU19-SOCL-SOCL-A1212	M34x1	M34x1	26,00 (1,02)	15,00 (0,59)	5,00 (0,20)	5,00 (0,20)	8,00 (0,32)	52,00 (2,05)	15,50 (0,62)	31,50 (1,24)	12,70x1,65 (0,50x0,065)	19,50x1,65 (0,75x0,065)	12,70x1,65 (0,50x0,065)
YU25-SOCL-SOCL-A1212	M34x1	M34x1	26,00 (1,02)	18,50 (0,73)	5,00 (0,20)	5,00 (0,20)	8,00 (0,32)	52,00 (2,05)	18,50 (0,73)	31,50 (1,24)	12,70x1,65 (0,50x0,065)	25,40x1,65 (1,00x0,065)	12,70x1,65 (0,50x0,065)
YU38-SOCL-SOCL-A1212	M34x1	M34x1	26,00 (1,02)	24,50 (0,97)	5,00 (0,20)	5,00 (0,20)	8,00 (0,32)	52,00 (2,05)	25,00 (0,98)	31,50 (1,24)	12,70x1,65 (0,50x0,065)	38,10x1,65 (1,50x0,065)	12,70x1,65 (0,50x0,065)
YU50-SOCL-SOCL-A1212	M34x1	M34x1	31,00 (1,22)	31,00 (1,22)	5,00 (0,20)	5,00 (0,20)	8,00 (0,32)	52,00 (2,05)	31,00 (1,22)	31,50 (1,24)	12,70x1,65 (0,50x0,065)	50,80x1,65 (2,00x0,065)	12,70x1,65 (0,50x0,065)

(*) US Tube ASTM® A269/270 – ASME BPE

SPECIFICATION:

CAD SIZE	A12						
-----------------	-----	--	--	--	--	--	--

NET VOLUME⁽¹⁾	ml	2,86					
---------------------------------	----	------	--	--	--	--	--

⁽¹⁾ Internal valve cavity only, for each cavity, with diaphragm on site

MATERIAL	1,4435-BN2 - Low Ferrite - Low Sulphur						
-----------------	--	--	--	--	--	--	--

Design Temperature: -80 to 200 °C (-112 to 392 °F)

Application Areas: SAFE

Design Pressure, Valve Body: -1 to 10 bar (-14.5 to 145 psi)

Note: The applied actuator and diaphragm may have different design temperature and/or pressure limits. The weakest component determines the maximum design temperature and pressure limits, when they are assembled.

Surface Roughness: Internal surface (manually polished) Ra ≤ 0.3µm (16µin)
External surface Ra ≤ 0.5µm (20µin)

Surface Treatment: Available also on EP version - Elettropolishing after manual polished

Labeling: Each valve body is labeled for full LOT traceability

Packaging: Valve body is sealed in plastic bags and packaged in a closed box with Operating and Maintenance bulletin, Certificate of Conformity and Materials Certification 3.1

Quality Control: Quality Assurance System guarantees the control and traceability of the product.

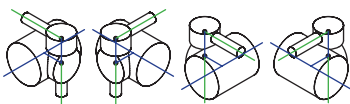
Rules Compliances: CAD valve are on going to be classified for PED Directive 97/23/EC and fulfill ASME BPE Standards

Standard design: Shut Off bodies are available also to 180°, tangential outlet Left or Right

Options: For non-standard CAD Valve body Options, please contact us for further information.

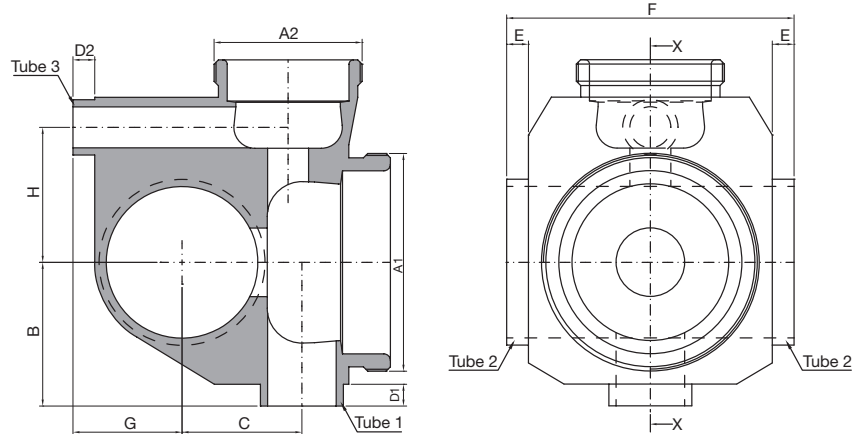
Orders and Information: For additional information or to place a order call your nearest Distributor or visit www.rattiinox.com

Horizontal Assembly



TECHNICAL INFORMATION _ CAT. N. YU## SOCL SOCL A1912

COAXIAL SHUT OFF 90 VALVE 19 ON PIPE + SIP VALVE 12



Clean and Aseptic Valves of CAD Product Line have simple and safe design, with their full drainability, without asymptotic seal and dead leg, are offering fast cleanability and sterilization practices. They are designed to fulfill stringent demands of CIP-SIP and Production Cycles on Aseptic Processing.

YU## - SOCL - SOCL - Coaxial Shut Off on Pipe Valves + SIP Valve for SAFE areas designed to feed or take off fluids or gases from the process piping with Zero dead leg. The satellite valve may be used for CIP-SIP process of the Valve on Pipe body and their downstream pipeline. Body shape with flush flow seal on pipe and their internal design offer a very reliable component for Aseptic Processing Application. Standard version are short butt weld ends but, on demand, may be delivered for orbital welding or with Tri-Clamp connections.

CODE	A 1	A 2	B mm (inch)	C mm (inch)	D1 mm (inch)	D2 mm (inch)	E mm (inch)	F mm (inch)	G mm (inch)	H mm (inch)	TUBE 1* mm (inch)	TUBE 2* mm (inch)	TUBE 3* mm (inch)
YU19-SOCL-SOCL-A1912	M50x1	M34x1	33,00 (1,30)	18,00 (0,71)	5,00 (0,20)	5,00 (0,20)	8,00 (0,32)	66,00 (2,60)	18,50 (0,73)	31,00 (1,22)	19,05x1,65 (0,75x0,065)	19,05x1,65 (0,75x0,065)	12,70x1,65 (0,50x0,065)
YU25-SOCL-SOCL-A1912	M50x1	M34x1	33,00 (1,30)	21,00 (0,83)	5,00 (0,20)	5,00 (0,20)	8,00 (0,32)	66,00 (2,60)	18,50 (0,73)	31,00 (1,22)	19,05x1,65 (0,75x0,065)	25,40x1,65 (1,00x0,065)	12,70x1,65 (0,50x0,065)
YU38-SOCL-SOCL-A1912	M50x1	M34x1	33,00 (1,30)	27,50 (1,08)	5,00 (0,20)	5,00 (0,20)	8,00 (0,32)	66,00 (2,60)	25,00 (0,98)	31,00 (1,22)	19,05x1,65 (0,75x0,065)	38,10x1,65 (1,50x0,065)	12,70x1,65 (0,50x0,065)
YU50-SOCL-SOCL-A1912	M50x1	M34x1	33,00 (1,30)	34,00 (1,34)	5,00 (0,20)	5,00 (0,20)	8,00 (0,32)	66,00 (2,60)	31,50 (1,24)	31,00 (1,22)	19,05x1,65 (0,75x0,065)	50,80x1,65 (2,00x0,065)	12,70x1,65 (0,50x0,065)
YU63-SOCL-SOCL-A1912	M50x1	M34x1	38,00 (1,50)	40,50 (1,60)	5,00 (0,20)	5,00 (0,20)	8,00 (0,32)	66,00 (2,60)	38,00 (1,50)	37,50 (1,48)	19,05x1,65 (0,75x0,065)	63,50x1,65 (2,50x0,065)	12,70x1,65 (0,50x0,065)

(*) US Tube ASTM® A269/270 – ASME BPE

SPECIFICATION:

CAD SIZE	A12	A19					
-----------------	-----	-----	--	--	--	--	--

NET VOLUME⁽¹⁾	ml	2,86	10,23				
---------------------------------	----	------	-------	--	--	--	--

⁽¹⁾ Internal valve cavity only, for each cavity, with diaphragm on site

MATERIAL	1,4435-BN2 - Low Ferrite - Low Sulphur						
-----------------	--	--	--	--	--	--	--

Design Temperature: -80 to 200 °C (-112 to 392 °F)

Application Areas: SAFE

Design Pressure, Valve Body: -1 to 10 bar (-14.5 to 145 psi)

Note: The applied actuator and diaphragm may have different design temperature and/or pressure limits. The weakest component determines the maximum design temperature and pressure limits, when they are assembled.

Surface Roughness: Internal surface (manually polished) Ra ≤ 0.3µm (16µin)
External surface Ra ≤ 0.5µm (20µin)

Surface Treatment: Available also on EP version - Elettropolishing after manual polished

Labeling: Each valve body is labeled for full LOT traceability

Packaging: Valve body is sealed in plastic bags and packaged in a closed box with Operating and Maintenance bulletin, Certificate of Conformity and Materials Certification 3.1

Quality Control: Quality Assurance System guarantees the control and traceability of the product.

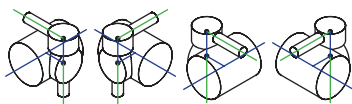
Rules Compliances: CAD valve are on going to be classified for PED Directive 97/23/EC and fulfill ASME BPE Standards

Standard design: Shut Off bodies are available also to 180°, tangential outlet Left or Right

Options: For non-standard CAD Valve body Options, please contact us for further information.

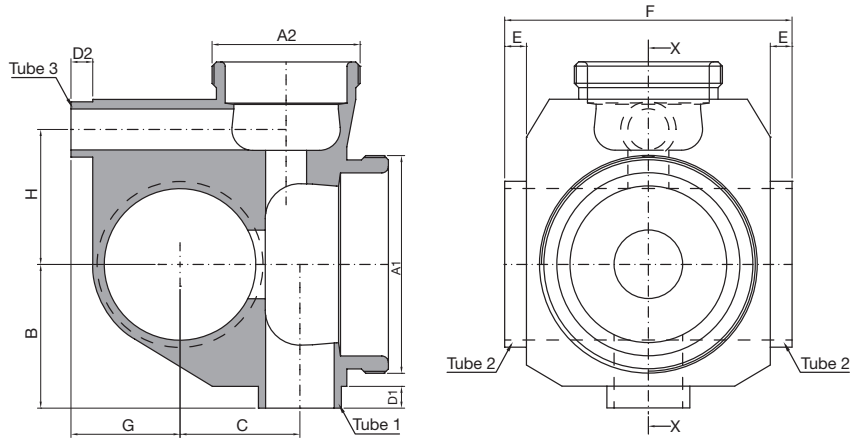
Orders and Information: For additional information or to place a order call your nearest Distributor or visit www.rattiinox.com

Horizontal Assembly



TECHNICAL INFORMATION _ CAT. N. YU## SOCL SOCL A2512

COAXIAL SHUT OFF 90 VALVE 25 ON PIPE + SIP VALVE 12



Clean and Aseptic Valves of CAD Product Line have simple and safe design, with their full drainability, without asymptotic seal and dead leg, are offering fast cleanability and sterilization practices. They are designed to fulfill stringent demands of CIP-SIP and Production Cycles on Aseptic Processing.

YU## - SOCL - SOCL - Coaxial Shut Off on Pipe Valves + SIP Valve for SAFE areas designed to feed or take off fluids or gases from the process piping with Zero dead leg. The satellite valve may be used for CIP-SIP process of the Valve on Pipe body and their downstream pipeline. Body shape with flush flow seal on pipe and their internal design offer a very reliable component for Aseptic Processing Application. Standard version are short butt weld ends but, on demand, may be delivered for orbital welding or with Tri-Clamp connections.

CODE	A 1	A 2	B mm (inch)	C mm (inch)	D1 mm (inch)	D2 mm (inch)	E mm (inch)	F mm (inch)	G mm (inch)	H mm (inch)	TUBE 1* mm (inch)	TUBE 2* mm (inch)	TUBE 3* mm (inch)
YU25-SOCL-SOCL-A2512	M70x1	M34x1	47,00 (1,85)	25,00 (0,98)	5,00 (0,20)	5,00 (0,20)	8,00 (0,32)	94,00 (3,70)	18,50 (0,73)	37,00 (1,46)	25,40x1,65 (1,00x0,065)	25,40x1,65 (1,00x0,065)	12,70x1,65 (0,50x0,065)
YU38-SOCL-SOCL-A2512	M70x1	M34x1	47,00 (1,85)	31,00 (1,22)	5,00 (0,20)	5,00 (0,20)	8,00 (0,32)	94,00 (3,70)	25,00 (0,98)	37,00 (1,46)	25,40x1,65 (1,00x0,065)	38,10x1,65 (1,50x0,065)	12,70x1,65 (0,50x0,065)
YU50-SOCL-SOCL-A2512	M70x1	M34x1	47,00 (1,85)	37,50 (1,48)	5,00 (0,20)	5,00 (0,20)	8,00 (0,32)	94,00 (3,70)	31,50 (1,24)	37,00 (1,46)	25,40x1,65 (1,00x0,065)	50,80x1,65 (2,00x0,065)	12,70x1,65 (0,50x0,065)
YU63-SOCL-SOCL-A2512	M70x1	M34x1	47,00 (1,85)	44,00 (1,73)	5,00 (0,20)	5,00 (0,20)	8,00 (0,32)	94,00 (3,70)	37,50 (1,48)	37,00 (1,46)	25,40x1,65 (1,00x0,065)	63,50x1,65 (2,50x0,065)	12,70x1,65 (0,50x0,065)
YU76-SOCL-SOCL-A2512	M70x1	M34x1	47,00 (1,85)	50,50 (1,99)	5,00 (0,20)	5,00 (0,20)	8,00 (0,32)	94,00 (3,70)	44,00 (1,73)	44,00 (1,73)	25,40x1,65 (1,00x0,065)	76,20x1,65 (3,00x0,065)	12,70x1,65 (0,50x0,065)

(*) US Tube ASTM® A269/270 – ASME BPE

SPECIFICATION:

CAD SIZE	A12	A25					
-----------------	-----	-----	--	--	--	--	--

NET VOLUME⁽¹⁾	ml	2,86	32,14				
---------------------------------	----	------	-------	--	--	--	--

⁽¹⁾ Internal valve cavity only, for each cavity, with diaphragm on site

MATERIAL	1,4435-BN2 - Low Ferrite - Low Sulphur						
-----------------	--	--	--	--	--	--	--

Design Temperature: -80 to 200 °C (-112 to 392 °F)

Application Areas: SAFE

Design Pressure, Valve Body: -1 to 10 bar (-14.5 to 145 psi)

Note: The applied actuator and diaphragm may have different design temperature and/or pressure limits. The weakest component determines the maximum design temperature and pressure limits, when they are assembled.

Surface Roughness: Internal surface (manually polished) $Ra \leq 0.3\mu\text{m}$ (16 μin)
External surface $Ra \leq 0.5\mu\text{m}$ (20 μin)

Surface Treatment: Available also on EP version - Elettropolishing after manual polished

Labeling: Each valve body is labeled for full LOT traceability

Packaging: Valve body is sealed in plastic bags and packaged in a closed box with Operating and Maintenance bulletin, Certificate of Conformity and Materials Certification 3.1

Quality Control: Quality Assurance System guarantees the control and traceability of the product.

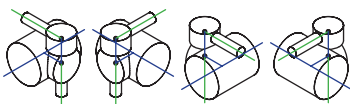
Rules Compliances: CAD valve are on going to be classified for PED Directive 97/23/EC and fulfill ASME BPE Standards

Standard design: Shut Off bodies are available also to 180°, tangential outlet Left or Right

Options: For non-standard CAD Valve body Options, please contact us for further information.

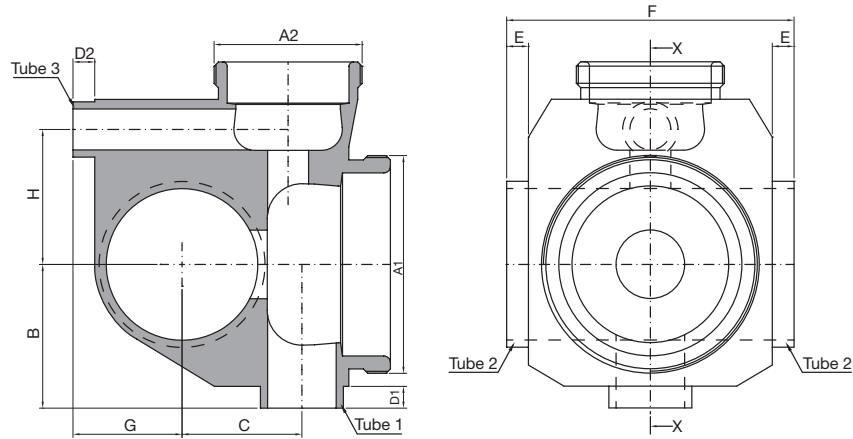
Orders and Information: For additional information or to place a order call your nearest Distributor or visit www.rattiinox.com

Horizontal Assembly



TECHNICAL INFORMATION _ CAT. N. YU## SOCL SOCL A3812

COAXIAL SHUT OFF 90 VALVE 38 ON PIPE + SIP VALVE 12



Clean and Aseptic Valves of CAD Product Line have simple and safe design, with their full drainability, without asymptotic seal and dead leg, are offering fast cleanability and sterilization practices. They are designed to fulfill stringent demands of CIP-SIP and Production Cycles on Aseptic Processing.

YU## - SOCL - SOCL - Coaxial Shut Off on Pipe Valves + SIP Valve for SAFE areas designed to feed or take off fluids or gases from the process piping with Zero dead leg. The satellite valve may be used for CIP-SIP process of the Valve on Pipe body and their downstream pipeline. Body shape with flush flow seal on pipe and their internal design offer a very reliable component for Aseptic Processing Application. Standard version are short butt weld ends but, on demand, may be delivered for orbital welding or with Tri-Clamp connections.

CODE	A 1	A 2	B mm (inch)	C mm (inch)	D1 mm (inch)	D2 mm (inch)	E mm (inch)	F mm (inch)	G mm (inch)	H mm (inch)	TUBE 1* mm (inch)	TUBE 2* mm (inch)	TUBE 3* mm (inch)
YU38-SOCL-SOCL-A3812	M80x1,5	M34x1	60,00 (2,36)	37,50 (1,48)	21,00 (0,83)	5,00 (0,20)	21,00 (0,83)	120,00 (4,72)	25,00 (0,98)	44,00 (1,73)	38,10x1,65 (1,50x0,065)	38,10x1,65 (1,50x0,065)	12,70x1,65 (0,50x0,065)
YU50-SOCL-SOCL-A3812	M80x1,5	M34x1	60,00 (2,36)	44,00 (1,73)	21,00 (0,83)	5,00 (0,20)	21,00 (0,83)	120,00 (4,72)	31,50 (1,24)	44,00 (1,73)	38,10x1,65 (1,50x0,065)	50,80x1,65 (2,00x0,065)	12,70x1,65 (0,50x0,065)
YU63-SOCL-SOCL-A3812	M80x1,5	M34x1	60,00 (2,36)	50,50 (1,99)	21,00 (0,83)	5,00 (0,20)	21,00 (0,83)	120,00 (4,72)	38,00 (1,50)	44,00 (1,73)	38,10x1,65 (1,50x0,065)	63,50x1,65 (2,50x0,065)	12,70x1,65 (0,50x0,065)
YU76-SOCL-SOCL-A3812	M80x1,5	M34x1	60,00 (2,36)	56,50 (2,22)	21,00 (0,83)	5,00 (0,20)	21,00 (0,83)	120,00 (4,72)	44,00 (1,73)	44,00 (1,73)	38,10x1,65 (1,50x0,065)	76,20x1,65 (3,00x0,065)	12,70x1,65 (0,50x0,065)

(*) US Tube ASTM® A269/270 – ASME BPE

SPECIFICATION:

CAD SIZE	A12	A38					
-----------------	-----	-----	--	--	--	--	--

NET VOLUME⁽¹⁾	ml	2,86	86,89				
---------------------------------	----	------	-------	--	--	--	--

⁽¹⁾ Internal valve cavity only, for each cavity, with diaphragm on site

MATERIAL	1,4435-BN2 - Low Ferrite - Low Sulphur						
-----------------	--	--	--	--	--	--	--

Design Temperature: -80 to 200 °C (-112 to 392 °F)

Application Areas: SAFE

Design Pressure, Valve Body: -1 to 10 bar (-14.5 to 145 psi)

Note: The applied actuator and diaphragm may have different design temperature and/or pressure limits. The weakest component determines the maximum design temperature and pressure limits, when they are assembled.

Surface Roughness: Internal surface (manually polished) Ra ≤ 0.3µm (16µin)
External surface Ra ≤ 0.5µm (20µin)

Surface Treatment: Available also on EP version - Eleetro polishing after manual polished

Labeling: Each valve body is labeled for full LOT traceability

Packaging: Valve body is sealed in plastic bags and packaged in a closed box with Operating and Maintenance bulletin, Certificate of Conformity and Materials Certification 3.1

Quality Control: Quality Assurance System guarantees the control and traceability of the product.

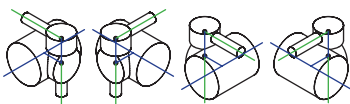
Rules Compliances: CAD valve are on going to be classified for PED Directive 97/23/EC and fulfill ASME BPE Standards

Standard design: Shut Off bodies are available also to 180°, tangential outlet Left or Right

Options: For non-standard CAD Valve body Options, please contact us for further information.

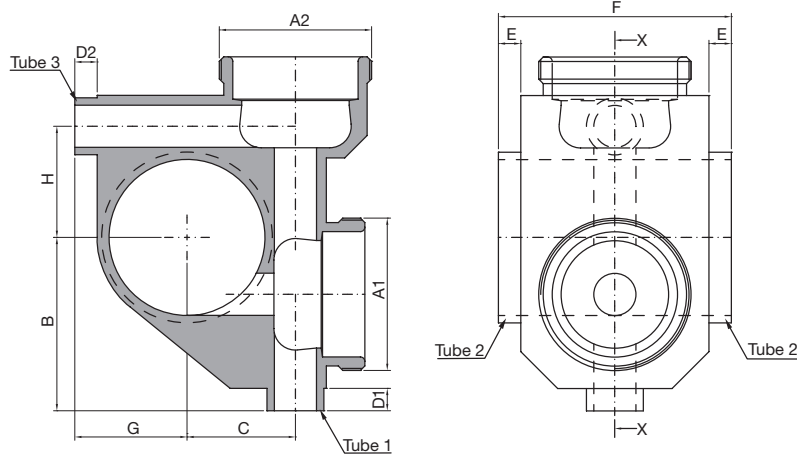
Orders and Information: For additional information or to place a order call your nearest Distributor or visit www.rattiinox.com

Horizontal Assembly



TECHNICAL INFORMATION _ CAT. N. YH## SOCL SOCL A1212

TANGENTIAL SHUT OFF 90 VALVE 12 ON PIPE + SIP VALVE 12



Clean and Aseptic Valves of CAD Product Line have simple and safe design, with their full drainability, without asymptotic seal and dead leg, are offering fast cleanability and sterilization practices. They are designed to fulfill stringent demands of CIP-SIP and Production Cycles on Aseptic Processing.

YH## - SOCL - SOCL - Tangential Shut Off on Pipe Valves + SIP Valve for SAFE areas designed to feed or take off fluids or gases from the process piping with Zero dead leg. Valve inlet is tangential allowing full drainability of the pipeline through the horizontal valve assembly. The satellite valve may be used for CIP-SIP process of the Valve on Pipe body and the their downstream pipeline. Body shape and their internal design offer a very reliable component for Aseptic Processing Application. Standard version are short butt weld ends but, on demand, may be delivered for orbital welding or with Tri-Clamp connections.

CODE	A 1	A 2	B mm (inch)	C mm (inch)	D1 mm (inch)	D2 mm (inch)	E mm (inch)	F mm (inch)	G mm (inch)	H mm (inch)	TUBE 1* mm (inch)	TUBE 2* mm (inch)	TUBE 3* mm (inch)
YH19-SOCL-SOCL-A1212	M34x1	M34x1	29,00 (1,14)	14,50 (0,57)	5,00 (0,20)	5,00 (0,20)	8,00 (0,32)	52,00 (2,05)	15,50 (0,61)	28,50 (1,12)	12,70x1,65 (0,50x0,065)	19,05x1,65 (0,75x0,065)	12,70x1,65 (0,50x0,065)
YH25-SOCL-SOCL-A1212	M34x1	M34x1	32,50 (1,28)	18,00 (1,10)	5,00 (0,20)	5,00 (0,20)	8,00 (0,32)	52,00 (2,05)	18,50 (0,73)	25,00 (0,98)	12,70x1,65 (0,50x0,065)	25,40x1,65 (1,00x0,065)	12,70x1,65 (0,50x0,065)
YH38-SOCL-SOCL-A1212	M34x1	M34x1	38,50 (1,52)	24,00 (0,95)	5,00 (0,20)	5,00 (0,20)	8,00 (0,32)	52,00 (2,05)	25,00 (0,98)	25,00 (0,98)	12,70x1,65 (0,50x0,065)	38,10x1,65 (1,50x0,065)	12,70x1,65 (0,50x0,065)
YH50-SOCL-SOCL-A1212	M34x1	M34x1	45,00 (1,77)	30,50 (1,20)	5,00 (0,20)	5,00 (0,20)	8,00 (0,32)	52,00 (2,05)	31,00 (1,22)	31,50 (1,24)	12,70x1,65 (0,50x0,065)	50,80x1,65 (2,00x0,065)	12,70x1,65 (0,50x0,065)

(*) US Tube ASTM® A269/270 – ASME BPE

SPECIFICATION:

CAD SIZE	A12						
-----------------	-----	--	--	--	--	--	--

NET VOLUME⁽¹⁾	ml	2,86					
---------------------------------	----	------	--	--	--	--	--

⁽¹⁾ Internal valve cavity only, for each cavity, with diaphragm on site

MATERIAL	1,4435-BN2 - Low Ferrite - Low Sulphur						
-----------------	--	--	--	--	--	--	--

Design Temperature: -80 to 200 °C (-112 to 392 °F)

Application Areas: SAFE

Design Pressure, Valve Body: -1 to 10 bar (-14.5 to 145 psi)

Note: The applied actuator and diaphragm may have different design temperature and/or pressure limits. The weakest component determines the maximum design temperature and pressure limits, when they are assembled.

Surface Roughness: Internal surface (manually polished) Ra ≤ 0.3µm (16µin)
External surface Ra ≤ 0.5µm (20µin)

Surface Treatment: Available also on EP version - Elettropolishing after manual polished

Labeling: Each valve body is labeled for full LOT traceability

Packaging: Valve body is sealed in plastic bags and packaged in a closed box with Operating and Maintenance bulletin, Certificate of Conformity and Materials Certification 3.1

Quality Control: Quality Assurance System guarantees the control and traceability of the product.

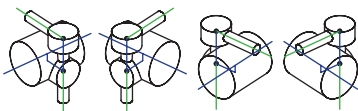
Rules Compliances: CAD valve are on going to be classified for PED Directive 97/23/EC and fulfill ASME BPE Standards

Standard design: Shut Off bodies are available also to 180°, tangential outlet Left or Right

Options: For non-standard CAD Valve body Options, please contact us for further information.

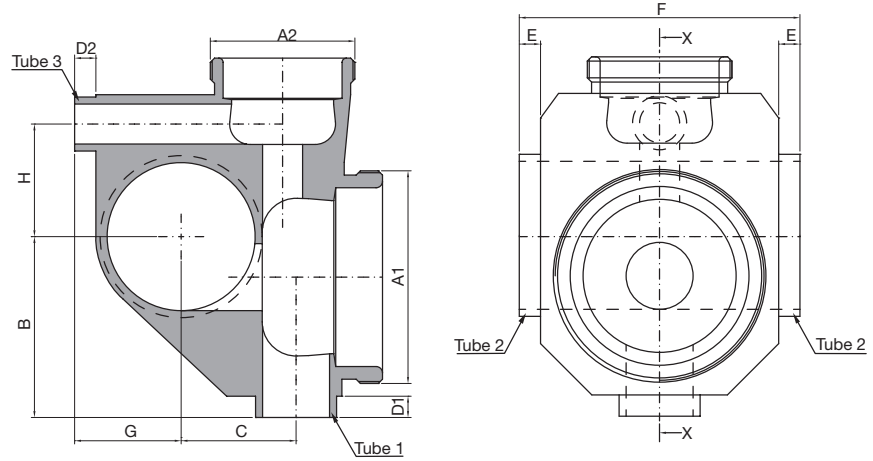
Orders and Information: For additional information or to place a order call your nearest Distributor or visit www.rattiinox.com

Horizontal Assembly



TECHNICAL INFORMATION _ CAT. N. YH## SOCL SOCL A1912

TANGENTIAL SHUT OFF 90 VALVE 19 ON PIPE + SIP VALVE 12



Clean and Aseptic Valves of CAD Product Line have simple and safe design, with their full drainability, without asymptotic seal and dead leg, are offering fast cleanability and sterilization practices. They are designed to fulfill stringent demands of CIP-SIP and Production Cycles on Aseptic Processing.

YH## - SOCL - SOCL - Tangential Shut Off on Pipe Valves + SIP Valve for SAFE areas designed to feed or take off fluids or gases from the process piping with Zero dead leg. Valve inlet is tangential allowing full drainability of the pipeline through the horizontal valve assembly. The satellite valve may be used for CIP-SIP process of the Valve on Pipe body and the their downstream pipeline. Body shape and their internal design offer a very reliable component for Aseptic Processing Application. Standard version are short butt weld ends but, on demand, may be delivered for orbital welding or with Tri-Clamp connections.

CODE	A 1	A 2	B mm (inch)	C mm (inch)	D1 mm (inch)	D2 mm (inch)	E mm (inch)	F mm (inch)	G mm (inch)	H mm (inch)	TUBE 1* mm (inch)	TUBE 2* mm (inch)	TUBE 3* mm (inch)
YH25-SOCL-SOCL-A1912	M50x1	M34x1	36,00 (1,42)	21,00 (0,83)	5,00 (0,20)	5,00 (0,20)	8,00 (0,32)	66,00 (2,60)	19,00 (0,75)	28,00 (1,10)	19,05x1,65 (0,75x0,065)	25,40x1,65 (1,00x0,065)	12,70x1,65 (0,50x0,065)
YH38-SOCL-SOCL-A1912	M50x1	M34x1	42,50 (1,67)	27,50 (1,08)	5,00 (0,20)	5,00 (0,20)	8,00 (0,32)	66,00 (2,60)	25,00 (0,98)	26,50 (1,04)	19,05x1,65 (0,75x0,065)	38,10x1,65 (1,50x0,065)	12,70x1,65 (0,50x0,065)
YH50-SOCL-SOCL-A1912	M50x1	M34x1	49,00 (1,93)	34,00 (1,34)	5,00 (0,20)	5,00 (0,20)	8,00 (0,32)	66,00 (2,60)	31,50 (1,24)	30,50 (1,20)	19,05x1,65 (0,75x0,065)	50,80x1,65 (2,00x0,065)	12,70x1,65 (0,50x0,065)
YH63-SOCL-SOCL-A1912	M50x1	M34x1	60,00 (2,36)	40,50 (1,60)	5,00 (0,20)	5,00 (0,20)	8,00 (0,32)	66,00 (2,60)	38,00 (1,50)	37,00 (1,46)	19,05x1,65 (0,75x0,065)	63,50x1,65 (2,50x0,065)	12,70x1,65 (0,50x0,065)
YH76-SOCL-SOCL-A1912	M50x1	M34x1	72,50 (2,85)	46,50 (1,83)	5,00 (0,20)	5,00 (0,20)	8,00 (0,32)	66,00 (2,60)	44,00 (1,73)	44,00 (1,73)	19,05x1,65 (0,75x0,065)	76,20x1,65 (3,00x0,065)	12,70x1,65 (0,50x0,065)

(*) US Tube ASTM® A269/270 – ASME BPE

SPECIFICATION:

CAD SIZE	A12	A19					
-----------------	-----	-----	--	--	--	--	--

NET VOLUME⁽¹⁾	ml	2,86	10,23				
---------------------------------	----	------	-------	--	--	--	--

⁽¹⁾ Internal valve cavity only, for each cavity, with diaphragm on site

MATERIAL	1,4435-BN2 - Low Ferrite - Low Sulphur						
-----------------	--	--	--	--	--	--	--

Design Temperature: -80 to 200 °C (-112 to 392 °F)

Application Areas: SAFE

Design Pressure, Valve Body: -1 to 10 bar (-14.5 to 145 psi)

Note: The applied actuator and diaphragm may have different design temperature and/or pressure limits. The weakest component determines the maximum design temperature and pressure limits, when they are assembled.

Surface Roughness: Internal surface (manually polished) Ra ≤ 0.3µm (16µin)
External surface Ra ≤ 0.5µm (20µin)

Surface Treatment: Available also on EP version - Eletropolishing after manual polished

Labeling: Each valve body is labeled for full LOT traceability

Packaging: Valve body is sealed in plastic bags and packaged in a closed box with Operating and Maintenance bulletin, Certificate of Conformity and Materials Certification 3.1

Quality Control: Quality Assurance System guarantees the control and traceability of the product.

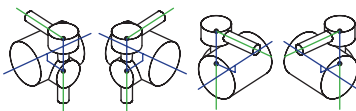
Rules Compliances: CAD valve are on going to be classified for PED Directive 97/23/EC and fulfill ASME BPE Standards

Standard design: Shut Off bodies are available also to 180°, tangential outlet Left or Right

Options: For non-standard CAD Valve body Options, please contact us for further information.

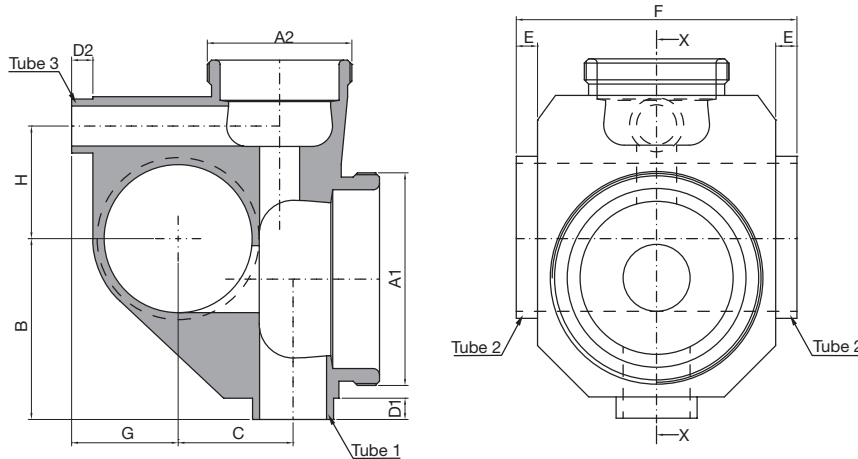
Orders and Information: For additional information or to place a order call your nearest Distributor or visit www.rattiinox.com

Horizontal Assembly



TECHNICAL INFORMATION _ CAT. N. YH## SOCL SOCL A2512

TANGENTIAL SHUT OFF 90 VALVE 25 ON PIPE + SIP VALVE 12



Clean and Aseptic Valves of CAD Product Line have simple and safe design, with their full drainability, without asymptotic seal and dead leg, are offering fast cleanability and sterilization practices. They are designed to fulfill stringent demands of CIP-SIP and Production Cycles on Aseptic Processing.

YH## - SOCL - SOCL - Tangential Shut Off on Pipe Valves + SIP Valve for SAFE areas designed to feed or take off fluids or gases from the process piping with Zero dead leg. Valve inlet is tangential allowing full drainability of the pipeline through the horizontal valve assembly. The satellite valve may be used for CIP-SIP process of the Valve on Pipe body and the their downstream pipeline. Body shape and their internal design offer a very reliable component for Aseptic Processing Application. Standard version are short butt weld ends but, on demand, may be delivered for orbital welding or with Tri-Clamp connections.

CODE	A 1	A 2	B mm (inch)	C mm (inch)	D1 mm (inch)	D2 mm (inch)	E mm (inch)	F mm (inch)	G mm (inch)	H mm (inch)	TUBE 1* mm (inch)	TUBE 2* mm (inch)	TUBE 3* mm (inch)
YH38-SOCL-SOCL-A2512	M70x1	M34x1	53,50 (2,10)	30,50 (1,20)	5,00 (0,20)	5,00 (0,20)	8,00 (0,32)	94,00 (3,70)	25,00 (0,98)	30,50 (1,20)	25,40x1,65 (1,00x0,065)	38,10x1,65 (1,50x0,065)	12,70x1,65 (0,50x0,065)
YH50-SOCL-SOCL-A2512	M70x1	M34x1	59,50 (2,34)	37,00 (1,46)	5,00 (0,20)	5,00 (0,20)	8,00 (0,32)	94,00 (3,70)	31,50 (1,24)	31,50 (1,24)	25,40x1,65 (1,00x0,065)	50,80x1,65 (2,00x0,065)	12,70x1,65 (0,50x0,065)
YH63-SOCL-SOCL-A2512	M70x1	M34x1	66,00 (2,60)	43,50 (1,71)	5,00 (0,20)	5,00 (0,20)	8,00 (0,32)	94,00 (3,70)	37,50 (1,84)	38,00 (1,50)	25,40x1,65 (1,00x0,065)	63,50x1,65 (2,50x0,065)	12,70x1,65 (0,50x0,065)
YH76-SOCL-SOCL-A2512	M70x1	M34x1	72,50 (2,85)	50,00 (1,97)	5,00 (0,20)	5,00 (0,20)	8,00 (0,32)	94,00 (3,70)	44,00 (1,73)	44,50 (1,75)	25,40x1,65 (1,00x0,065)	76,20x1,65 (3,00x0,065)	12,70x1,65 (0,50x0,065)

(*) US Tube ASTM® A269/270 – ASME BPE

SPECIFICATION:

CAD SIZE	A12	A25					
-----------------	-----	-----	--	--	--	--	--

NET VOLUME⁽¹⁾	ml	2,86	32,14				
---------------------------------	----	------	-------	--	--	--	--

⁽¹⁾ Internal valve cavity only, for each cavity, with diaphragm on site

MATERIAL	1,4435-BN2 - Low Ferrite - Low Sulphur						
-----------------	--	--	--	--	--	--	--

Design Temperature: -80 to 200 °C (-112 to 392 °F)

Application Areas: SAFE

Design Pressure, Valve Body: -1 to 10 bar (-14.5 to 145 psi)

Note: The applied actuator and diaphragm may have different design temperature and/or pressure limits. The weakest component determines the maximum design temperature and pressure limits, when they are assembled.

Surface Roughness: Internal surface (manually polished) $Ra \leq 0.3\mu m$ (16 μin)
 External surface $Ra \leq 0.5\mu m$ (20 μin)

Surface Treatment: Available also on EP version - Eletropolishing after manual polished

Labeling: Each valve body is labeled for full LOT traceability

Packaging: Valve body is sealed in plastic bags and packaged in a closed box with Operating and Maintenance bulletin, Certificate of Conformity and Materials Certification 3.1

Quality Control: Quality Assurance System guarantees the control and traceability of the product.

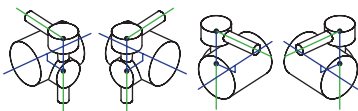
Rules Compliances: CAD valve are on going to be classified for PED Directive 97/23/EC and fulfill ASME BPE Standards

Standard design: Shut Off bodies are available also to 180°, tangential outlet Left or Right

Options: For non-standard CAD Valve body Options, please contact us for further information.

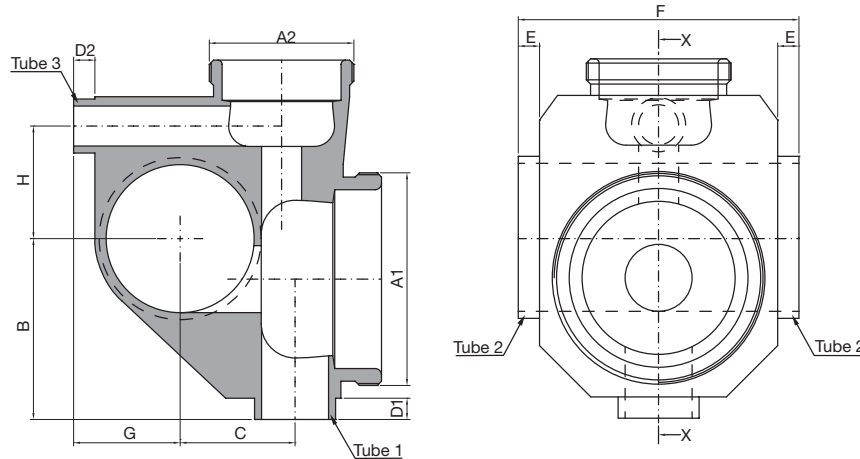
Orders and Information: For additional information or to place a order call your nearest Distributor or visit www.rattiinox.com

Horizontal Assembly



TECHNICAL INFORMATION _ CAT. N. YH## SOCL SOCL A3812

TANGENTIAL SHUT OFF 90 VALVE 38 ON PIPE + SIP VALVE 12



Clean and Aseptic Valves of CAD Product Line have simple and safe design, with their full drainability, without asymptotic seal and dead leg, are offering fast cleanability and sterilization practices. They are designed to fulfill stringent demands of CIP-SIP and Production Cycles on Aseptic Processing.

YH## - SOCL - SOCL - Tangential Shut Off on Pipe Valves + SIP Valve for SAFE areas designed to feed or take off fluids or gases from the process piping with Zero dead leg. Valve inlet is tangential allowing full drainability of the pipeline through the horizontal valve assembly. The satellite valve may be used for CIP-SIP process of the Valve on Pipe body and the their downstream pipeline. Body shape and their internal design offer a very reliable component for Aseptic Processing Application. Standard version are short butt weld ends but, on demand, may be delivered for orbital welding or with Tri-Clamp connections.

CODE	A 1	A 2	B mm (inch)	C mm (inch)	D1 mm (inch)	D2 mm (inch)	E mm (inch)	F mm (inch)	G mm (inch)	H mm (inch)	TUBE 1* mm (inch)	TUBE 2* mm (inch)	TUBE 3* mm (inch)
YH50-SOCL-SOCL-A3812	M80x1,5	M34x1	66,50 (2,62)	43,50 (1,71)	21,00 (0,83)	5,00 (0,20)	21,00 (0,83)	120,00 (4,72)	31,50 (1,24)	37,50 (1,48)	38,10x1,65 (1,50x0,065)	50,80x1,65 (2,00x0,065)	12,70x1,65 (0,50x0,065)
YH63-SOCL-SOCL-A3812	M80x1,5	M34x1	72,50 (2,85)	50,00 (1,97)	21,00 (0,83)	5,00 (0,20)	21,00 (0,83)	120,00 (4,72)	38,00 (1,50)	37,50 (1,48)	38,10x1,65 (1,50x0,065)	63,50x1,65 (2,50x0,065)	12,70x1,65 (0,50x0,065)
YH76-SOCL-SOCL-A3812	M80x1,5	M34x1	79,00 (3,11)	56,00 (2,21)	21,00 (0,83)	5,00 (0,20)	21,00 (0,83)	120,00 (4,72)	44,00 (1,73)	45,00 (1,77)	38,10x1,65 (1,50x0,065)	76,20x1,65 (3,00x0,065)	12,70x1,65 (0,50x0,065)

(*) US Tube ASTM® A269/270 – ASME BPE

SPECIFICATION:

CAD SIZE	A12	A38					
-----------------	-----	-----	--	--	--	--	--

NET VOLUME⁽¹⁾	ml	2,86	86,89				
---------------------------------	----	------	-------	--	--	--	--

⁽¹⁾ Internal valve cavity only, for each cavity, with diaphragm on site

MATERIAL	1,4435-BN2 - Low Ferrite - Low Sulphur						
-----------------	--	--	--	--	--	--	--

Design Temperature: -80 to 200 °C (-112 to 392 °F)

Application Areas: SAFE

Design Pressure, Valve Body: -1 to 10 bar (-14.5 to 145 psi)

Note: The applied actuator and diaphragm may have different design temperature and/or pressure limits. The weakest component determines the maximum design temperature and pressure limits, when they are assembled.

Surface Roughness: Internal surface (manually polished) $Ra \leq 0.3\mu\text{m}$ (16 μin)
External surface $Ra \leq 0.5\mu\text{m}$ (20 μin)

Surface Treatment: Available also on EP version - Electropolishing after manual polished

Labeling: Each valve body is labeled for full LOT traceability

Packaging: Valve body is sealed in plastic bags and packaged in a closed box with Operating and Maintenance bulletin, Certificate of Conformity and Materials Certification 3.1

Quality Control: Quality Assurance System guarantees the control and traceability of the product.

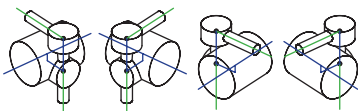
Rules Compliances: CAD valve are on going to be classified for PED Directive 97/23/EC and fulfill ASME BPE Standards

Standard design: Shut Off bodies are available also to 180°, tangential outlet Left or Right

Options: For non-standard CAD Valve body Options, please contact us for further information.

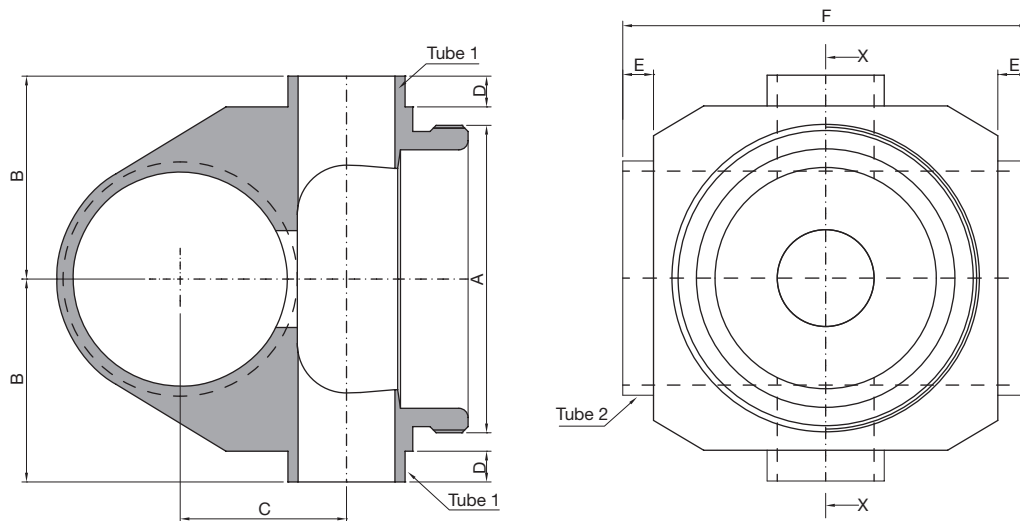
Orders and Information: For additional information or to place a order call your nearest Distributor or visit www.rattiinox.com

Horizontal Assembly



TECHNICAL INFORMATION _ CAT. N. YP## FTCI 0000 A1200

COAXIAL FLOW THROUGH 180 VALVE 12 ON PIPE



Clean and Aseptic Valves of CAD Product Line have simple and safe design, with their full drainability, without asymptotic seal and dead leg, are offering fast cleanability and sterilization practices. They are designed to fulfill stringent demands of CIP-SIP and Production Cycles on Aseptic Processing.

YT## - FTCI - Coaxial Flow Through on Pipe Valves for SAFE areas designed to feed or take off fluids or gases from the process piping with Zero dead leg. Body shape with flush flow seal on pipe and their internal design offer a very reliable component for Aseptic Processing Application. Standard version are short butt weld ends but, on demand, may be delivered for orbital welding or with Tri-Clamp connections.

CODE	A	B mm (inch)	C mm (inch)	D mm (inch)	E mm (inch)	F mm (inch)	TUBE 1* mm (inch)	TUBE 2* mm (inch)
YP12-FTCI-0000-A1200	M34x1	26,00 (1,02)	11,00 (0,43)	5,00 (0,20)	8,00 (0,32)	52,00 (2,05)	12,70x1,65 (0,50x0,065)	12,70x1,65 (0,50x0,065)
YP19-FTCI-0000-A1200	M34x1	26,00 (1,02)	14,00 (0,55)	5,00 (0,20)	8,00 (0,32)	52,00 (2,05)	12,70x1,65 (0,50x0,065)	19,05x1,65 (0,75x0,065)
YP25-FTCI-0000-A1200	M34x1	26,00 (1,02)	17,50 (0,69)	5,00 (0,20)	8,00 (0,32)	52,00 (2,05)	12,70x1,65 (0,50x0,065)	25,40x1,65 (1,00x0,065)
YP38-FTCI-0000-A1200	M34x1	26,00 (1,02)	23,50 (0,93)	5,00 (0,20)	8,00 (0,32)	52,00 (2,05)	12,70x1,65 (0,50x0,065)	38,10x1,65 (1,50x0,065)
YP50-FTCI-0000-A1200	M34x1	31,00 (1,22)	30,00 (1,18)	5,00 (0,20)	8,00 (0,32)	52,00 (2,05)	12,70x1,65 (0,50x0,065)	50,80x1,65 (2,00x0,065)
YP63-FTCI-0000-A1200	M34x1	38,00 (1,50)	36,50 (1,44)	5,00 (0,20)	8,00 (0,32)	52,00 (2,05)	12,70x1,65 (0,50x0,065)	63,50x1,65 (2,50x0,065)
YP76-FTCI-0000-A1200	M34x1	44,00 (1,73)	43,00 (1,69)	5,00 (0,20)	8,00 (0,32)	52,00 (2,05)	12,70x1,65 (0,50x0,065)	76,20x1,65 (3,00x0,065)

(*) US Tube ASTM® A269/270 – ASME BPE

SPECIFICATION:

CAD SIZE	A12						
-----------------	-----	--	--	--	--	--	--

NET VOLUME⁽¹⁾	ml	2,86					
---------------------------------	----	------	--	--	--	--	--

⁽¹⁾ Internal valve cavity only, with diaphragm on site

MATERIAL	1,4435-BN2 - Low Ferrite - Low Sulphur
-----------------	--

Design Temperature: -80 to 200 °C (-112 to 392 °F)

Application Areas: SAFE

Design Pressure, Valve Body: -1 to 10 bar (-14.5 to 145 psi)

Note: The applied actuator and diaphragm may have different design temperature and/or pressure limits. The weakest component determines the maximum design temperature and pressure limits, when they are assembled.

Surface Roughness: Internal surface (manually polished) $Ra \leq 0.3\mu m$ (16 μin)
External surface $Ra \leq 0.5\mu m$ (20 μin)

Surface Treatment: Available also on EP version - Electropolishing after manual polished

Labeling: Each valve body is labeled for full LOT traceability

Packaging: Valve body is sealed in plastic bags and packaged in a closed box with Operating and Maintenance bulletin, Certificate of Conformity and Materials Certification 3.1

Quality Control: Quality Assurance System guarantees the control and traceability of the product.

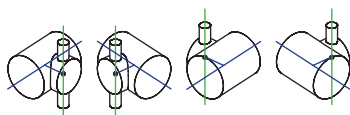
Rules Compliances: CAD valve are on going to be classified for PED Directive 97/23/EC and fulfill ASME BPE Standards

Standard design: Shut Off bodies are available also to 180°, tangential outlet Left or Right

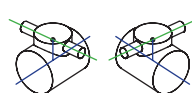
Options: For non-standard CAD Valve body Options, please contact us for further information.

Orders and Information: For additional information or to place a order call your nearest Distributor or visit www.rattiinox.com

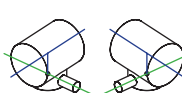
Horizontal Assembly



Vertical Assembly

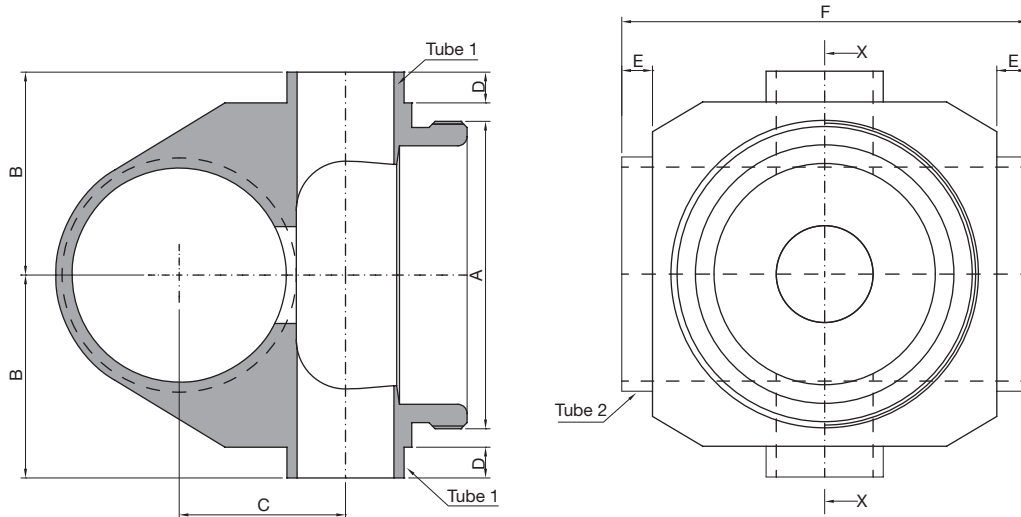


Upside-Down Assembly



TECHNICAL INFORMATION _ CAT. N. YP## FTCI 0000 A1900

COAXIAL FLOW THROUGH 180 VALVE 19 ON PIPE



Clean and Aseptic Valves of CAD Product Line have simple and safe design, with their full drainability, without asymptotic seal and dead leg, are offering fast cleanability and sterilization practices. They are designed to fulfill stringent demands of CIP-SIP and Production Cycles on Aseptic Processing.

YT## - FTCI - Coaxial Flow Through on Pipe Valves for SAFE areas designed to feed or take off fluids or gases from the process piping with Zero dead leg. Body shape with flush flow seal on pipe and their internal design offer a very reliable component for Aseptic Processing Application. Standard version are short butt weld ends but, on demand, may be delivered for orbital welding or with Tri-Clamp connections.

CODE	A	B mm (inch)	C mm (inch)	D mm (inch)	E mm (inch)	F mm (inch)	TUBE 1* mm (inch)	TUBE 2* mm (inch)
YP19-FTCI-0000-A1900	M50x1	33,00 (1,30)	17,50 (0,69)	5,00 (0,20)	8,00 (0,32)	66,00 (2,60)	19,50x1,65 (0,75x0,065)	19,50x1,65 (0,75x0,065)
YP25-FTCI-0000-A1900	M50x1	33,00 (1,30)	21,00 (0,83)	5,00 (0,20)	8,00 (0,32)	66,00 (2,60)	19,50x1,65 (0,75x0,065)	25,40x1,65 (1,00x0,065)
YP38-FTCI-0000-A1900	M50x1	33,00 (1,30)	27,00 (1,06)	5,00 (0,20)	8,00 (0,32)	66,00 (2,60)	19,50x1,65 (0,75x0,065)	38,10x1,65 (1,50x0,065)
YP50-FTCI-0000-A1900	M50x1	33,00 (1,30)	33,50 (1,32)	5,00 (0,20)	8,00 (0,32)	66,00 (2,60)	19,50x1,65 (0,75x0,065)	50,80x1,65 (2,00x0,065)
YP63-FTCI-0000-A1900	M50x1	38,00 (1,30)	40,00 (1,58)	5,00 (0,20)	8,00 (0,32)	66,00 (2,60)	19,50x1,65 (0,75x0,065)	63,50x1,65 (2,50x0,065)
YP76-FTCI-0000-A1900	M50x1	44,00 (1,73)	46,00 (1,81)	5,00 (0,20)	8,00 (0,32)	66,00 (2,60)	19,50x1,65 (0,75x0,065)	76,20x1,65 (3,00x0,065)

(*) US Tube ASTM® A269/270 – ASME BPE

SPECIFICATION:

CAD SIZE	A19						
-----------------	-----	--	--	--	--	--	--

NET VOLUME⁽¹⁾	ml	10,23					
---------------------------------	----	-------	--	--	--	--	--

⁽¹⁾ Internal valve cavity only, with diaphragm on site

MATERIAL	1,4435-BN2 - Low Ferrite - Low Sulphur						
-----------------	--	--	--	--	--	--	--

Design Temperature: -80 to 200 °C (-112 to 392 °F)

Application Areas: SAFE

Design Pressure, Valve Body: -1 to 10 bar (-14.5 to 145 psi)

Note: The applied actuator and diaphragm may have different design temperature and/or pressure limits. The weakest component determines the maximum design temperature and pressure limits, when they are assembled.

Surface Roughness: Internal surface (manually polished) $Ra \leq 0.3\mu m$ (16 μin)
External surface $Ra \leq 0.5\mu m$ (20 μin)

Surface Treatment: Available also on EP version - Eletropolishing after manual polished

Labeling: Each valve body is labeled for full LOT traceability

Packaging: Valve body is sealed in plastic bags and packaged in a closed box with Operating and Maintenance bulletin, Certificate of Conformity and Materials Certification 3.1

Quality Control: Quality Assurance System guarantees the control and traceability of the product.

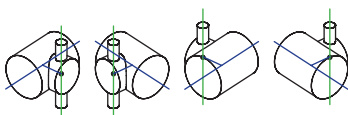
Rules Compliances: CAD valve are on going to be classified for PED Directive 97/23/EC and fulfill ASME BPE Standards

Standard design: Shut Off bodies are available also to 180°, tangential outlet Left or Right

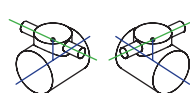
Options: For non-standard CAD Valve body Options, please contact us for further information.

Orders and Information: For additional information or to place a order call your nearest Distributor or visit www.rattiinox.com

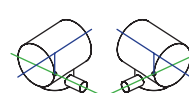
Horizontal Assembly



Vertical Assembly

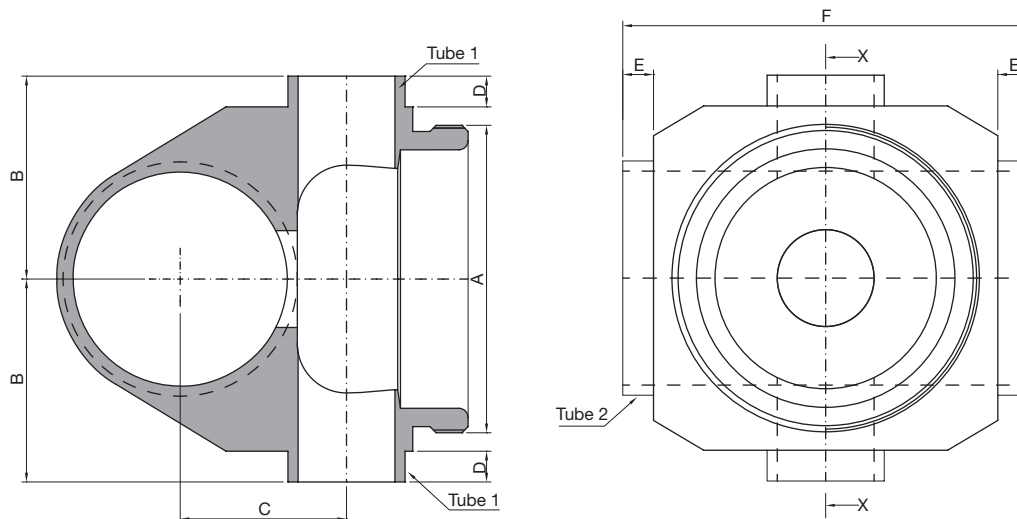


Upside-Down Assembly



TECHNICAL INFORMATION _ CAT. N. YP## FTCI 0000 A2500

COAXIAL FLOW THROUGH 180 VALVE 25 ON PIPE



Clean and Aseptic Valves of CAD Product Line have simple and safe design, with their full drainability, without asymptotic seal and dead leg, are offering fast cleanability and sterilization practices. They are designed to fulfill stringent demands of CIP-SIP and Production Cycles on Aseptic Processing.

YT## - FTCI - Coaxial Flow Through on Pipe Valves for SAFE areas designed to feed or take off fluids or gases from the process piping with Zero dead leg. Body shape with flush flow seal on pipe and their internal design offer a very reliable component for Aseptic Processing Application. Standard version are short butt weld ends but, on demand, may be delivered for orbital welding or with Tri-Clamp connections.

CODE	A	B mm (inch)	C mm (inch)	D mm (inch)	E mm (inch)	F mm (inch)	TUBE 1* mm (inch)	TUBE 2* mm (inch)
YP25-FTCI-0000-A2500	M70x1	47,00 (1,85)	24,00 (0,95)	5,00 (0,20)	8,00 (0,32)	94,00 (3,70)	25,40x1,65 (1,00x0,065)	25,40x1,65 (1,00x0,065)
YP38-FTCI-0000-A2500	M70x1	47,00 (1,85)	30,00 (1,18)	5,00 (0,20)	8,00 (0,32)	94,00 (3,70)	25,40x1,65 (1,00x0,065)	38,10x1,65 (1,50x0,065)
YP50-FTCI-0000-A2500	M70x1	47,00 (1,85)	36,50 (1,44)	5,00 (0,20)	8,00 (0,32)	94,00 (3,70)	25,40x1,65 (1,00x0,065)	50,80x1,65 (2,00x0,065)
YP63-FTCI-0000-A2500	M70x1	47,00 (1,85)	43,00 (1,69)	5,00 (0,20)	8,00 (0,32)	94,00 (3,70)	25,40x1,65 (1,00x0,065)	63,50x1,65 (2,50x0,065)
YP76-FTCI-0000-A2500	M70x1	47,00 (1,85)	49,00 (1,93)	5,00 (0,20)	8,00 (0,32)	94,00 (3,70)	25,40x1,65 (1,00x0,065)	76,20x1,65 (3,00x0,065)

(*) US Tube ASTM® A269/270 – ASME BPE

SPECIFICATION:

CAD SIZE	A25						
-----------------	-----	--	--	--	--	--	--

NET VOLUME⁽¹⁾	ml	32,14					
---------------------------------	----	-------	--	--	--	--	--

⁽¹⁾ Internal valve cavity only, with diaphragm on site

MATERIAL	1,4435-BN2 - Low Ferrite - Low Sulphur						
-----------------	--	--	--	--	--	--	--

Design Temperature: -80 to 200 °C (-112 to 392 °F)

Application Areas: SAFE

Design Pressure, Valve Body: -1 to 10 bar (-14.5 to 145 psi)

Note: The applied actuator and diaphragm may have different design temperature and/or pressure limits. The weakest component determines the maximum design temperature and pressure limits, when they are assembled.

Surface Roughness: Internal surface (manually polished) $Ra \leq 0.3\mu m$ (16 μin)
External surface $Ra \leq 0.5\mu m$ (20 μin)

Surface Treatment: Available also on EP version - Elettropolishing after manual polished

Labeling: Each valve body is labeled for full LOT traceability

Packaging: Valve body is sealed in plastic bags and packaged in a closed box with Operating and Maintenance bulletin, Certificate of Conformity and Materials Certification 3.1

Quality Control: Quality Assurance System guarantees the control and traceability of the product.

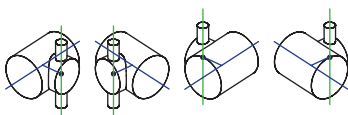
Rules Compliances: CAD valve are on going to be classified for PED Directive 97/23/EC and fulfill ASME BPE Standards

Standard design: Shut Off bodies are available also to 180°, tangential outlet Left or Right

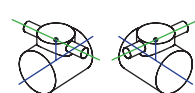
Options: For non-standard CAD Valve body Options, please contact us for further information.

Orders and Information: For additional information or to place a order call your nearest Distributor or visit www.rattiinox.com

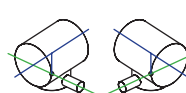
Horizontal Assembly



Vertical Assembly

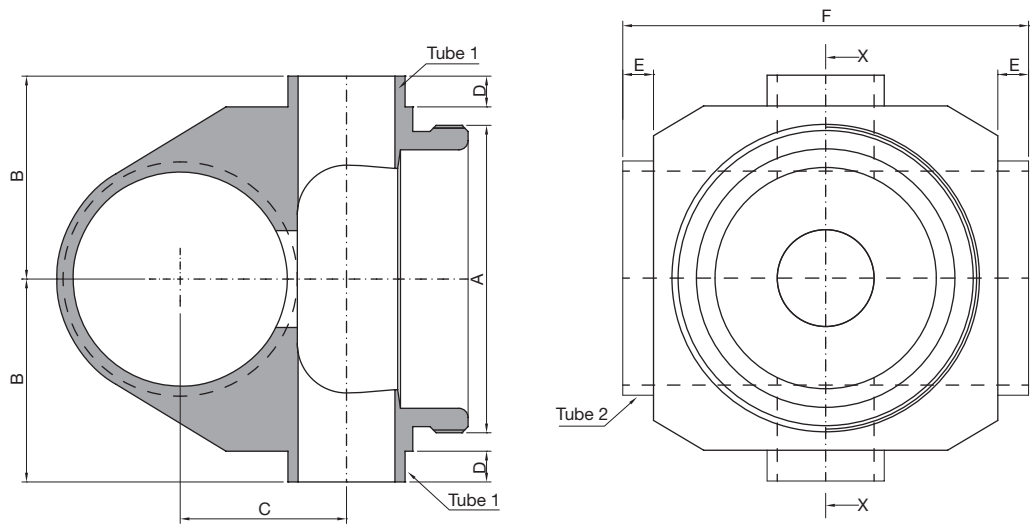


Upside-Down Assembly



TECHNICAL INFORMATION _ CAT. N. YP## FTCI 0000 A3800

COAXIAL FLOW THROUGH 180 VALVE 38 ON PIPE



Clean and Aseptic Valves of CAD Product Line have simple and safe design, with their full drainability, without asymptotic seal and dead leg, are offering fast cleanability and sterilization practices. They are designed to fulfill stringent demands of CIP-SIP and Production Cycles on Aseptic Processing.

YT## - FTCI - Coaxial Flow Through on Pipe Valves for SAFE areas designed to feed or take off fluids or gases from the process piping with Zero dead leg. Body shape with flush flow seal on pipe and their internal design offer a very reliable component for Aseptic Processing Application. Standard version are short butt weld ends but, on demand, may be delivered for orbital welding or with Tri-Clamp connections.

CODE	A	B mm (inch)	C mm (inch)	D mm (inch)	E mm (inch)	F mm (inch)	TUBE 1* mm (inch)	TUBE 2* mm (inch)
YP38-FTCI-0000-A3800	M80x1,5	60,00 (2,36)	36,50 (1,44)	21,00 (0,83)	21,00 (0,83)	120,00 (4,72)	38,10x1,65 (1,50x0,065)	38,10x1,65 (1,50x0,065)
YP50-FTCI-0000-A3800	M80x1,5	60,00 (2,36)	43,00 (1,69)	21,00 (0,83)	21,00 (0,83)	120,00 (4,72)	38,10x1,65 (1,50x0,065)	50,80x1,65 (2,00x0,065)
YP63-FTCI-0000-A3800	M80x1,5	60,00 (2,36)	49,00 (1,93)	21,00 (0,83)	21,00 (0,83)	120,00 (4,72)	38,10x1,65 (1,50x0,065)	63,50x1,65 (2,50x0,065)
YP76-FTCI-0000-A3800	M80x1,5	60,00 (2,36)	55,50 (2,19)	21,00 (0,83)	21,00 (0,83)	120,00 (4,72)	38,10x1,65 (1,50x0,065)	76,20x1,65 (3,00x0,065)

(*) US Tube ASTM® A269/270 – ASME BPE

SPECIFICATION:

CAD SIZE	A38						
-----------------	-----	--	--	--	--	--	--

NET VOLUME⁽¹⁾	ml	86,89					
---------------------------------	----	-------	--	--	--	--	--

⁽¹⁾ Internal valve cavity only, with diaphragm on site

MATERIAL	1,4435-BN2 - Low Ferrite - Low Sulphur						
-----------------	--	--	--	--	--	--	--

Design Temperature: -80 to 200 °C (-112 to 392 °F)

Application Areas: SAFE

Design Pressure, Valve Body: -1 to 10 bar (-14.5 to 145 psi)

Note: The applied actuator and diaphragm may have different design temperature and/or pressure limits. The weakest component determines the maximum design temperature and pressure limits, when they are assembled.

Surface Roughness: Internal surface (manually polished) $Ra \leq 0.3\mu m$ (16 μin)
External surface $Ra \leq 0.5\mu m$ (20 μin)

Surface Treatment: Available also on EP version - Elettropolishing after manual polished

Labeling: Each valve body is labeled for full LOT traceability

Packaging: Valve body is sealed in plastic bags and packaged in a closed box with Operating and Maintenance bulletin, Certificate of Conformity and Materials Certification 3.1

Quality Control: Quality Assurance System guarantees the control and traceability of the product.

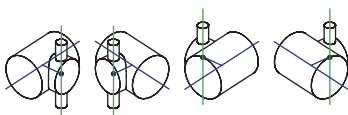
Rules Compliances: CAD valve are on going to be classified for PED Directive 97/23/EC and fulfill ASME BPE Standards

Standard design: Shut Off bodies are available also to 180°, tangential outlet Left or Right

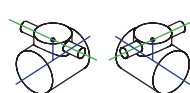
Options: For non-standard CAD Valve body Options, please contact us for further information.

Orders and Information: For additional information or to place a order call your nearest Distributor or visit www.rattiinox.com

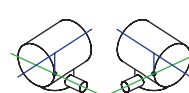
Horizontal Assembly



Vertical Assembly

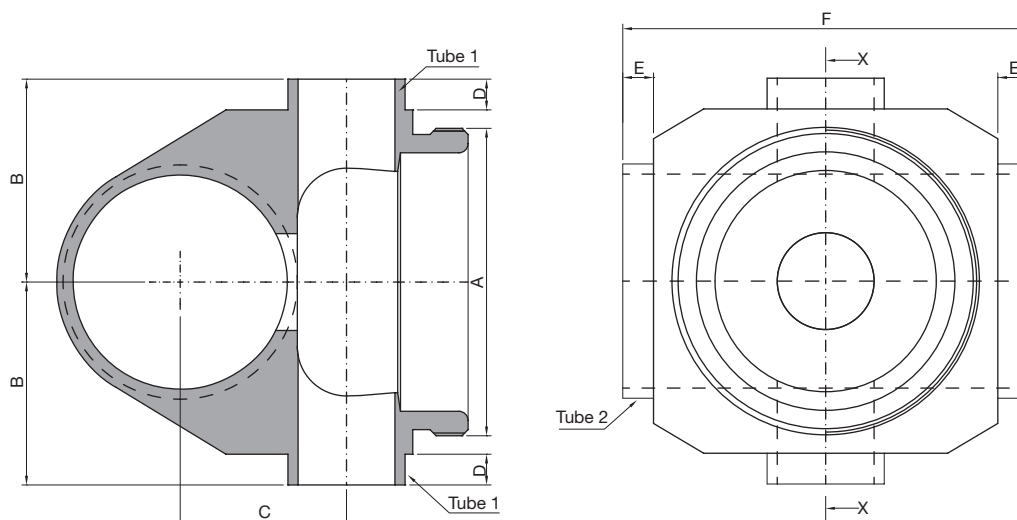


Upside-Down Assembly



TECHNICAL INFORMATION _ CAT. N. YP## FTCI 0000 A5000

COAXIAL FLOW THROUGH 180 VALVE 50 ON PIPE



Clean and Aseptic Valves of CAD Product Line have simple and safe design, with their full drainability, without asymptotic seal and dead leg, are offering fast cleanability and sterilization practices. They are designed to fulfill stringent demands of CIP-SIP and Production Cycles on Aseptic Processing.

YT## - FTCI - Coaxial Flow Through on Pipe Valves for SAFE areas designed to feed or take off fluids or gases from the process piping with Zero dead leg. Body shape with flush flow seal on pipe and their internal design offer a very reliable component for Aseptic Processing Application. Standard version are short butt weld ends but, on demand, may be delivered for orbital welding or with Tri-Clamp connections.

CODE	A	B mm (inch)	C mm (inch)	D mm (inch)	E mm (inch)	F mm (inch)	TUBE 1* mm (inch)	TUBE 2* mm (inch)
YP50-FTCI-0000-A5000	M103x1,5	75,00 (2,95)	49,50 (1,95)	24,00 (0,95)	24,00 (0,95)	150,00 (5,91)	38,10x1,65 (1,50x0,065)	50,80x1,65 (2,00x0,065)
YP63-FTCI-0000-A5000	M103x1,5	75,00 (2,95)	55,50 (2,19)	24,00 (0,95)	24,00 (0,95)	150,00 (5,91)	38,10x1,65 (1,50x0,065)	63,50x1,65 (2,50x0,065)
YP76-FTCI-0000-A5000	M103x1,5	75,00 (2,95)	62,00 (2,44)	24,00 (0,95)	24,00 (0,95)	150,00 (5,91)	38,10x1,65 (1,50x0,065)	76,20x1,65 (3,00x0,065)

(*) US Tube ASTM® A269/270 – ASME BPE

SPECIFICATION:

CAD SIZE	A50						
-----------------	-----	--	--	--	--	--	--

NET VOLUME⁽¹⁾	ml	208,58					
---------------------------------	----	--------	--	--	--	--	--

⁽¹⁾ Internal valve cavity only, with diaphragm on site

MATERIAL	1,4435-BN2 - Low Ferrite - Low Sulphur						
-----------------	--	--	--	--	--	--	--

Design Temperature: -80 to 200 °C (-112 to 392 °F)

Application Areas: SAFE

Design Pressure, Valve Body: -1 to 10 bar (-14.5 to 145 psi)

Note: The applied actuator and diaphragm may have different design temperature and/or pressure limits. The weakest component determines the maximum design temperature and pressure limits, when they are assembled.

Surface Roughness: Internal surface (manually polished) Ra ≤ 0.3µm (16µin)
External surface Ra ≤ 0.5µm (20µin)

Surface Treatment: Available also on EP version - Elettropolishing after manual polished

Labeling: Each valve body is labeled for full LOT traceability

Packaging: Valve body is sealed in plastic bags and packaged in a closed box with Operating and Maintenance bulletin, Certificate of Conformity and Materials Certification 3.1

Quality Control: Quality Assurance System guarantees the control and traceability of the product.

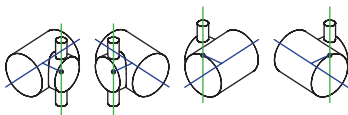
Rules Compliances: CAD valve are on going to be classified for PED Directive 97/23/EC and fulfill ASME BPE Standards

Standard design: Shut Off bodies are available also to 180°, tangential outlet Left or Right

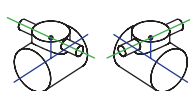
Options: For non-standard CAD Valve body Options, please contact us for further information.

Orders and Information: For additional information or to place a order call your nearest Distributor or visit www.rattiinox.com

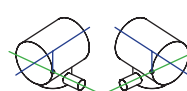
Horizontal Assembly



Vertical Assembly

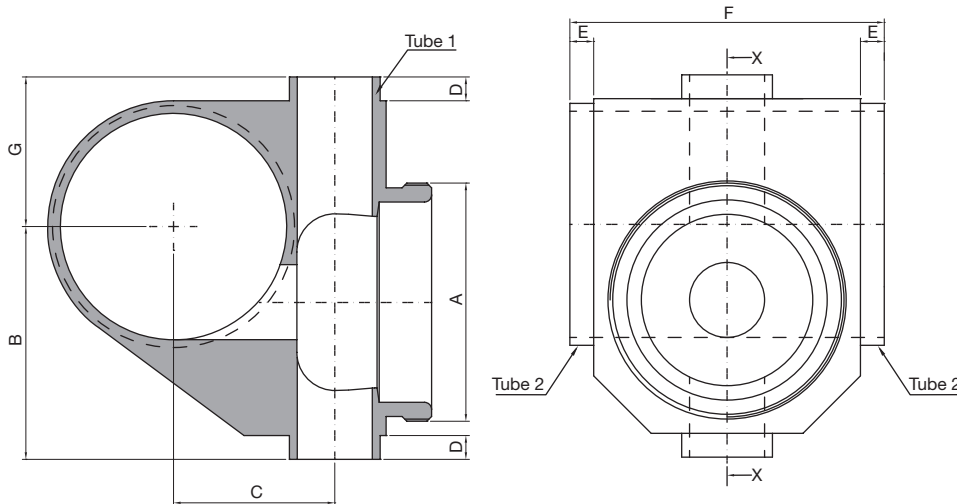


Upside-Down Assembly



TECHNICAL INFORMATION _ CAT. N. YL## FTCI 0000 A1200

FLOW THROUGH 180 VALVE 12 TANG. ON PIPE



Clean and Aseptic Valves of CAD Product Line have simple and safe design, with their full drainability, without asymptotic seal and dead leg, are offering fast cleanability and sterilization practices. They are designed to fulfill stringent demands of CIP-SIP and Production Cycles on Aseptic Processing.

YL## - FTCI - Tangential Flow Through on Pipe Valves for SAFE areas designed to feed or take off fluids or gases from the process piping with Zero dead leg. Valve inlet is tangential on pipe allowing full drainability of the pipeline on the horizontal valve assembly. Body shape and their internal design offer a very reliable component for Aseptic Processing Application. Standard version are short butt weld ends but, on demand, may be delivered for orbital welding or with Tri-Clamp connections.

CODE	A	B mm (inch)	C mm (inch)	D mm (inch)	E mm (inch)	F mm (inch)	G mm (inch)	TUBE 1* mm (inch)	TUBE 2* mm (inch)
YL19-FTCI-0000-A1200	M34x1	29,00 (1,14)	14,50 (0,57)	5,00 (0,20)	8,00 (0,32)	52,00 (2,05)	23,00 (0,91)	12,70x1,65 (0,50x0,065)	19,05x1,65 (0,75x0,065)
YL25-FTCI-0000-A1200	M34x1	32,50 (1,28)	18,00 (0,71)	5,00 (0,20)	8,00 (0,32)	52,00 (2,05)	19,50 (0,77)	12,70x1,65 (0,50x0,065)	25,40x1,65 (1,00x0,065)
YL38-FTCI-0000-A1200	M34x1	38,00 (1,50)	24,00 (0,95)	5,00 (0,20)	8,00 (0,32)	52,00 (2,05)	25,00 (0,98)	12,70x1,65 (0,50x0,065)	38,10x1,65 (1,50x0,065)
YL50-FTCI-0000-A1200	M34x1	45,00 (1,77)	31,00	5,00 (0,20)	8,00 (0,32)	52,00 (2,05)	31,00 (1,22)	12,70x1,65 (0,50x0,065)	50,80x1,65 (2,00x0,065)
YL63-FTCI-0000-A1200	M34x1	51,50 (2,03)	37,50	5,00 (0,20)	8,00 (0,32)	52,00 (2,05)	38,00 (1,50)	12,70x1,65 (0,50x0,065)	63,50x1,65 (2,50x0,065)
YL76-FTCI-0000-A1200	M34x1	58,00 (2,28)	44,00	5,00 (0,20)	8,00 (0,32)	52,00 (2,05)	44,00 (1,73)	12,70x1,65 (0,50x0,065)	76,20x1,65 (3,00x0,065)

(*) US Tube ASTM® A269/270 – ASME BPE

SPECIFICATION:

CAD SIZE	A12						
-----------------	-----	--	--	--	--	--	--

NET VOLUME⁽¹⁾	ml	2,86					
---------------------------------	----	------	--	--	--	--	--

⁽¹⁾ Internal valve cavity only, with diaphragm on site

MATERIAL	1,4435-BN2 - Low Ferrite - Low Sulphur						
-----------------	--	--	--	--	--	--	--

Design Temperature: -80 to 200 °C (-112 to 392 °F)

Application Areas: SAFE

Design Pressure, Valve Body: -1 to 10 bar (-14.5 to 145 psi)

Note: The applied actuator and diaphragm may have different design temperature and/or pressure limits. The weakest component determines the maximum design temperature and pressure limits, when they are assembled.

Surface Roughness: Internal surface (manually polished) Ra ≤ 0.3µm (16µin)
External surface Ra ≤ 0.5µm (20µin)

Surface Treatment: Available also on EP version - Eletropolishing after manual polished

Labeling: Each valve body is labeled for full LOT traceability

Packaging: Valve body is sealed in plastic bags and packaged in a closed box with Operating and Maintenance bulletin, Certificate of Conformity and Materials Certification 3.1

Quality Control: Quality Assurance System guarantees the control and traceability of the product.

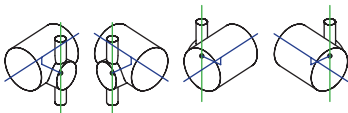
Rules Compliances: CAD valve are on going to be classified for PED Directive 97/23/EC and fulfill ASME BPE Standards

Standard design: Shut Off bodies are available also to 180°, tangential outlet Left or Right

Options: For non-standard CAD Valve body Options, please contact us for further information.

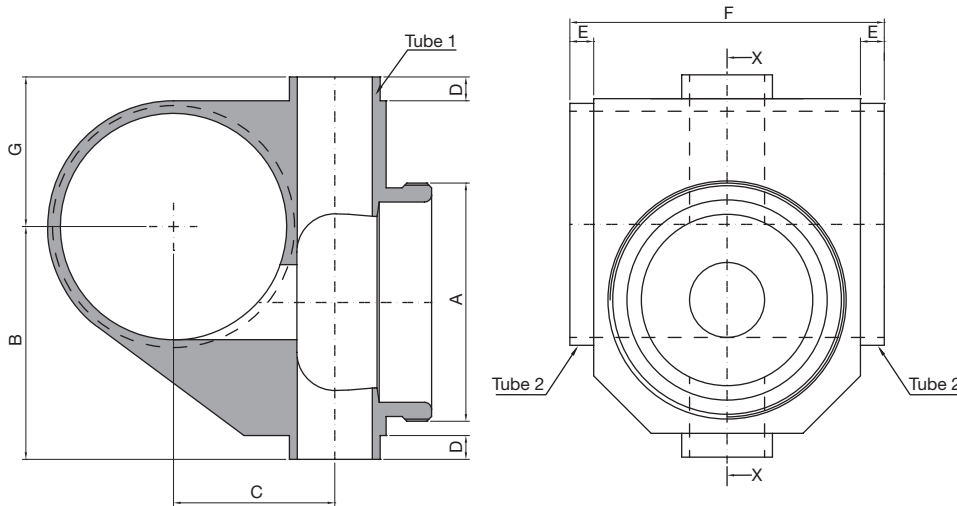
Orders and Information: For additional information or to place a order call your nearest Distributor or visit www.rattiinox.com

Horizontal Assembly



TECHNICAL INFORMATION _ CAT. N. YL## FTCI 0000 A1900

FLOW THROUGH 180 VALVE 19 TANG. ON PIPE



Clean and Aseptic Valves of CAD Product Line have simple and safe design, with their full drainability, without asymptotic seal and dead leg, are offering fast cleanability and sterilization practices. They are designed to fulfill stringent demands of CIP-SIP and Production Cycles on Aseptic Processing.

YL## - FTCI - Tangential Flow Through on Pipe Valves for SAFE areas designed to feed or take off fluids or gases from the process piping with Zero dead leg. Valve inlet is tangential on pipe allowing full drainability of the pipeline on the horizontal valve assembly. Body shape and their internal design offer a very reliable component for Aseptic Processing Application. Standard version are short butt weld ends but, on demand, may be delivered for orbital welding or with Tri-Clamp connections.

CODE	A	B mm (inch)	C mm (inch)	D mm (inch)	E mm (inch)	F mm (inch)	G mm (inch)	TUBE 1* mm (inch)	TUBE 2* mm (inch)
YL25-FTCI-0000-A1900	M50x1	36,00 (1,42)	21,00 (0,83)	5,00 (0,20)	8,00 (0,32)	66,00 (2,60)	30,00 (1,18)	19,05x1,65 (0,75x0,065)	25,40x1,65 (1,00x0,065)
YL38-FTCI-0000-A1900	M50x1	42,50 (1,67)	27,50 (1,09)	5,00 (0,20)	8,00 (0,32)	66,00 (2,60)	25,00 (0,98)	19,05x1,65 (0,75x0,065)	38,10x1,65 (1,50x0,065)
YL50-FTCI-0000-A1900	M50x1	49,00 (1,93)	34,00 (1,34)	5,00 (0,20)	8,00 (0,32)	66,00 (2,60)	31,50 (1,24)	19,05x1,65 (0,75x0,065)	50,80x1,65 (2,00x0,065)
YL63-FTCI-0000-A1900	M50x1	60,00 (2,36)	40,00 (1,58)	5,00 (0,20)	8,00 (0,32)	66,00 (2,60)	38,00 (1,50)	19,05x1,65 (0,75x0,065)	63,50x1,65 (2,50x0,065)
YL76-FTCI-0000-A1900	M50x1	72,50 (2,85)	47,00 (1,85)	5,00 (0,20)	8,00 (0,32)	66,00 (2,60)	44,00 (1,73)	19,05x1,65 (0,75x0,065)	76,20x1,65 (3,00x0,065)

(*) US Tube ASTM® A269/270 – ASME BPE

SPECIFICATION:

CAD SIZE	A19						
-----------------	-----	--	--	--	--	--	--

NET VOLUME⁽¹⁾	ml	10,23					
---------------------------------	----	-------	--	--	--	--	--

⁽¹⁾ Internal valve cavity only, with diaphragm on site

MATERIAL	1,4435-BN2 - Low Ferrite - Low Sulphur						
-----------------	--	--	--	--	--	--	--

Design Temperature: -80 to 200 °C (-112 to 392 °F)

Application Areas: SAFE

Design Pressure, Valve Body: -1 to 10 bar (-14.5 to 145 psi)

Note: The applied actuator and diaphragm may have different design temperature and/or pressure limits. The weakest component determines the maximum design temperature and pressure limits, when they are assembled.

Surface Roughness: Internal surface (manually polished) Ra ≤ 0.3µm (16µin)
External surface Ra ≤ 0.5µm (20µin)

Surface Treatment: Available also on EP version - Elettropolishing after manual polished

Labeling: Each valve body is labeled for full LOT traceability

Packaging: Valve body is sealed in plastic bags and packaged in a closed box with Operating and Maintenance bulletin, Certificate of Conformity and Materials Certification 3.1

Quality Control: Quality Assurance System guarantees the control and traceability of the product.

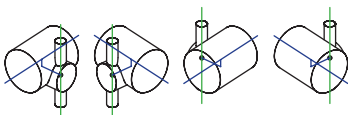
Rules Compliances: CAD valve are on going to be classified for PED Directive 97/23/EC and fulfill ASME BPE Standards

Standard design: Shut Off bodies are available also to 180°, tangential outlet Left or Right

Options: For non-standard CAD Valve body Options, please contact us for further information.

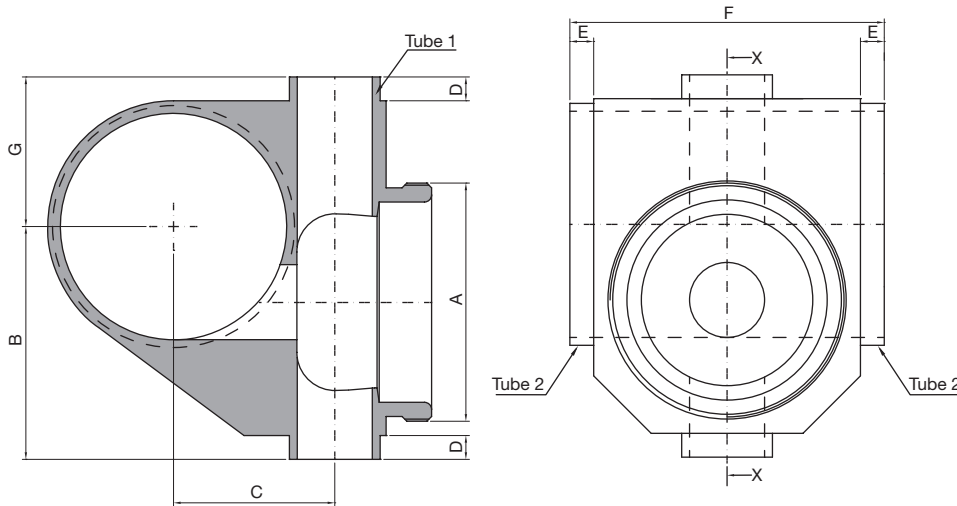
Orders and Information: For additional information or to place a order call your nearest Distributor or visit www.rattiinox.com

Horizontal Assembly



TECHNICAL INFORMATION _ CAT. N. YL## FTCI 0000 A2500

FLOW THROUGH 180 VALVE 25 TANG. ON PIPE



Clean and Aseptic Valves of CAD Product Line have simple and safe design, with their full drainability, without asymptotic seal and dead leg, are offering fast cleanability and sterilization practices. They are designed to fulfill stringent demands of CIP-SIP and Production Cycles on Aseptic Processing.

YL## - FTCI - Tangential Flow Through on Pipe Valves for SAFE areas designed to feed or take off fluids or gases from the process piping with Zero dead leg. Valve inlet is tangential on pipe allowing full drainability of the pipeline on the horizontal valve assembly. Body shape and their internal design offer a very reliable component for Aseptic Processing Application. Standard version are short butt weld ends but, on demand, may be delivered for orbital welding or with Tri-Clamp connections.

CODE	A	B mm (inch)	C mm (inch)	D mm (inch)	E mm (inch)	F mm (inch)	G mm (inch)	TUBE 1* mm (inch)	TUBE 2* mm (inch)
YL38-FTCI-0000-A2500	M70x1	53,50 (2,11)	30,50 (1,20)	5,00 (0,20)	8,00 (0,32)	94,00 (3,70)	40,50 (1,60)	25,40x1,65 (1,00x0,065)	38,10x1,65 (1,50x0,065)
YL50-FTCI-0000-A2500	M70x1	59,50 (2,34)	37,00 (1,46)	5,00 (0,20)	8,00 (0,32)	94,00 (3,70)	31,50 (1,24)	25,40x1,65 (1,00x0,065)	50,80x1,65 (2,00x0,065)
YL63-FTCI-0000-A2500	M70x1	66,00 (2,60)	43,50 (1,71)	5,00 (0,20)	8,00 (0,32)	94,00 (3,70)	37,50 (1,48)	25,40x1,65 (1,00x0,065)	63,50x1,65 (2,50x0,065)
YL76-FTCI-0000-A2500	M70x1	72,50 (2,85)	50,00	5,00 (0,20)	8,00 (0,32)	94,00 (3,70)	44,00 (1,73)	25,40x1,65 (1,00x0,065)	76,20x1,65 (3,00x0,065)
YL00-FTCI-0000-A2500	M70x1	94,50 (3,72)	62,50	5,00 (0,20)	8,00 (0,32)	94,00 (3,70)	57,00 (2,24)	25,40x1,65 (1,00x0,065)	101,60x2,11 (4,00x0,083)

(*) US Tube ASTM® A269/270 – ASME BPE

SPECIFICATION:

CAD SIZE	A25						
-----------------	-----	--	--	--	--	--	--

NET VOLUME⁽¹⁾	ml	32,14					
---------------------------------	----	-------	--	--	--	--	--

⁽¹⁾ Internal valve cavity only, with diaphragm on site

MATERIAL	1,4435-BN2 - Low Ferrite - Low Sulphur
-----------------	--

Design Temperature: -80 to 200 °C (-112 to 392 °F)

Application Areas: SAFE

Design Pressure, Valve Body: -1 to 10 bar (-14.5 to 145 psi)

Note: The applied actuator and diaphragm may have different design temperature and/or pressure limits. The weakest component determines the maximum design temperature and pressure limits, when they are assembled.

Surface Roughness: Internal surface (manually polished) $Ra \leq 0.3\mu m$ (16 μin)
External surface $Ra \leq 0.5\mu m$ (20 μin)

Surface Treatment: Available also on EP version - Elettropolishing after manual polished

Labeling: Each valve body is labeled for full LOT traceability

Packaging: Valve body is sealed in plastic bags and packaged in a closed box with Operating and Maintenance bulletin, Certificate of Conformity and Materials Certification 3.1

Quality Control: Quality Assurance System guarantees the control and traceability of the product.

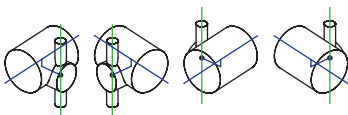
Rules Compliances: CAD valve are on going to be classified for PED Directive 97/23/EC and fulfill ASME BPE Standards

Standard design: Shut Off bodies are available also to 180°, tangential outlet Left or Right

Options: For non-standard CAD Valve body Options, please contact us for further information.

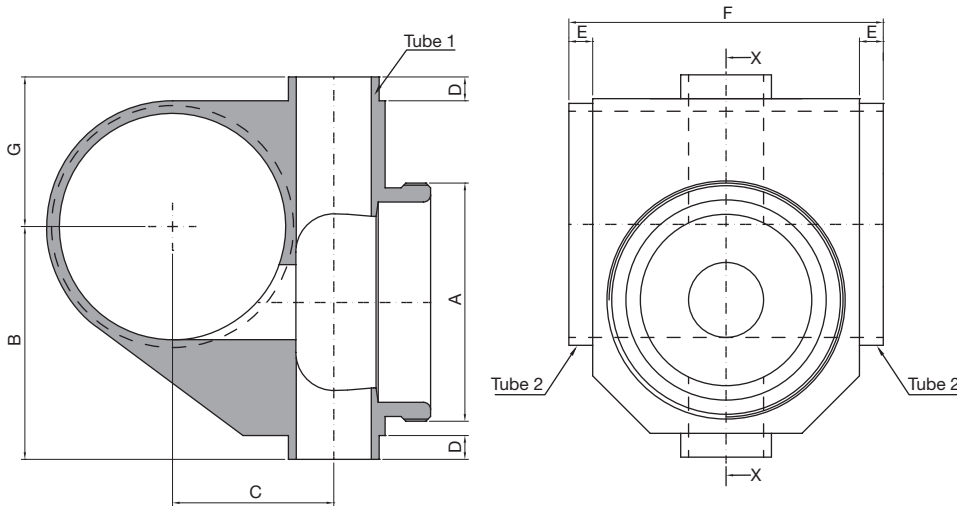
Orders and Information: For additional information or to place a order call your nearest Distributor or visit www.rattiinox.com

Horizontal Assembly



TECHNICAL INFORMATION _ CAT. N. YL## FTCI 0000 A3800

FLOW THROUGH 180 VALVE 38 TANG. ON PIPE



Clean and Aseptic Valves of CAD Product Line have simple and safe design, with their full drainability, without asymptotic seal and dead leg, are offering fast cleanability and sterilization practices. They are designed to fulfill stringent demands of CIP-SIP and Production Cycles on Aseptic Processing.

YL## - FTCI - Tangential Flow Through on Pipe Valves for SAFE areas designed to feed or take off fluids or gases from the process piping with Zero dead leg. Valve inlet is tangential on pipe allowing full drainability of the pipeline on the horizontal valve assembly. Body shape and their internal design offer a very reliable component for Aseptic Processing Application. Standard version are short butt weld ends but, on demand, may be delivered for orbital welding or with Tri-Clamp connections.

CODE	A	B mm (inch)	C mm (inch)	D mm (inch)	E mm (inch)	F mm (inch)	G mm (inch)	TUBE 1* mm (inch)	TUBE 2* mm (inch)
YL50-FTCI-0000-A3800	M80x1,5	66,50 (2,62)	43,50 (1,71)	21,00 (0,83)	21,00 (0,83)	120,00 (4,72)	53,50 (2,11)	38,10x1,65 (1,50x0,065)	50,80x1,65 (2,00x0,065)
YL63-FTCI-0000-A3800	M80x1,5	72,50 (2,85)	50,00 (1,97)	21,00 (0,83)	21,00 (0,83)	120,00 (4,72)	54,00 (2,13)	38,10x1,65 (1,50x0,065)	63,50x1,65 (2,50x0,065)
YL76-FTCI-0000-A3800	M80x1,5	79,00 (3,11)	56,00 (2,21)	21,00 (0,83)	21,00 (0,83)	120,00 (4,72)	60,00 (2,36)	38,10x1,65 (1,50x0,065)	76,20x1,65 (3,00x0,065)
YL00-FTCI-0000-A3800	M80x1,5	91,50 (3,60)	69,00 (2,72)	21,00 (0,83)	21,00 (0,83)	120,00 (4,72)	73,00 (2,87)	38,10x1,65 (1,50x0,065)	101,60x2,11 (4,00x0,083)

(*) US Tube ASTM® A269/270 – ASME BPE

SPECIFICATION:

CAD SIZE	A38						
-----------------	-----	--	--	--	--	--	--

NET VOLUME⁽¹⁾	ml	86,89					
---------------------------------	----	-------	--	--	--	--	--

⁽¹⁾ Internal valve cavity only, with diaphragm on site

MATERIAL	1,4435-BN2 - Low Ferrite - Low Sulphur						
-----------------	--	--	--	--	--	--	--

Design Temperature: -80 to 200 °C (-112 to 392 °F)

Application Areas: SAFE

Design Pressure, Valve Body: -1 to 10 bar (-14.5 to 145 psi)

Note: The applied actuator and diaphragm may have different design temperature and/or pressure limits. The weakest component determines the maximum design temperature and pressure limits, when they are assembled.

Surface Roughness: Internal surface (manually polished) $Ra \leq 0.3\mu m$ (16 μin)
 External surface $Ra \leq 0.5\mu m$ (20 μin)

Surface Treatment: Available also on EP version - Elettropolishing after manual polished

Labeling: Each valve body is labeled for full LOT traceability

Packaging: Valve body is sealed in plastic bags and packaged in a closed box with Operating and Maintenance bulletin, Certificate of Conformity and Materials Certification 3.1

Quality Control: Quality Assurance System guarantees the control and traceability of the product.

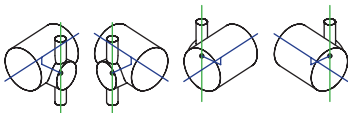
Rules Compliances: CAD valve are on going to be classified for PED Directive 97/23/EC and fulfill ASME BPE Standards

Standard design: Shut Off bodies are available also to 180°, tangential outlet Left or Right

Options: For non-standard CAD Valve body Options, please contact us for further information.

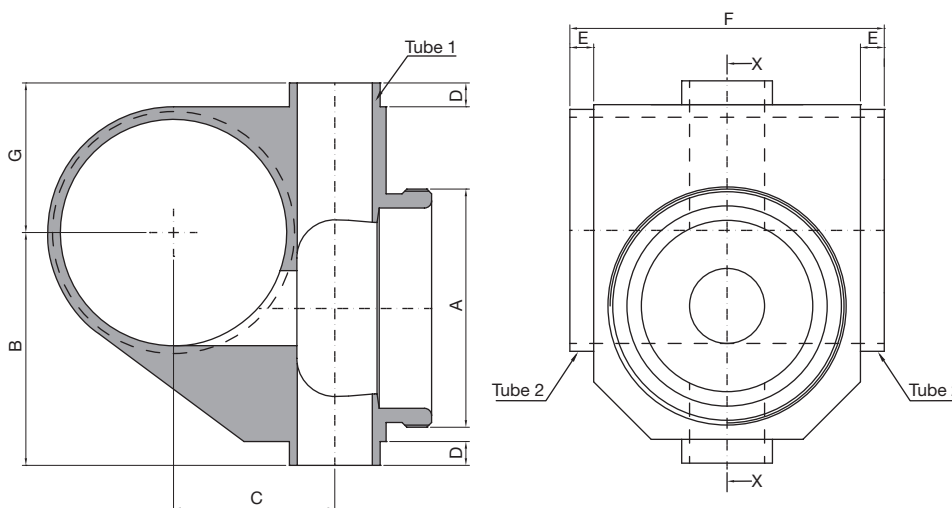
Orders and Information: For additional information or to place a order call your nearest Distributor or visit www.rattiinox.com

Horizontal Assembly



TECHNICAL INFORMATION _ CAT. N. YL## FTCI 0000 A5000

FLOW THROUGH 180 VALVE 50 TANG. ON PIPE



Clean and Aseptic Valves of CAD Product Line have simple and safe design, with their full drainability, without asymptotic seal and dead leg, are offering fast cleanability and sterilization practices. They are designed to fulfill stringent demands of CIP-SIP and Production Cycles on Aseptic Processing.

YL## - FTCI - Tangential Flow Through on Pipe Valves for SAFE areas designed to feed or take off fluids or gases from the process piping with Zero dead leg. Valve inlet is tangential on pipe allowing full drainability of the pipeline on the horizontal valve assembly. Body shape and their internal design offer a very reliable component for Aseptic Processing Application. Standard version are short butt weld ends but, on demand, may be delivered for orbital welding or with Tri-Clamp connections.

CODE	A	B mm (inch)	C mm (inch)	D mm (inch)	E mm (inch)	F mm (inch)	G mm (inch)	TUBE 1* mm (inch)	TUBE 2* mm (inch)
YL63-FTCI-0000-A5000	M103x1,5	81,50 (3,21)	56,00 (2,20)	24,00 (0,95)	24,00 (0,95)	150,00 (5,91)	68,50 (2,70)	50,80x1,65 (2,00x0,065)	63,50x1,65 (2,50x0,065)
YL76-FTCI-0000-A5000	M103x1,5	87,50 (3,45)	62,50 (2,46)	24,00 (0,95)	24,00 (0,95)	150,00 (5,91)	63,00 (2,48)	50,80x1,65 (2,00x0,065)	76,20x1,65 (3,00x0,065)
YL00-FTCI-0000-A5000	M103x1,5	100,00 (3,94)	75,00 (2,95)	24,00 (0,95)	24,00 (0,95)	150,00 (5,91)	76,00 (2,99)	50,80x1,65 (2,00x0,065)	101,60x2,11 (4,00x0,083)

(*) US Tube ASTM® A269/270 – ASME BPE

SPECIFICATION:

CAD SIZE	A50						
-----------------	-----	--	--	--	--	--	--

NET VOLUME⁽¹⁾	ml	208,58					
---------------------------------	----	--------	--	--	--	--	--

⁽¹⁾ Internal valve cavity only, with diaphragm on site

MATERIAL	1,4435-BN2 - Low Ferrite - Low Sulphur
-----------------	--

Design Temperature: -80 to 200 °C (-112 to 392 °F)

Application Areas: SAFE

Design Pressure, Valve Body: -1 to 10 bar (-14.5 to 145 psi)

Note: The applied actuator and diaphragm may have different design temperature and/or pressure limits. The weakest component determines the maximum design temperature and pressure limits, when they are assembled.

Surface Roughness: Internal surface (manually polished) $Ra \leq 0.3\mu m$ (16 μin)
External surface $Ra \leq 0.5\mu m$ (20 μin)

Surface Treatment: Available also on EP version - Elettropolishing after manual polished

Labeling: Each valve body is labeled for full LOT traceability

Packaging: Valve body is sealed in plastic bags and packaged in a closed box with Operating and Maintenance bulletin, Certificate of Conformity and Materials Certification 3.1

Quality Control: Quality Assurance System guarantees the control and traceability of the product.

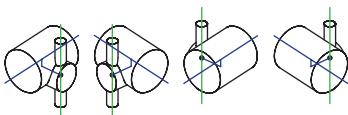
Rules Compliances: CAD valve are on going to be classified for PED Directive 97/23/EC and fulfill ASME BPE Standards

Standard design: Shut Off bodies are available also to 180°, tangential outlet Left or Right

Options: For non-standard CAD Valve body Options, please contact us for further information.

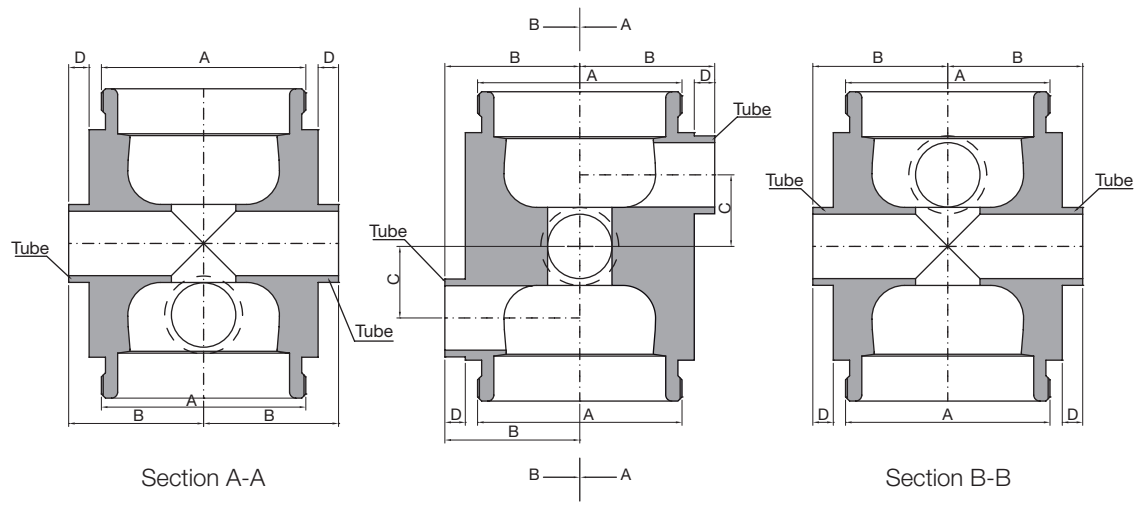
Orders and Information: For additional information or to place a order call your nearest Distributor or visit www.rattiinox.com

Horizontal Assembly



TECHNICAL INFORMATION _ CAT. N. YPVO SOCL SOCL A####

DOUBLE SHUT OFF VALVE ON LINE OPPOSITE OUTLET



.....

Clean and Aseptic Valves of CAD Product Line have simple and safe design, with their full drainability, without asymptotic seal and dead leg, are offering fast cleanability and sterilization practices. They are designed to fulfill stringent demands of CIP-SIP and Production Cycles on Aseptic Processing.

Double Shut Off Online Valves for SAFE areas designed to feed and take off fluids or gases from the process piping with Zero dead leg. Body shape with flush flow seal and their internal design offer a very reliable component for Aseptic Processing Application. Standard version are short butt weld ends but, on demand, may be delivered for orbital welding or with Tri-Clamp connections.

.....

CODE	A	B mm (inch)	C mm (inch)	D mm (inch)	TUBE* mm (inch)
YPVO-SOCL-SOCL-A1212	M34x1	26,00 (1,02)	12,50 (0,49)	5,00 (0,20)	12,70x1,65 (0,50x0,065)
YPVO-SOCL-SOCL-A1919	M50x1	33,00 (1,30)	17,50 (0,69)	5,00 (0,20)	19,05x1,65 (0,75x0,065)
YPVO-SOCL-SOCL-A2525	M70x1	47,00 (1,85)	24,50 (0,97)	5,00 (0,20)	25,40x1,65 (1,00x0,065)
YPVO-SOCL-SOCL-A3838	M80x1,5	60,00 (2,36)	39,00 (1,54)	21,00 (0,83)	38,10x1,65 (1,50x0,065)
YPVO-SOCL-SOCL-A5050	M103x1,5	75,00 (2,95)	51,00 (2,01)	24,00 (0,95)	50,80x1,65 (2,00x0,065)

(*) US Tube ASTM® A269/270 – ASME BPE

SPECIFICATION:

CAD SIZE	A12	A19	A25	A38	A50		
----------	-----	-----	-----	-----	-----	--	--

NET VOLUME ⁽¹⁾	ml	2,86	10,23	34,14	86,89	208,58	
---------------------------	----	------	-------	-------	-------	--------	--

⁽¹⁾ Internal valve cavity only, for each cavity, with diaphragm on site

MATERIAL	1,4435-BN2 - Low Ferrite - Low Sulphur
----------	--

Design Temperature: -80 to 200 °C (-112 to 392 °F)

Application Areas: SAFE

Design Pressure, Valve Body: -1 to 10 bar (-14.5 to 145 psi)

Note: The applied actuator and diaphragm may have different design temperature and/or pressure limits. The weakest component determines the maximum design temperature and pressure limits, when they are assembled.

Surface Roughness: Internal surface (manually polished) Ra ≤ 0.3µm (16µin)
External surface Ra ≤ 0.5µm (20µin)

Surface Treatment: Available also on EP version - Elettropolishing after manual polished

Labeling: Each valve body is labeled for full LOT traceability

Packaging: Valve body is sealed in plastic bags and packaged in a closed box with Operating and Maintenance bulletin, Certificate of Conformity and Materials Certification 3.1

Quality Control: Quality Assurance System guarantees the control and traceability of the product.

Rules Compliances: CAD valve are on going to be classified for PED Directive 97/23/EC and fulfill ASME BPE Standards

Standard design: Shut Off bodies are available also to 180°, tangential outlet Left or Right

Options: For non-standard CAD Valve body Options, please contact us for further information.

Orders and Information: For additional information or to place a order call your nearest Distributor or visit www.rattiinox.com

Vertical Assembly

