

ASTM A270 Tri-Clamp

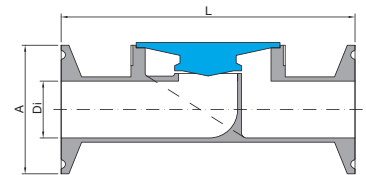
Size	Ø A	Ø Di	L	Valve Material	Diaphragm Material	Code
1/2"	25,00	9,40	88,90	1.4404	PTFE - FDA	061A60050PT70
					PTFE - USP 121	061A60050PT121
					GUAFLON	061A60050GU
3/4"	25,00	15,75	101,60	1.4404	PTFE - FDA	061A60075PT70
					PTFE - USP 121	061A60075PT121
					GUAFLON	061A60075GU
1"	50,50	22,10	114,30	1.4404	PTFE - FDA	061A60100PT70
					PTFE - USP 121	061A60100PT121
					GUAFLON	061A60100GU
1.1/2"	50,50	34,80	139,70	1.4404	PTFE - FDA	061A60150PT70
					PTFE - USP 121	061A60150PT121
					GUAFLON	061A60150GU
2"	64,00	47,50	171,00	1.4404	PTFE - FDA	061A60200PT70
					PTFE - USP 121	061A60200PT121
					GUAFLON	061A60200GU
2.1/2"	77,40	60,20	222,00	1.4404	PTFE - FDA	061A60250PT70
					PTFE - USP 121	061A60250PT121
					GUAFLON	061A60250GU

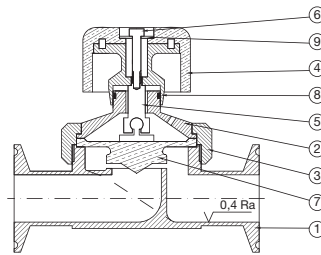
Int. finishing: $Ra \leq 0,4 \mu m$
 Ext. finishing: $Ra \leq 0,8 \mu m$ Mirror Polished

Max Working Conditions:
10 bar (150 psi) and 150°C (300°F)

Gaskets:
USP CLASS VI - 70° PTFE
or USP CLASS VI - 121° PTFE
or GUAFLON

Installation:
Horizontal installation recommended

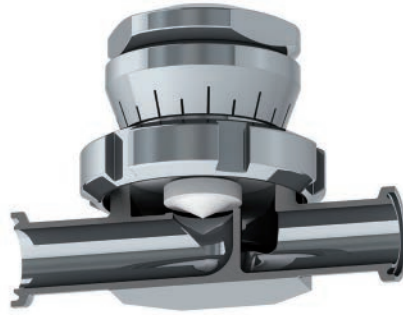




N°	Name	Material
1	Body	AISI 316L
2	Cover	AISI 316L
3	Ring	AISI 316L
4	Handle	PTFE + AISI 316L
5	Connecting Rod	OT58
6	Special Screw	AISI 304
7	Diaphragm	PTFE + AISI 316L or GUAFLON + AISI 316L
8	O-Ring	FPM/FKM
9	Special Washer	AISI 304

N°	Description	Valve size	Code
2	Cover n° 1 pcs	1/2"	AAAA0345
		3/4"	AAAA0345
		1"	AAAA0333
		1.1/2"	AAAA0328
		2"	AAAA0303
		2.1/2"	AAAA0317
3	Ring n° 1 pcs	1/2"	AAAA0344
		3/4"	AAAA0344
		1"	AAAA0344
		1.1/2"	AAAA0322
		2"	AAAA0302
		2.1/2"	AAAA0318
4	Handle n° 1 pcs	1/2"	0616005004PT70
		3/4"	0616005004PT70
		1"	0616005004PT70
		1.1/2"	0616015004PT70
		2"	0616015004PT70
		2.1/2"	0616025004PT70
5	Connecting Rod n° 1 pcs	1/2"	AAAA0337
		3/4"	AAAA0337
		1"	AAAA0337
		1.1/2"	AAAA0307
		2"	AAAA0307
		2.1/2"	AAAA0307
6	Special Screw n° 2 pcs	1/2"	061VITEM4X25
		3/4"	061VITEM4X25
		1"	061VITEM4X25
		1.1/2"	061VITEM6X30
		2"	061VITEM6X30
		2.1/2"	061VITEM6X30
7	PTFE - USP 70° Diaphragm n° 1 pcs	1/2"	0616005007PT70
		3/4"	0616005007PT70
		1"	0616010007PT70
		1.1/2"	0616015007PT70
		2"	0616020007PT70
		2.1/2"	0616025007PT70

N°	Description	Valve size	Code
7	PTFE - USP 121° Diaphragm n° 1 pcs	1/2"	0616005007PT121
		3/4"	0616005007PT121
		1"	0616010007PT121
		1.1/2"	0616015007PT121
		2"	0616020007PT121
		2.1/2"	0616025007PT121
7	GUAFLON Diaphragm n° 1 pcs	1/2"	0616005007GU
		3/4"	0616005007GU
		1"	0616010007GU
		1.1/2"	0616015007GU
		2"	0616020007GU
		2.1/2"	0616025007GU
8	O-Ring n° 5 pcs	1/2"	061X005008V
		3/4"	061X005008V
		1"	061X005008V
		1.1/2"	061X015008V
		2"	061X015008V
		2.1/2"	061X015008V
9	Special Washer n° 2 pcs	1/2"	061ROND15.7X4.4
		3/4"	061ROND15.7X4.4
		1"	061ROND15.7X4.4
		1.1/2"	061ROND24.0X6.5
		2"	061ROND24.0X6.5
		2.1/2"	061ROND24.0X6.5
2+ 3+ 5+ 6+ 8+ 9	Complete Handle n° 1 pcs	1/2"	061A6005002
3/4"		061A6005002	
1"		061A6010002	
1.1/2"		061A6015002	
2"		061A6020002	
2.1/2"		061A6025002	



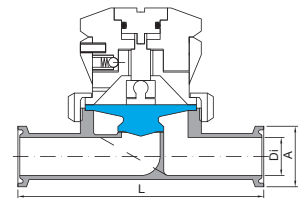
ASTM A270 Tri-Clamp

Size	Ø A	Ø Di	L	Valve Material	Diaphragm Material	Code
1/2"	25,00	9,40	88,90	1.4404	PTFE - FDA	061H60050PT70
					PTFE - USP 121	061H60050PT121
3/4"	25,00	15,75	101,60	1.4404	PTFE - FDA	061H60075PT70
					PTFE - USP 121	061H60075PT121

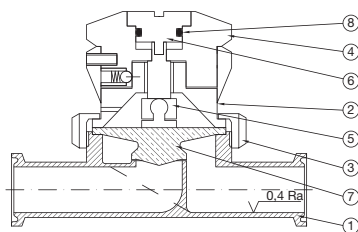
Int. finishing: **Ra ≤ 0,4 µm**
Ext. finishing: **Ra ≤ 0,8 µm Mirror Polished**

Max Working Conditions:
10 bar (150 psi) and 150°C (300°F)

Installation:
Vertical installation recommended

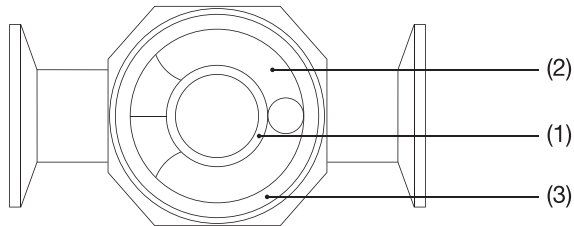
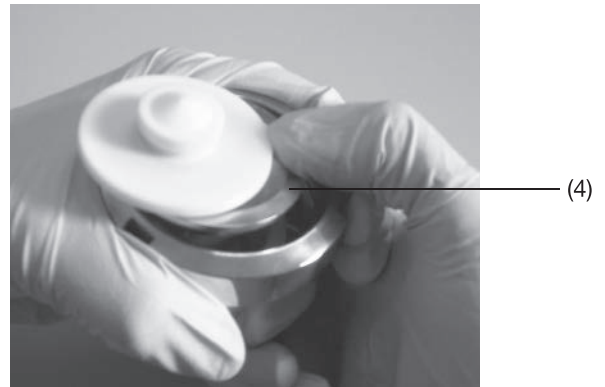
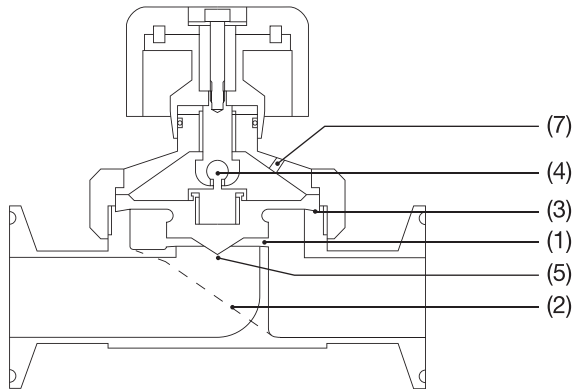


Spare parts



N°	Name	Material
1	Way Body	AISI 316L
2	Cover with adjustable regulator	AISI 316L
3	Ring	AISI 316L
4	Handle	AISI 316L
5	Connecting Rod	OT-58
6	Special Screw	AISI 304
7	Diaphragm	PTFE + AISI 316L
8	O-Ring	FPM/FKM

N°	Description	Valve size	Code
3	Ring n° 1 pcs	1/2"	AAAA0344
		3/4"	AAAA0344
5	Connecting Rod n° 1 pcs	1/2"	AAAA0337
		3/4"	AAAA0337
7	PTFE - USP 70° Diaphragm n° 1 pcs	1/2"	0616005007PT70
		3/4"	0616005007PT70
7	PTFE - USP 121° Diaphragm n° 1 pcs	1/2"	0616005007PT121
		3/4"	0616005007PT121
8	O-Ring n° 5 pcs	1/2"	061X005008V
		3/4"	061X005008V
2+3+4+5+6+8	Complete Handle n° 1 pcs	1/2"	061H6005002
		3/4"	061H6005002



The opening and closing movements do not detect the areas which are away from the shutter's contact surface, which however, is inclined and it allows the draining of the fluid outwards during the support movement and the tightness of the diaphragm on the work table shutting surface (1).

The internal chute allows the valve's chamber to easily empty itself even during horizontal use (2).

The inverse taper of the tightness surface in correlation with the diaphragm's surface sustain allows for concentrated tightness on the internal edge, which is in contact with the product, it is secured by a strong and optimal compression, and it is performed by the external roller (3).

In order to guarantee the maximum quality, the central body is totally machine-manufactured, using welded Tri-Clamp connections, available with internal finishing under 0.4 Ra. The diaphragm is manufactured in PTFE, which is appropriately connected to the AISI316L traction-compression systems, therefore there is no possibility of by-passing, and it has a spherical conformation which makes the replacing maneuver easy (4).

The runner in the shutter makes any eventual needs to regulate the fluid more precise (5).

The manual control of the valve is carried out through a PTFE handle. For precision regulation purposes, a manual, self-locking actuator is available (Type H); it includes 80 different positions, as well as a position indicator, which is available only for 1/2" and 3/4" (6).

The hole on the head-frame valve allows the external display of any possible cracks on the diaphragm (7).

The valve is able to work in both directions, it is available in 4 different features, and it also provides more additional variants based on the necessity of use: 1/2" to 2.1/2" for types A, B, D and G, in accordance with the ASTM A270 codes. Recommended maximum working pressure: 150 PSI.



ASTM A270 Tri-Clamp - Flange design according to ASME-BPE

Size	Ø A	Ø C	Valve Material	Diaphragm Material	Code
1/2" - 3/4" *	25,00		1.4404	SILICONE FDA	046A60050SIF
				PTFE - USP 121	046A60050PT121
1"		50,50	1.4404	SILICONE FDA	046A60100SIF
				PTFE - USP 121	046A60100PT121
1.1/2"		50,50	1.4404	SILICONE FDA	046A60150SIF
				PTFE - USP 121	046A60150PT121

* Special clamp included

Int. finishing: **Ra ≤ 0,4 µm**
Ext. finishing: **Ra ≤ 0,8 µm Mirror Polished**

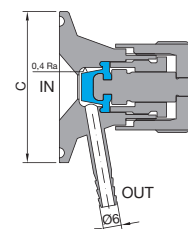
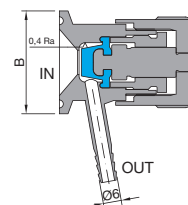
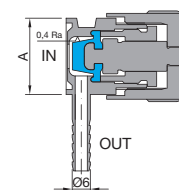
Max Working Conditions:
8 bar (120 psi) and 150°C (300°F)

Gaskets:
FDA approved SILICONE
or **USP CLASS VI - 121° PTFE**

Installation:
Horizontal installation recommended

DIN 32676 Tri-Clamp

Size	Ø B	Ø C	Valve Material	Diaphragm Material	Code
DN 10	34,00		1.4404	SILICONE FDA	046A6D010SIF
				PTFE - USP 121	046A6D010PT121
DN 15	34,00		1.4404	SILICONE FDA	046A6D015SIF
				PTFE - USP 121	046A6D015PT121
DN 20	34,00		1.4404	SILICONE FDA	046A6D020SIF
				PTFE - USP 121	046A6D020PT121
DN 25		50,50	1.4404	SILICONE FDA	046A6D025SIF
				PTFE - USP 121	046A6D025PT121
DN 32		50,50	1.4404	SILICONE FDA	046A6D032SIF
				PTFE - USP 121	046A6D032PT121
DN 40		50,50	1.4404	SILICONE FDA	046A6D040SIF
				PTFE - USP 121	046A6D040PT121



ISO 1127 Tri-Clamp

Size	Ø B	Ø C	Valve Material	Diaphragm Material	Code
DN 8	34,00		1.4404	SILICONE FDA	046A6I008SIF
				PTFE - USP 121	046A6I008PT121
DN 10	34,00		1.4404	SILICONE FDA	046A6I010SIF
				PTFE - USP 121	046A6I010PT121
DN 15	34,00		1.4404	SILICONE FDA	046A6I015SIF
				PTFE - USP 121	046A6I015PT121
DN 20		50,50	1.4404	SILICONE FDA	046A6I020SIF
				PTFE - USP 121	046A6I020PT121
DN 25		50,50	1.4404	SILICONE FDA	046A6I025SIF
				PTFE - USP 121	046A6I025PT121
DN 32		50,50	1.4404	SILICONE FDA	046A6I032SIF
				PTFE - USP 121	046A6I032PT121

1 TRI-CLAMP OUTLET



ASTM A270 Tri-Clamp - Flange design according to ASME-BPE

Size	Ø A	Ø C	Valve Material	Diaphragm Material	Code
1/2" - 3/4" *	25,00		1.4404	SILICONE FDA	046B60050SIF
				PTFE - USP 121	046B60050PT121
1"		50,50	1.4404	SILICONE FDA	046B60100SIF
				PTFE - USP 121	046B60100PT121
1.1/2"		50,50	1.4404	SILICONE FDA	046B60150SIF
				PTFE - USP 121	046B60150PT121

* Special clamp included

Int. finishing: $Ra \leq 0,4 \mu m$
 Ext. finishing: $Ra \leq 0,8 \mu m$ Mirror Polished

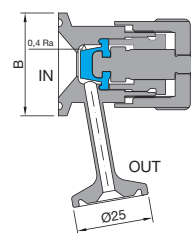
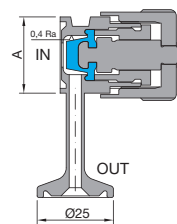
Max Working Conditions:
8 bar (120 psi) and 150°C (300°F)

Gaskets:
FDA approved SILICONE
or USP CLASS VI - 121° PTFE

Installation:
Horizontal installation recommended

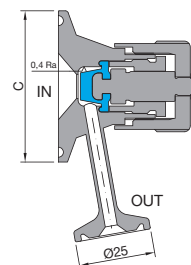
DIN 32676 Tri-Clamp

Size	Ø B	Ø C	Valve Material	Diaphragm Material	Code
DN 10	34,00		1.4404	SILICONE FDA	046B6D010SIF
				PTFE - USP 121	046B6D010PT121
DN 15	34,00		1.4404	SILICONE FDA	046B6D015SIF
				PTFE - USP 121	046B6D015PT121
DN 20	34,00		1.4404	SILICONE FDA	046B6D020SIF
				PTFE - USP 121	046B6D020PT121
DN 25		50,50	1.4404	SILICONE FDA	046B6D025SIF
				PTFE - USP 121	046B6D025PT121
DN 32		50,50	1.4404	SILICONE FDA	046B6D032SIF
				PTFE - USP 121	046B6D032PT121
DN 40		50,50	1.4404	SILICONE FDA	046B6D040SIF
				PTFE - USP 121	046B6D040PT121



ISO 1127 Tri-Clamp

Size	Ø B	Ø C	Valve Material	Diaphragm Material	Code
DN 8	34,00		1.4404	SILICONE FDA	046B6I008SIF
				PTFE - USP 121	046B6I008PT121
DN 10	34,00		1.4404	SILICONE FDA	046B6I010SIF
				PTFE - USP 121	046B6I010PT121
DN 15	34,00		1.4404	SILICONE FDA	046B6I015SIF
				PTFE - USP 121	046B6I015PT121
DN 20		50,50	1.4404	SILICONE FDA	046B6I020SIF
				PTFE - USP 121	046B6I020PT121
DN 25		50,50	1.4404	SILICONE FDA	046B6I025SIF
				PTFE - USP 121	046B6I025PT121
DN 32		50,50	1.4404	SILICONE FDA	046B6I032SIF
				PTFE - USP 121	046B6I032PT121





ASTM A270 Tri-Clamp - Flange design according to ASME-BPE

Size	Ø A	Ø C	Valve Material	Diaphragm Material	Code
1/2" - 3/4" *	25,00		1.4404	SILICONE FDA	046C60050SIF
				PTFE - USP 121	046C60050PT121
1"		50,50	1.4404	SILICONE FDA	046C60100SIF
				PTFE - USP 121	046C60100PT121
1.1/2"		50,50	1.4404	SILICONE FDA	046C60150SIF
				PTFE - USP 121	046C60150PT121

* Special clamp included

Int. finishing: **Ra ≤ 0,4 µm**
Ext. finishing: **Ra ≤ 0,8 µm Mirror Polished**

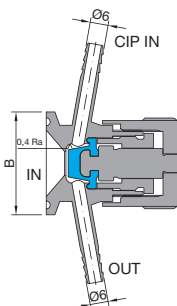
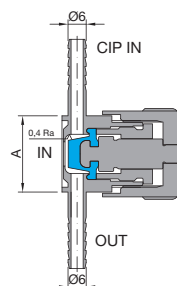
Max Working Conditions:
8 bar (120 psi) and 150°C (300°F)

Gaskets:
FDA approved SILICONE
or **USP CLASS VI - 121° PTFE**

Installation:
Horizontal installation recommended

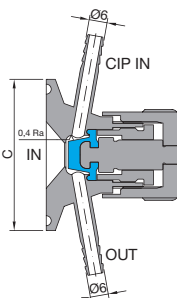
DIN 32676 Tri-Clamp

Size	Ø B	Ø C	Valve Material	Diaphragm Material	Code
DN 10	34,00		1.4404	SILICONE FDA	046C6D010SIF
				PTFE - USP 121	046C6D010PT121
DN 15	34,00		1.4404	SILICONE FDA	046C6D015SIF
				PTFE - USP 121	046C6D015PT121
DN 20	34,00		1.4404	SILICONE FDA	046C6D020SIF
				PTFE - USP 121	046C6D020PT121
DN 25		50,50	1.4404	SILICONE FDA	046C6D025SIF
				PTFE - USP 121	046C6D025PT121
DN 32		50,50	1.4404	SILICONE FDA	046C6D032SIF
				PTFE - USP 121	046C6D032PT121
DN 40		50,50	1.4404	SILICONE FDA	046C6D040SIF
				PTFE - USP 121	046C6D040PT121



ISO 1127 Tri-Clamp

Size	Ø B	Ø C	Valve Material	Diaphragm Material	Code
DN 8	34,00		1.4404	SILICONE FDA	046C6I008SIF
				PTFE - USP 121	046C6I008PT121
DN 10	34,00		1.4404	SILICONE FDA	046C6I010SIF
				PTFE - USP 121	046C6I010PT121
DN 15	34,00		1.4404	SILICONE FDA	046C6I015SIF
				PTFE - USP 121	046C6I015PT121
DN 20		50,50	1.4404	SILICONE FDA	046C6I020SIF
				PTFE - USP 121	046C6I020PT121
DN 25		50,50	1.4404	SILICONE FDA	046C6I025SIF
				PTFE - USP 121	046C6I025PT121
DN 32		50,50	1.4404	SILICONE FDA	046C6I032SIF
				PTFE - USP 121	046C6I032PT121





ASTM A270 Tri-Clamp - Flange design according to ASME-BPE

Size	Ø A	Ø C	Valve Material	Diaphragm Material	Code
1/2" - 3/4" *	25,00		1.4404	SILICONE FDA	046D60050SIF
				PTFE - USP 121	046D60050PT121
1"		50,50	1.4404	SILICONE FDA	046D60100SIF
				PTFE - USP 121	046D60100PT121
1.1/2"		50,50	1.4404	SILICONE FDA	046D60150SIF
				PTFE - USP 121	046D60150PT121

* Special clamp included

Int. finishing: **Ra ≤ 0,4 µm**
Ext. finishing: **Ra ≤ 0,8 µm Mirror Polished**

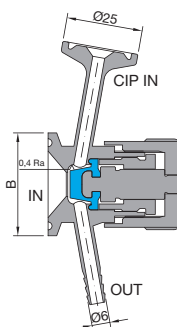
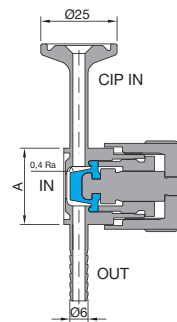
Max Working Conditions:
8 bar (120 psi) and 150°C (300°F)

Gaskets:
FDA approved SILICONE
or **USP CLASS VI - 121° PTFE**

Installation:
Horizontal installation recommended

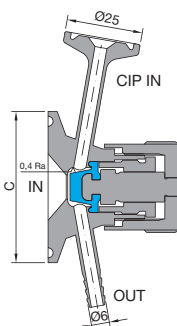
DIN 32676 Tri-Clamp

Size	Ø B	Ø C	Valve Material	Diaphragm Material	Code
DN 10	34,00		1.4404	SILICONE FDA	046D6D010SIF
				PTFE - USP 121	046D6D010PT121
DN 15	34,00		1.4404	SILICONE FDA	046D6D015SIF
				PTFE - USP 121	046D6D015PT121
DN 20	34,00		1.4404	SILICONE FDA	046D6D020SIF
				PTFE - USP 121	046D6D020PT121
DN 25		50,50	1.4404	SILICONE FDA	046D6D025SIF
				PTFE - USP 121	046D6D025PT121
DN 32		50,50	1.4404	SILICONE FDA	046D6D032SIF
				PTFE - USP 121	046D6D032PT121
DN 40		50,50	1.4404	SILICONE FDA	046D6D040SIF
				PTFE - USP 121	046D6D040PT121



ISO 1127 Tri-Clamp

Size	Ø B	Ø C	Valve Material	Diaphragm Material	Code
DN 8	34,00		1.4404	SILICONE FDA	046D6I008SIF
				PTFE - USP 121	046D6I008PT121
DN 10	34,00		1.4404	SILICONE FDA	046D6I010SIF
				PTFE - USP 121	046D6I010PT121
DN 15	34,00		1.4404	SILICONE FDA	046D6I015SIF
				PTFE - USP 121	046D6I015PT121
DN 20		50,50	1.4404	SILICONE FDA	046D6I020SIF
				PTFE - USP 121	046D6I020PT121
DN 25		50,50	1.4404	SILICONE FDA	046D6I025SIF
				PTFE - USP 121	046D6I025PT121
DN 32		50,50	1.4404	SILICONE FDA	046D6I032SIF
				PTFE - USP 121	046D6I032PT121





ASTM A270 Tri-Clamp - Flange design according to ASME-BPE

Size	Ø A	Ø C	Valve Material	Diaphragm Material	Code
1"		50,50	1.4404	SILICONE FDA	046E60100SIF
				PTFE - USP 121	046E60100PT121
1.1/2"		50,50	1.4404	SILICONE FDA	046E60150SIF
				PTFE - USP 121	046E60150PT121

Int. finishing: **Ra ≤ 0,4 µm**
Ext. finishing: **Ra ≤ 0,8 µm Mirror Polished**

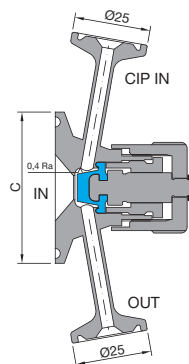
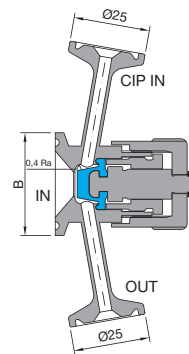
Max Working Conditions:
8 bar (120 psi) and 150°C (300°F)

Gaskets:
FDA approved SILICONE
or USP CLASS VI - 121° PTFE

Installation:
Horizontal installation recommended

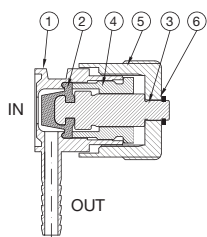
DIN 32676 Tri-Clamp

Size	Ø B	Ø C	Valve Material	Diaphragm Material	Code
DN 10	34,00		1.4404	SILICONE FDA	046E6D010SIF
				PTFE - USP 121	046E6D010PT121
DN 15	34,00		1.4404	SILICONE FDA	046E6D015SIF
				PTFE - USP 121	046E6D015PT121
DN 20	34,00		1.4404	SILICONE FDA	046E6D020SIF
				PTFE - USP 121	046E6D020PT121
DN 25		50,50	1.4404	SILICONE FDA	046E6D025SIF
				PTFE - USP 121	046E6D025PT121
DN 32		50,50	1.4404	SILICONE FDA	046E6D032SIF
				PTFE - USP 121	046E6D032PT121
DN 40		50,50	1.4404	SILICONE FDA	046E6D040SIF
				PTFE - USP 121	046E6D040PT121

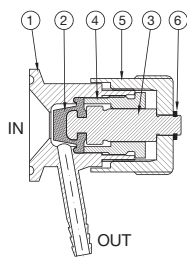


ISO 1127 Tri-Clamp

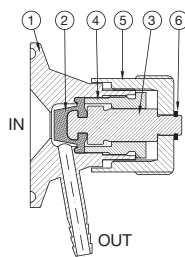
Size	Ø B	Ø C	Valve Material	Diaphragm Material	Code
DN 8	34,00		1.4404	SILICONE FDA	046E6I008SIF
				PTFE - USP 121	046E6I008PT121
DN 10	34,00		1.4404	SILICONE FDA	046E6I010SIF
				PTFE - USP 121	046E6I010PT121
DN 15	34,00		1.4404	SILICONE FDA	046E6I015SIF
				PTFE - USP 121	046E6I015PT121
DN 20		50,50	1.4404	SILICONE FDA	046E6I020SIF
				PTFE - USP 121	046E6I020PT121
DN 25		50,50	1.4404	SILICONE FDA	046E6I025SIF
				PTFE - USP 121	046E6I025PT121
DN 32		50,50	1.4404	SILICONE FDA	046E6I032SIF
				PTFE - USP 121	046E6I032PT121



ASTM A270: Ø A 25



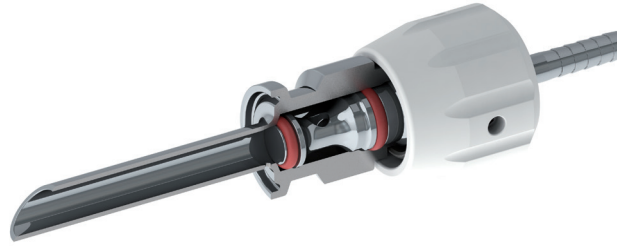
DIN / ISO: Ø B 34



ASTM A270 / DIN / ISO: Ø C 50,50

N°	Name	Material
1	Body	AISI 316L
2	Diaphragm	SILICONE FDA or PTFE
3	Piston	AISI 316L
4	Ring	AISI 316L
5	Handle	AISI 316L
6	Seeger	AISI 304

N°	Description	Valve size	Code
2	Diaphragm PTFE - USP 121° - n° 1 pcs	all sizes	046ZXPT121002
2	Diaphragm SILICONE FDA - n° 1 pcs	all sizes	046ZXSIF002
2+3	Diaphragm PTFE - USP 121° + Piston - n° 1 + 1 pcs	all sizes	046ZX000023K2
2+3	Diaphragm SILICONE FDA + Piston - n° 1 + 1 pcs	all sizes	046ZX000023K1
3	Piston for PTFE Diaphragm - n° 1 pcs	all sizes	046Z6PT121003
4	Ring - n° 1 pcs	all sizes	046Z6000004
5	Stainless Steel Handle - n° 1 pcs	all sizes	046Z6000005
6	Seeger - n° 10 pcs	all sizes	SEEGERSV
10	Piston for SILICONE Diaphragm - n° 1 pcs	all sizes	046Z6SIF003

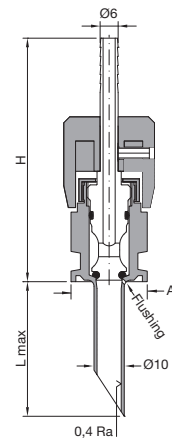


ASTM A270 Tri-Clamp - Flange design according to ASME-BPE
DIN 32676 Tri-Clamp
ISO 1127 Tri-Clamp

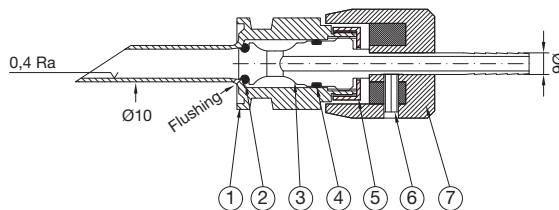
Ø A	H	L max	Valve Material	O-Rings Material	Code
25,00	53,00	80,00	1.4404	FPM/FKM	057A6TC25V
				EPDM	057A6TC25EP
				SILICONE FDA	057A6TC25SIF
				SILICONE USP 121	057A6TC25SI121
34,00	56,00	80,00	1.4404	FPM/FKM	057A6TC34V
				EPDM	057A6TC34EP
				SILICONE FDA	057A6TC34SIF
				SILICONE USP 121	057A6TC34SI121
50,50	56,00	80,00	1.4404	FPM/FKM	057A6TC50V
				EPDM	057A6TC50EP
				SILICONE FDA	057A6TC50SIF
				SILICONE USP 121	057A6TC50SI121

Int. finishing: **Ra ≤ 0,4 µm**
Ext. finishing: **Ra ≤ 0,8 µm Mirror Polished**

Max Working Conditions:
12 bar (170 psi) and 150°C (300°F)

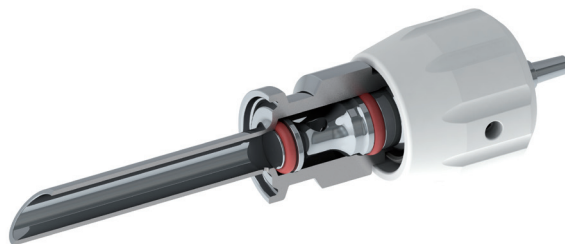


Spare parts



N°	Name	Material
1	Body	AISI 316L
2	O-Ring 3021	FPM/FKM or EPDM or SILICONE FDA or SILICONE USP 121
3	Piston	AISI 316L
4	O-Ring 2037	FPM/FKM or EPDM or SILICONE FDA or SILICONE USP 121
5	Ring	AISI 316L
6	Grub Screw M4	AISI 304
7	Handle	PTFE + INOX

N°	Description	Valve size	Code
2+4	O-Ring Kit 3021 / 2037 FPM/FKM - n° 10 + 10 pcs	all sizes	ORSV1010V
2+4	O-Ring Kit 3021 / 2037 EPDM - n° 10 + 10 pcs	all sizes	ORSV1010EP
2+4	O-Ring Kit 3021 / 2037 SILICONE FDA - n° 10 + 10 pcs	all sizes	ORSV1010SIF
2+4	O-Ring Kit 3021 / 2037 SILICONE USP 121° - n° 10 + 10 pcs	all sizes	ORSV1010SI121
5	Ring - n° 1 pcs	all sizes	AAAA0090
6	Grub Screw M4 Kit - n° 10 pcs	all sizes	ORSVM4X10
7	Handle PTFE + INOX - n° 1 pcs	all sizes	ORSVHA2

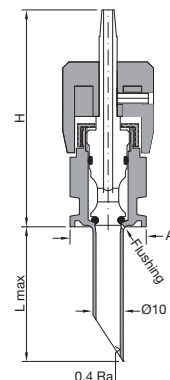


ASTM A270 Tri-Clamp - Flange design according to ASME-BPE
DIN 32676 Tri-Clamp
ISO 1127 Tri-Clamp

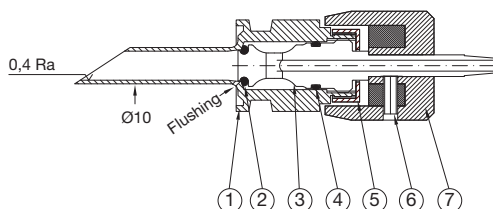
Ø A	H	L max	Valve Material	O-Rings Material	Code
25,00	53,00	80,00	1.4404	FPM/FKM	057G6TC25V
				EPDM	057G6TC25EP
				SILICONE FDA	057G6TC25SIF
				SILICONE USP 121	057G6TC25SI121
34,00	56,00	80,00	1.4404	FPM/FKM	057G6TC34V
				EPDM	057G6TC34EP
				SILICONE FDA	057G6TC34SIF
				SILICONE USP 121	057G6TC34SI121
50,50	56,00	80,00	1.4404	FPM/FKM	057G6TC50V
				EPDM	057G6TC50EP
				SILICONE FDA	057G6TC50SIF
				SILICONE USP 121	057G6TC50SI121

Int. finishing: **Ra ≤ 0,4 µm**
Ext. finishing: **Ra ≤ 0,8 µm Mirror Polished**

Max Working Conditions:
12 bar (170 psi) and 150°C (300°F)

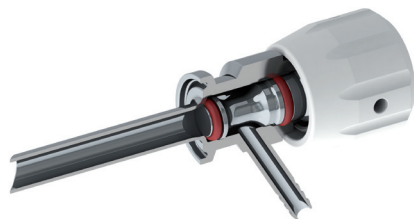


Spare parts



N°	Name	Material
1	Body	AISI 316L
2	O-Ring 3021	FPM/FKM or EPDM or SILICONE FDA or SILICONE USP 121
3	Piston	AISI 316L
4	O-Ring 2037	FPM/FKM or EPDM or SILICONE FDA or SILICONE USP 121
5	Ring	AISI 316L
6	Grub Screw M4	AISI 304
7	Handle	PTFE + INOX

N°	Description	Valve size	Code
2+4	O-Ring Kit 3021 / 2037 FPM/FKM - n° 10 + 10 pcs	all sizes	ORSV1010V
2+4	O-Ring Kit 3021 / 2037 EPDM - n° 10 + 10 pcs	all sizes	ORSV1010EP
2+4	O-Ring Kit 3021 / 2037 SILICONE FDA - n° 10 + 10 pcs	all sizes	ORSV1010SIF
2+4	O-Ring Kit 3021 / 2037 SILICONE USP 121 - n° 10 + 10 pcs	all sizes	ORSV1010SI121
5	Ring - n° 1 pcs	all sizes	AAAA0090
6	Grub Screw M4 Kit - n° 10 pcs	all sizes	ORSVM4X10
7	Handle PTFE + INOX - n° 1 pcs	all sizes	ORSVHA2



Select L (Left) or R (Right) or UP (Up) design. Codes showed on this catalog are for "right to left" (R) flow. Change last letter on the code tab to order valves with correct flow.

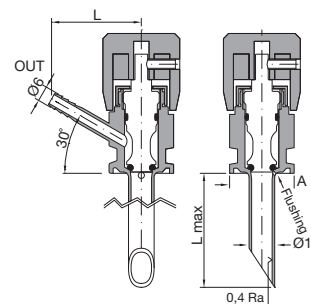
ASTM A270 Tri-Clamp - Flange design according to ASME-BPE
DIN 32676 Tri-Clamp
ISO 1127 Tri-Clamp

Ø A	L	L max	Valve Material	O-Rings Material	Code
25,00	35,00	80,00	1.4404	FPM/FKM	058A6TC25VR
				EPDM	058A6TC25EPR
				SILICONE FDA	058A6TC25SIFR
				SILICONE USP 121	058A6TC25SI121R
34,00	35,00	80,00	1.4404	FPM/FKM	058A6TC34VR
				EPDM	058A6TC34EPR
				SILICONE FDA	058A6TC34SIFR
				SILICONE USP 121	058A6TC34SI121R
50,50	41,00	80,00	1.4404	FPM/FKM	058A6TC50VR
				EPDM	058A6TC50EPR
				SILICONE FDA	058A6TC50SIFR
				SILICONE USP 121	058A6TC50SI121R

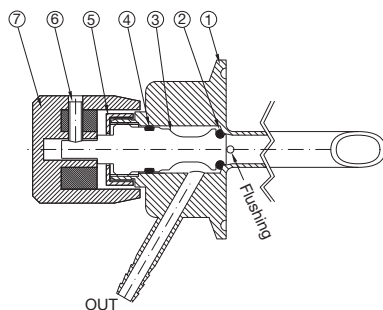
Int. finishing: Ra ≤ 0,4 µm
Ext. finishing: Ra ≤ 0,8 µm Mirror Polished

Max Working Conditions:
12 bar (170 psi) and 150°C (300°F)

Installation:
Check correct flow direction during assembly
Horizontal installation recommended



Spare parts



N°	Name	Material
1	Body	AISI 316L
2	O-Ring 3021	FPM/FKM or EPDM or SILICONE FDA or SILICONE USP 121
3	Piston	AISI 316L
4	O-Ring 2037	FPM/FKM or EPDM or SILICONE FDA or SILICONE USP 121
5	Ring	AISI 316L
6	Grub Screw M4	AISI 304
7	Handle	PTFE + INOX

N°	Description	Valve size	Code
2+4	O-Ring Kit 3021 / 2037 FPM/FKM - n° 10 + 10 pcs	all sizes	ORSV1010V
2+4	O-Ring Kit 3021 / 2037 EPDM - n° 10 + 10 pcs	all sizes	ORSV1010EP
2+4	O-Ring Kit 3021 / 2037 SILICONE FDA - n° 10 + 10 pcs	all sizes	ORSV1010SIF
2+4	O-Ring Kit 3021 / 2037 SILICONE USP 121° - n° 10 + 10 pcs	all sizes	ORSV1010SI121
5	Ring - n° 1 pcs	all sizes	AAAA0090
6	Grub Screw M4 Kit - n° 10 pcs	all sizes	ORSVM4X10
7	Handle PTFE + INOX - n° 1 pcs	all sizes	ORSVHA1



Select L (Left) or R (Right) or UP (Up) design. Codes showed on this catalog are for "right to left" (R) flow. Change last letter on the code tab to order valves with correct flow.

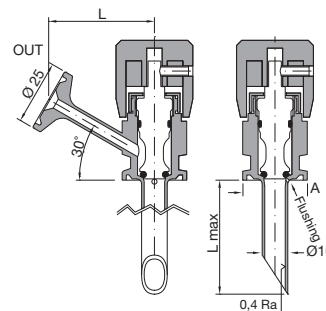
ASTM A270 Tri-Clamp - Flange design according to ASME-BPE
DIN 32676 Tri-Clamp
ISO 1127 Tri-Clamp

Ø A	L	L max	Valve Material	O-Rings Material	Code
25,00	46,00	80,00	1.4404	FPM/FKM	058B6TC25VR
				EPDM	058B6TC25EPR
				SILICONE FDA	058B6TC25SIFR
				SILICONE USP 121	058B6TC25SI121R
34,00	46,00	80,00	1.4404	FPM/FKM	058B6TC34VR
				EPDM	058B6TC34EPR
				SILICONE FDA	058B6TC34SIFR
				SILICONE USP 121	058B6TC34SI121R
50,50	52,00	80,00	1.4404	FPM/FKM	058B6TC50VR
				EPDM	058B6TC50EPR
				SILICONE FDA	058B6TC50SIFR
				SILICONE USP 121	058B6TC50SI121R

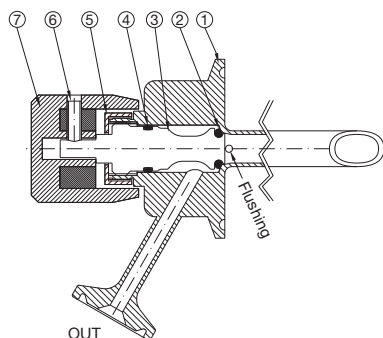
Int. finishing: $Ra \leq 0,4 \mu m$
Ext. finishing: $Ra \leq 0,8 \mu m$ Mirror Polished

Max Working Conditions:
12 bar (170 psi) and 150°C (300°F)

Installation:
Check correct flow direction during assembly
Horizontal installation recommended

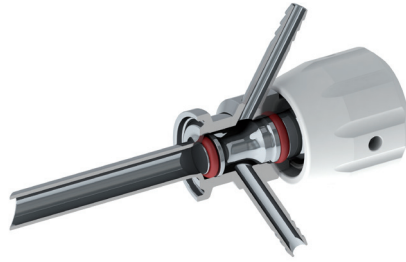


Spare parts



N°	Name	Material
1	Body	AISI 316L
2	O-Ring 3021	FPM/FKM or EPDM or SILICONE FDA or SILICONE USP 121
3	Piston	AISI 316L
4	O-Ring 2037	FPM/FKM or EPDM or SILICONE FDA or SILICONE USP 121
5	Ring	AISI 316L
6	Grub Screw M4	AISI 304
7	Handle	PTFE + INOX

N°	Description	Valve size	Code
2+4	O-Ring Kit 3021 / 2037 FPM/FKM - n° 10 + 10 pcs	all sizes	ORSV1010V
2+4	O-Ring Kit 3021 / 2037 EPDM - n° 10 + 10 pcs	all sizes	ORSV1010EP
2+4	O-Ring Kit 3021 / 2037 SILICONE FDA - n° 10 + 10 pcs	all sizes	ORSV1010SIF
2+4	O-Ring Kit 3021 / 2037 SILICONE USP 121° - n° 10 + 10 pcs	all sizes	ORSV1010SI121
5	Ring - n° 1 pcs	all sizes	AAAA0090
6	Grub Screw M4 Kit - n° 10 pcs	all sizes	ORSVM4X10
7	Handle PTFE + INOX - n° 1 pcs	all sizes	ORSVHA1



Select **L (Left)** or **R (Right)** or **UP (Up)** design. Codes showed on this catalog are for "right to left" (R) flow. Change last letter on the code tab to order valves with correct flow.

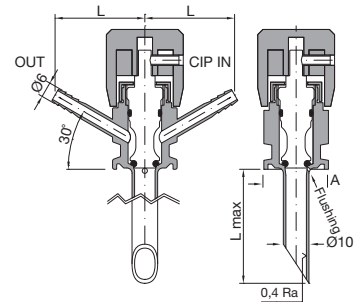
ASTM A270 Tri-Clamp - Flange design according to ASME-BPE
DIN 32676 Tri-Clamp
ISO 1127 Tri-Clamp

Ø A	L	L max	Valve Material	O-Rings Material	Code
25,00	35,00	80,00	1.4404	FPM/FKM	058C6TC25VR
				EPDM	058C6TC25EPR
				SILICONE FDA	058C6TC25SIFR
				SILICONE USP 121	058C6TC25SI121R
34,00	35,00	80,00	1.4404	FPM/FKM	058C6TC34VR
				EPDM	058C6TC34EPR
				SILICONE FDA	058C6TC34SIFR
				SILICONE USP 121	058C6TC34SI121R
50,50	41,00	80,00	1.4404	FPM/FKM	058C6TC50VR
				EPDM	058C6TC50EPR
				SILICONE FDA	058C6TC50SIFR
				SILICONE USP 121	058C6TC50SI121R

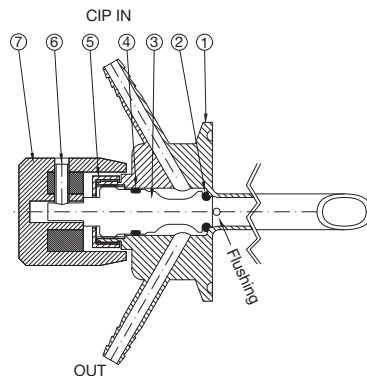
Int. finishing: **Ra ≤ 0,4 µm**
Ext. finishing: **Ra ≤ 0,8 µm Mirror Polished**

Max Working Conditions:
12 bar (170 psi) and 150°C (300°F)

Installation:
Check correct flow direction during assembly
Horizontal installation recommended



Spare parts



N°	Name	Material
1	Body	AISI 316L
2	O-Ring 3021	FPM/FKM or EPDM or SILICONE FDA or SILICONE USP 121
3	Piston	AISI 316L
4	O-Ring 2037	FPM/FKM or EPDM or SILICONE FDA or SILICONE USP 121
5	Ring	AISI 316L
6	Grub Screw M4	AISI 304
7	Handle	PTFE + INOX

N°	Description	Valve size	Code
2+4	O-Ring Kit 3021 / 2037 FPM/FKM - n° 10 + 10 pcs	all sizes	ORSV1010V
2+4	O-Ring Kit 3021 / 2037 EPDM - n° 10 + 10 pcs	all sizes	ORSV1010EP
2+4	O-Ring Kit 3021 / 2037 SILICONE FDA - n° 10 + 10 pcs	all sizes	ORSV1010SIF
2+4	O-Ring Kit 3021 / 2037 SILICONE USP 121° - n° 10 + 10 pcs	all sizes	ORSV1010SI121
5	Ring - n° 1 pcs	all sizes	AAAA0090
6	Grub Screw M4 Kit - n° 10 pcs	all sizes	ORSVM4X10
7	Handle PTFE + INOX - n° 1 pcs	all sizes	ORSVHA1



Select L (Left) or R (Right) or UP (Up) design. Codes showed on this catalog are for "right to left" (R) flow. Change last letter on the code tab to order valves with correct flow.

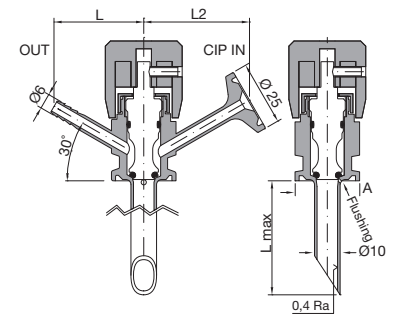
ASTM A270 Tri-Clamp - Flange design according to ASME-BPE
DIN 32676 Tri-Clamp
ISO 1127 Tri-Clamp

Ø A	L	L2	L max	Valve Material	O-Rings Material	Code
25,00	35,00	46,00	80,00	1.4404	FPM/FKM	058D6TC25VR
					EPDM	058D6TC25EPR
					SILICONE FDA	058D6TC25SIFR
					SILICONE USP 121	058D6TC25SI121R
34,00	35,00	46,00	80,00	1.4404	FPM/FKM	058D6TC34VR
					EPDM	058D6TC34EPR
					SILICONE FDA	058D6TC34SIFR
					SILICONE USP 121	058D6TC34SI121R
50,50	41,00	52,00	80,00	1.4404	FPM/FKM	058D6TC50VR
					EPDM	058D6TC50EPR
					SILICONE FDA	058D6TC50SIFR
					SILICONE USP 121	058D6TC50SI121R

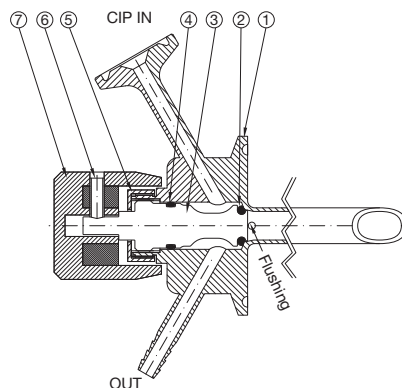
Int. finishing: Ra ≤ 0,4 µm
Ext. finishing: Ra ≤ 0,8 µm Mirror Polished

Max Working Conditions:
12 bar (170 psi) and 150°C (300°F)

Installation:
Check correct flow direction during assembly
Horizontal installation recommended



Spare parts



N°	Name	Material
1	Body	AISI 316L
2	O-Ring 3021	FPM/FKM or EPDM or SILICONE FDA or SILICONE USP 121
3	Piston	AISI 316L
4	O-Ring 2037	FPM/FKM or EPDM or SILICONE FDA or SILICONE USP 121
5	Ring	AISI 316L
6	Grub Screw M4	AISI 304
7	Handle	PTFE + INOX

N°	Description	Valve size	Code
2+4	O-Ring Kit 3021 / 2037 FPM/FKM - n° 10 + 10 pcs	all sizes	ORSV1010V
2+4	O-Ring Kit 3021 / 2037 EPDM - n° 10 + 10 pcs	all sizes	ORSV1010EP
2+4	O-Ring Kit 3021 / 2037 SILICONE FDA - n° 10 + 10 pcs	all sizes	ORSV1010SIF
2+4	O-Ring Kit 3021 / 2037 SILICONE USP 121 - n° 10 + 10 pcs	all sizes	ORSV1010SI121
5	Ring - n° 1 pcs	all sizes	AAAA0090
6	Grub Screw M4 Kit - n° 10 pcs	all sizes	ORSVM4X10
7	Handle PTFE + INOX - n° 1 pcs	all sizes	ORSVHA1



Select L (Left) or R (Right) or UP (Up) design. Codes showed on this catalog are for "right to left" (R) flow. Change last letter on the code tab to order valves with correct flow.

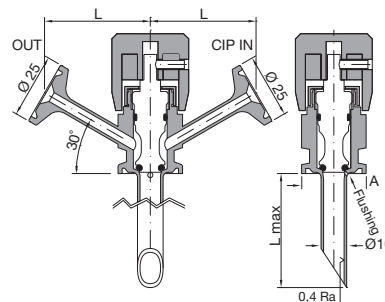
ASTM A270 Tri-Clamp - Flange design according to ASME-BPE
DIN 32676 Tri-Clamp
ISO 1127 Tri-Clamp

Ø A	L	L2	L max	Valve Material	O-Rings Material	Code
25,00	35,00	46,00	80,00	1.4404	FPM/FKM	058E6TC25VR
					EPDM	058E6TC25EPR
					SILICONE FDA	058E6TC25SIFR
					SILICONE USP 121	058E6TC25SI121R
34,00	35,00	46,00	80,00	1.4404	FPM/FKM	058E6TC34VR
					EPDM	058E6TC34EPR
					SILICONE FDA	058E6TC34SIFR
					SILICONE USP 121	058E6TC34SI121R
50,50	41,00	52,00	80,00	1.4404	FPM/FKM	058E6TC50VR
					EPDM	058E6TC50EPR
					SILICONE FDA	058E6TC50SIFR
					SILICONE USP 121	058E6TC50SI121R

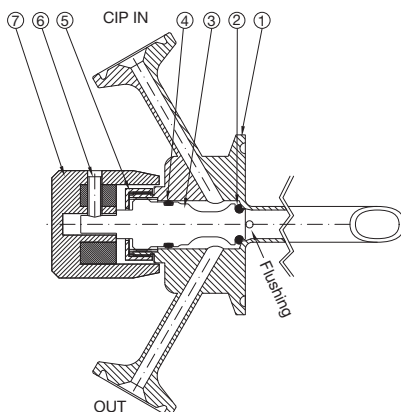
Int. finishing: $Ra \leq 0,4 \mu m$
Ext. finishing: $Ra \leq 0,8 \mu m$ Mirror Polished

Max Working Conditions:
12 bar (170 psi) and 150°C (300°F)

Installation:
Check correct flow direction during assembly
Horizontal installation recommended

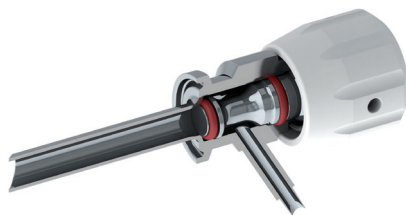


Spare parts



N°	Name	Material
1	Body	AISI 316L
2	O-Ring 3021	FPM/FKM or EPDM or SILICONE FDA or SILICONE USP 121
3	Piston	AISI 316L
4	O-Ring 2037	FPM/FKM or EPDM or SILICONE FDA or SILICONE USP 121
5	Ring	AISI 316L
6	Grub Screw M4	AISI 304
7	Handle	PTFE + INOX

N°	Description	Valve size	Code
2+4	O-Ring Kit 3021 / 2037 FPM/FKM - n° 10 + 10 pcs	all sizes	ORSV1010V
2+4	O-Ring Kit 3021 / 2037 EPDM - n° 10 + 10 pcs	all sizes	ORSV1010EP
2+4	O-Ring Kit 3021 / 2037 SILICONE FDA - n° 10 + 10 pcs	all sizes	ORSV1010SIF
2+4	O-Ring Kit 3021 / 2037 SILICONE USP 121° - n° 10 + 10 pcs	all sizes	ORSV1010SI121
5	Ring - n° 1 pcs	all sizes	AAAA0090
6	Grub Screw M4 Kit - n° 10 pcs	all sizes	ORSVM4X10
7	Handle PTFE + INOX - n° 1 pcs	all sizes	ORSVHA1



Select L (Left) or R (Right) or UP (Up) design. Codes showed on this catalog are for "right to left" (R) flow. Change last letter on the code tab to order valves with correct flow.

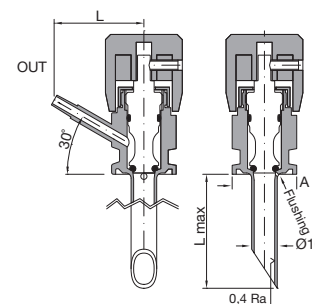
ASTM A270 Tri-Clamp - Flange design according to ASME-BPE
DIN 32676 Tri-Clamp
ISO 1127 Tri-Clamp

Ø A	L	L max	Valve Material	O-Rings Material	Code
25,00	35,00	80,00	1.4404	FPM/FKM	058G6TC25VR
				EPDM	058G6TC25EPR
				SILICONE FDA	058G6TC25SIFR
				SILICONE USP 121	058G6TC25SI121R
34,00	35,00	80,00	1.4404	FPM/FKM	058G6TC34VR
				EPDM	058G6TC34EPR
				SILICONE FDA	058G6TC34SIFR
				SILICONE USP 121	058G6TC34SI121R
50,50	41,00	80,00	1.4404	FPM/FKM	058G6TC50VR
				EPDM	058G6TC50EPR
				SILICONE FDA	058G6TC50SIFR
				SILICONE USP 121	058G6TC50SI121R

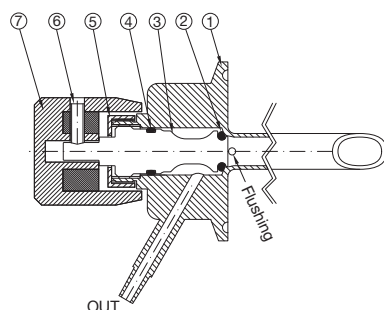
Int. finishing: Ra ≤ 0,4 µm
Ext. finishing: Ra ≤ 0,8 µm Mirror Polished

Max Working Conditions:
12 bar (170 psi) and 150°C (300°F)

Installation:
Check correct flow direction during assembly
Horizontal installation recommended



Spare parts



N°	Name	Material
1	Body	AISI 316L
2	O-Ring 3021	FPM/FKM or EPDM or SILICONE FDA or SILICONE USP 121
3	Piston	AISI 316L
4	O-Ring 2037	FPM/FKM or EPDM or SILICONE FDA or SILICONE USP 121
5	Ring	AISI 316L
6	Grub Screw M4	AISI 304
7	Handle	PTFE + INOX

N°	Description	Valve size	Code
2+4	O-Ring Kit 3021 / 2037 FPM/FKM - n° 10 + 10 pcs	all sizes	ORSV1010V
2+4	O-Ring Kit 3021 / 2037 EPDM - n° 10 + 10 pcs	all sizes	ORSV1010EP
2+4	O-Ring Kit 3021 / 2037 SILICONE FDA - n° 10 + 10 pcs	all sizes	ORSV1010SIF
2+4	O-Ring Kit 3021 / 2037 SILICONE USP 121° - n° 10 + 10 pcs	all sizes	ORSV1010SI121
5	Ring - n° 1 pcs	all sizes	AAAA0090
6	Grub Screw M4 Kit - n° 10 pcs	all sizes	ORSVM4X10
7	Handle PTFE + INOX - n° 1 pcs	all sizes	ORSVHA1



Select L (Left) or R (Right) or UP (Up) design. Codes showed on this catalog are for "right to left" (R) flow. Change last letter on the code tab to order valves with correct flow.

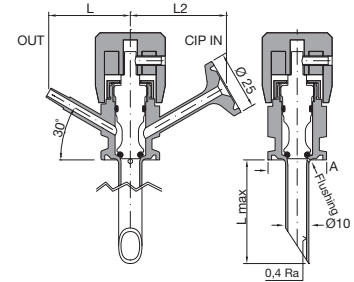
ASTM A270 Tri-Clamp - Flange design according to ASME-BPE
DIN 32676 Tri-Clamp
ISO 1127 Tri-Clamp

Ø A	L	L2	L max	Valve Material	O-Rings Material	Code
25,00	35,00	46,00	80,00	1.4404	FPM/FKM	058H6TC25VR
					EPDM	058H6TC25EPR
					SILICONE FDA	058H6TC25SIFR
					SILICONE USP 121	058H6TC25SI121R
34,00	35,00	46,00	80,00	1.4404	FPM/FKM	058H6TC34VR
					EPDM	058H6TC34EPR
					SILICONE FDA	058H6TC34SIFR
					SILICONE USP 121	058H6TC34SI121R
50,50	41,00	52,00	80,00	1.4404	FPM/FKM	058H6TC50VR
					EPDM	058H6TC50EPR
					SILICONE FDA	058H6TC50SIFR
					SILICONE USP 121	058H6TC50SI121R

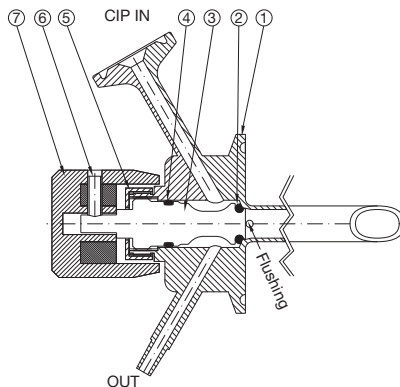
Int. finishing: Ra ≤ 0,4 µm
Ext. finishing: Ra ≤ 0,8 µm Mirror Polished

Max Working Conditions:
12 bar (170 psi) and 150°C (300°F)

Installation:
Check correct flow direction during assembly
Horizontal installation recommended



Spare parts



N°	Name	Material
1	Body	AISI 316L
2	O-Ring 3021	FPM/FKM or EPDM or SILICONE FDA or SILICONE USP 121
3	Piston	AISI 316L
4	O-Ring 2037	FPM/FKM or EPDM or SILICONE FDA or SILICONE USP 121
5	Ring	AISI 316L
6	Grub Screw M4	AISI 304
7	Handle	PTFE + INOX

N°	Description	Valve size	Code
2+4	O-Ring Kit 3021 / 2037 FPM/FKM - n° 10 + 10 pcs	all sizes	ORSV1010V
2+4	O-Ring Kit 3021 / 2037 EPDM - n° 10 + 10 pcs	all sizes	ORSV1010EP
2+4	O-Ring Kit 3021 / 2037 SILICONE FDA - n° 10 + 10 pcs	all sizes	ORSV1010SIF
2+4	O-Ring Kit 3021 / 2037 SILICONE USP 121 - n° 10 + 10 pcs	all sizes	ORSV1010SI121
5	Ring - n° 1 pcs	all sizes	AAAA0090
6	Grub Screw M4 Kit - n° 10 pcs	all sizes	ORSVM4X10
7	Handle PTFE + INOX - n° 1 pcs	all sizes	ORSVHA1



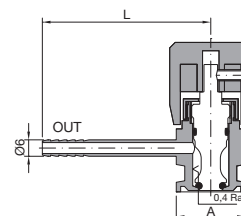
ASTM A270 Tri-Clamp - Flange design according to ASME-BPE
DIN 32676 Tri-Clamp
ISO 1127 Tri-Clamp

Ø A	L	Valve Material	O-Rings Material	Code
25,00	61,50	1.4404	FPM/FKM	044A6TC25V
			EPDM	044A6TC25EP
			SILICONE FDA	044A6TC25SIF
			SILICONE USP 121	044A6TC25SI121
34,00	61,50	1.4404	FPM/FKM	044A6TC34V
			EPDM	044A6TC34EP
			SILICONE FDA	044A6TC34SIF
			SILICONE USP 121	044A6TC34SI121
50,50	68,00	1.4404	FPM/FKM	044A6TC50V
			EPDM	044A6TC50EP
			SILICONE FDA	044A6TC50SIF
			SILICONE USP 121	044A6TC50SI121

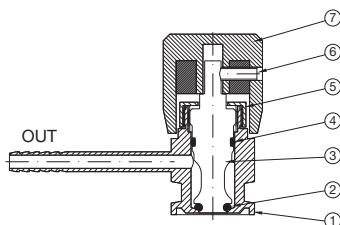
Int. finishing: **Ra ≤ 0,4 µm**
Ext. finishing: **Ra ≤ 0,8 µm Mirror Polished**

Max Working Conditions:
12 bar (170 psi) and 150°C (300°F)

Installation:
Horizontal installation recommended



Spare parts



N°	Name	Material
1	Body	AISI 316L
2	O-Ring 3021	FPM/FKM or EPDM or SILICONE FDA or SILICONE USP 121
3	Piston	AISI 316L
4	O-Ring 2037	FPM/FKM or EPDM or SILICONE FDA or SILICONE USP 121
5	Ring	AISI 316L
6	Grub Screw M4	AISI 304
7	Handle	PTFE + INOX

N°	Description	Valve size	Code
2+4	O-Ring Kit 3021 / 2037 FPM/FKM - n° 10 + 10 pcs	all sizes	ORSV1010V
2+4	O-Ring Kit 3021 / 2037 EPDM - n° 10 + 10 pcs	all sizes	ORSV1010EP
2+4	O-Ring Kit 3021 / 2037 SILICONE FDA - n° 10 + 10 pcs	all sizes	ORSV1010SIF
2+4	O-Ring Kit 3021 / 2037 SILICONE USP 121° - n° 10 + 10 pcs	all sizes	ORSV1010SI121
5	Ring - n° 1 pcs	all sizes	AAAA0090
6	Grub Screw M4 Kit - n° 10 pcs	all sizes	ORSVM4X10
7	Handle PTFE + INOX - n° 1 pcs	all sizes	ORSVHA1



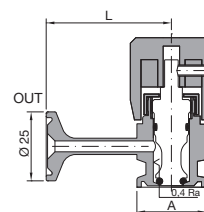
ASTM A270 Tri-Clamp - Flange design according to ASME-BPE
DIN 32676 Tri-Clamp
ISO 1127 Tri-Clamp

Ø A	L	Valve Material	O-Rings Material	Code
25,00	51,50	1.4404	FPM/FKM	044B6TC25V
			EPDM	044B6TC25EP
			SILICONE FDA	044B6TC25SIF
			SILICONE USP 121	044B6TC25SI121
34,00	51,50	1.4404	FPM/FKM	044B6TC34V
			EPDM	044B6TC34EP
			SILICONE FDA	044B6TC34SIF
			SILICONE USP 121	044B6TC34SI121
50,50	58,00	1.4404	FPM/FKM	044B6TC50V
			EPDM	044B6TC50EP
			SILICONE FDA	044B6TC50SIF
			SILICONE USP 121	044B6TC50SI121

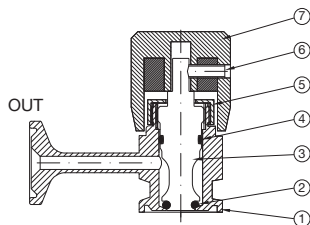
Int. finishing: **Ra ≤ 0,4 µm**
Ext. finishing: **Ra ≤ 0,8 µm Mirror Polished**

Max Working Conditions:
12 bar (170 psi) and 150°C (300°F)

Installation:
Horizontal installation recommended



Spare parts



N°	Name	Material
1	Body	AISI 316L
2	O-Ring 3021	FPM/FKM or EPDM or SILICONE FDA or SILICONE USP 121
3	Piston	AISI 316L
4	O-Ring 2037	FPM/FKM or EPDM or SILICONE FDA or SILICONE USP 121
5	Ring	AISI 316L
6	Grub Screw M4	AISI 304
7	Handle	PTFE + INOX

N°	Description	Valve size	Code
2+4	O-Ring Kit 3021 / 2037 FPM/FKM - n° 10 + 10 pcs	all sizes	ORSV1010V
2+4	O-Ring Kit 3021 / 2037 EPDM - n° 10 + 10 pcs	all sizes	ORSV1010EP
2+4	O-Ring Kit 3021 / 2037 SILICONE FDA - n° 10 + 10 pcs	all sizes	ORSV1010SIF
2+4	O-Ring Kit 3021 / 2037 SILICONE USP 121° - n° 10 + 10 pcs	all sizes	ORSV1010SI121
5	Ring - n° 1 pcs	all sizes	AAAA0090
6	Grub Screw M4 Kit - n° 10 pcs	all sizes	ORSVM4X10
7	Handle PTFE + INOX - n° 1 pcs	all sizes	ORSVHA1



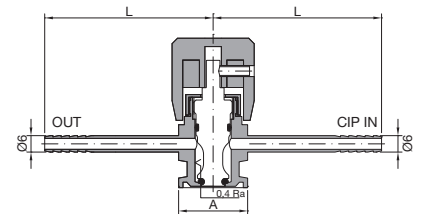
ASTM A270 Tri-Clamp - Flange design according to ASME-BPE
DIN 32676 Tri-Clamp
ISO 1127 Tri-Clamp

Ø A	L	Valve Material	O-Rings Material	Code
25,00	61,50	1.4404	FPM/FKM	044C6TC25V
			EPDM	044C6TC25EP
			SILICONE FDA	044C6TC25SIF
			SILICONE USP 121	044C6TC25SI121
34,00	61,50	1.4404	FPM/FKM	044C6TC34V
			EPDM	044C6TC34EP
			SILICONE FDA	044C6TC34SIF
			SILICONE USP 121	044C6TC34SI121
50,50	68,00	1.4404	FPM/FKM	044C6TC50V
			EPDM	044C6TC50EP
			SILICONE FDA	044C6TC50SIF
			SILICONE USP 121	044C6TC50SI121

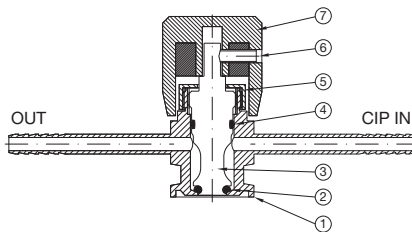
Int. finishing: **Ra ≤ 0,4 µm**
Ext. finishing: **Ra ≤ 0,8 µm Mirror Polished**

Max Working Conditions:
12 bar (170 psi) and 150°C (300°F)

Installation:
Horizontal installation recommended



Spare parts



N°	Name	Material
1	Body	AISI 316L
2	O-Ring 3021	FPM/FKM or EPDM or SILICONE FDA or SILICONE USP 121
3	Piston	AISI 316L
4	O-Ring 2037	FPM/FKM or EPDM or SILICONE FDA or SILICONE USP 121
5	Ring	AISI 316L
6	Grub Screw M4	AISI 304
7	Handle	PTFE + INOX

N°	Description	Valve size	Code
2+4	O-Ring Kit 3021 / 2037 FPM/FKM - n° 10 + 10 pcs	all sizes	ORSV1010V
2+4	O-Ring Kit 3021 / 2037 EPDM - n° 10 + 10 pcs	all sizes	ORSV1010EP
2+4	O-Ring Kit 3021 / 2037 SILICONE FDA - n° 10 + 10 pcs	all sizes	ORSV1010SIF
2+4	O-Ring Kit 3021 / 2037 SILICONE USP 121° - n° 10 + 10 pcs	all sizes	ORSV1010SI121
5	Ring - n° 1 pcs	all sizes	AAAA0090
6	Grub Screw M4 Kit - n° 10 pcs	all sizes	ORSVM4X10
7	Handle PTFE + INOX - n° 1 pcs	all sizes	ORSVHA1



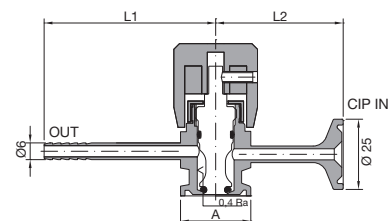
ASTM A270 Tri-Clamp - Flange design according to ASME-BPE
DIN 32676 Tri-Clamp
ISO 1127 Tri-Clamp

Ø A	L1	L2	Valve Material	O-Rings Material	Code
25,00	61,50	51,50	1.4404	FPM/FKM	044D6TC25V
				EPDM	044D6TC25EP
				SILICONE FDA	044D6TC25SIF
				SILICONE USP 121	044D6TC25SI121
34,00	61,50	51,50	1.4404	FPM/FKM	044D6TC34V
				EPDM	044D6TC34EP
				SILICONE FDA	044D6TC34SIF
				SILICONE USP 121	044D6TC34SI121
50,50	68,00	58,00	1.4404	FPM/FKM	044D6TC50V
				EPDM	044D6TC50EP
				SILICONE FDA	044D6TC50SIF
				SILICONE USP 121	044D6TC50SI121

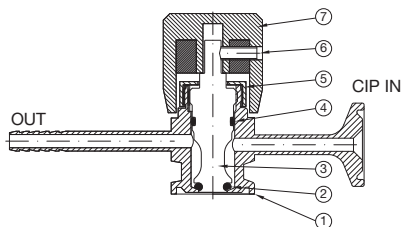
Int. finishing: **Ra ≤ 0,4 µm**
Ext. finishing: **Ra ≤ 0,8 µm Mirror Polished**

Max Working Conditions:
12 bar (170 psi) and 150°C (300°F)

Installation:
Horizontal installation recommended



Spare parts



N°	Name	Material
1	Body	AISI 316L
2	O-Ring 3021	FPM/FKM or EPDM or SILICONE FDA or SILICONE USP 121
3	Piston	AISI 316L
4	O-Ring 2037	FPM/FKM or EPDM or SILICONE FDA or SILICONE USP 121
5	Ring	AISI 316L
6	Grub Screw M4	AISI 304
7	Handle	PTFE + INOX

N°	Description	Valve size	Code
2+4	O-Ring Kit 3021 / 2037 FPM/FKM - n° 10 + 10 pcs	all sizes	ORSV1010V
2+4	O-Ring Kit 3021 / 2037 EPDM - n° 10 + 10 pcs	all sizes	ORSV1010EP
2+4	O-Ring Kit 3021 / 2037 SILICONE FDA - n° 10 + 10 pcs	all sizes	ORSV1010SIF
2+4	O-Ring Kit 3021 / 2037 SILICONE USP 121° - n° 10 + 10 pcs	all sizes	ORSV1010SI121
5	Ring - n° 1 pcs	all sizes	AAAA0090
6	Grub Screw M4 Kit - n° 10 pcs	all sizes	ORSVM4X10
7	Handle PTFE + INOX - n° 1 pcs	all sizes	ORSVHA1



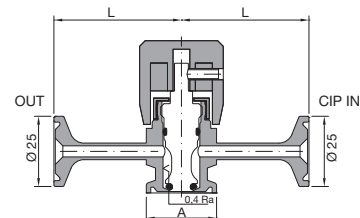
ASTM A270 Tri-Clamp - Flange design according to ASME-BPE
DIN 32676 Tri-Clamp
ISO 1127 Tri-Clamp

Ø A	L	Valve Material	O-Rings Material	Code
25,00	51,50	1.4404	FPM/FKM	044E6TC25V
			EPDM	044E6TC25EP
			SILICONE FDA	044E6TC25SIF
			SILICONE USP 121	044E6TC25SI121
34,00	51,50	1.4404	FPM/FKM	044E6TC34V
			EPDM	044E6TC34EP
			SILICONE FDA	044E6TC34SIF
			SILICONE USP 121	044E6TC34SI121
50,50	58,00	1.4404	FPM/FKM	044E6TC50V
			EPDM	044E6TC50EP
			SILICONE FDA	044E6TC50SIF
			SILICONE USP 121	044E6TC50SI121

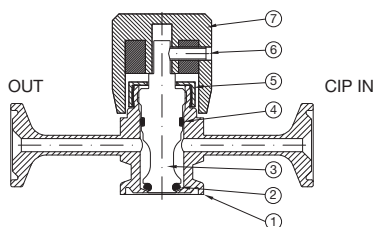
Int. finishing: $Ra \leq 0,4 \mu m$
Ext. finishing: $Ra \leq 0,8 \mu m$ Mirror Polished

Max Working Conditions:
12 bar (170 psi) and 150°C (300°F)

Installation:
Horizontal installation recommended



Spare parts



N°	Name	Material
1	Body	AISI 316L
2	O-Ring 3021	FPM/FKM or EPDM or SILICONE FDA or SILICONE USP 121
3	Piston	AISI 316L
4	O-Ring 2037	FPM/FKM or EPDM or SILICONE FDA or SILICONE USP 121
5	Ring	AISI 316L
6	Grub Screw M4	AISI 304
7	Handle	PTFE + INOX

N°	Description	Valve size	Code
2+4	O-Ring Kit 3021 / 2037 FPM/FKM - n° 10 + 10 pcs	all sizes	ORSV1010V
2+4	O-Ring Kit 3021 / 2037 EPDM - n° 10 + 10 pcs	all sizes	ORSV1010EP
2+4	O-Ring Kit 3021 / 2037 SILICONE FDA - n° 10 + 10 pcs	all sizes	ORSV1010SIF
2+4	O-Ring Kit 3021 / 2037 SILICONE USP 121° - n° 10 + 10 pcs	all sizes	ORSV1010SI121
5	Ring - n° 1 pcs	all sizes	AAAA0090
6	Grub Screw M4 Kit - n° 10 pcs	all sizes	ORSVM4X10
7	Handle PTFE + INOX - n° 1 pcs	all sizes	ORSVHA1



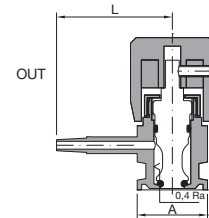
ASTM A270 Tri-Clamp - Flange design according to ASME-BPE
DIN 32676 Tri-Clamp
ISO 1127 Tri-Clamp

Ø A	L	Valve Material	O-Rings Material	Code
25,00	40,00	1.4404	FPM/FKM	044G6TC25V
			EPDM	044G6TC25EP
			SILICONE FDA	044G6TC25SIF
			SILICONE USP 121	044G6TC25SI121
34,00	40,00	1.4404	FPM/FKM	044G6TC34V
			EPDM	044G6TC34EP
			SILICONE FDA	044G6TC34SIF
			SILICONE USP 121	044G6TC34SI121
50,50	46,50	1.4404	FPM/FKM	044G6TC50V
			EPDM	044G6TC50EP
			SILICONE FDA	044G6TC50SIF
			SILICONE USP 121	044G6TC50SI121

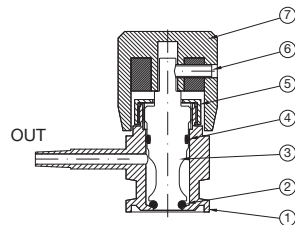
Int. finishing: **Ra ≤ 0,4 µm**
Ext. finishing: **Ra ≤ 0,8 µm Mirror Polished**

Max Working Conditions:
12 bar (170 psi) and 150°C (300°F)

Installation:
Horizontal installation recommended



Spare parts



N°	Name	Material
1	Body	AISI 316L
2	O-Ring 3021	FPM/FKM or EPDM or SILICONE FDA or SILICONE USP 121
3	Piston	AISI 316L
4	O-Ring 2037	FPM/FKM or EPDM or SILICONE FDA or SILICONE USP 121
5	Ring	AISI 316L
6	Grub Screw M4	AISI 304
7	Handle	PTFE + INOX

N°	Description	Valve size	Code
2+4	O-Ring Kit 3021 / 2037 FPM/FKM - n° 10 + 10 pcs	all sizes	ORSV1010V
2+4	O-Ring Kit 3021 / 2037 EPDM - n° 10 + 10 pcs	all sizes	ORSV1010EP
2+4	O-Ring Kit 3021 / 2037 SILICONE FDA - n° 10 + 10 pcs	all sizes	ORSV1010SIF
2+4	O-Ring Kit 3021 / 2037 SILICONE USP 121° - n° 10 + 10 pcs	all sizes	ORSV1010SI121
5	Ring - n° 1 pcs	all sizes	AAAA0090
6	Grub Screw M4 Kit - n° 10 pcs	all sizes	ORSVM4X10
7	Handle PTFE + INOX - n° 1 pcs	all sizes	ORSVHA1



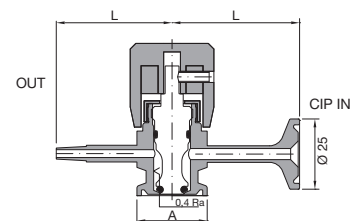
ASTM A270 Tri-Clamp - Flange design according to ASME-BPE
DIN 32676 Tri-Clamp
ISO 1127 Tri-Clamp

Ø A	L1	L2	Valve Material	O-Rings Material	Code
25,00	40,00	51,50	1.4404	FPM/FKM	044H6TC25V
				EPDM	044H6TC25EP
				SILICONE FDA	044H6TC25SIF
				SILICONE USP 121	044H6TC25SI121
34,00	40,00	51,50	1.4404	FPM/FKM	044H6TC34V
				EPDM	044H6TC34EP
				SILICONE FDA	044H6TC34SIF
				SILICONE USP 121	044H6TC34SI121
50,50	46,50	58,00	1.4404	FPM/FKM	044H6TC50V
				EPDM	044H6TC50EP
				SILICONE FDA	044H6TC50SIF
				SILICONE USP 121	044H6TC50SI121

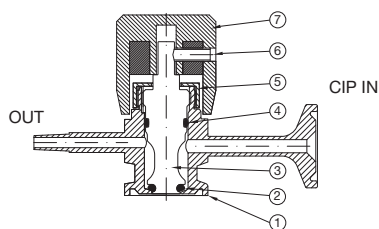
Int. finishing: **Ra ≤ 0,4 µm**
Ext. finishing: **Ra ≤ 0,8 µm Mirror Polished**

Max Working Conditions:
12 bar (170 psi) and 150°C (300°F)

Installation:
Horizontal installation recommended

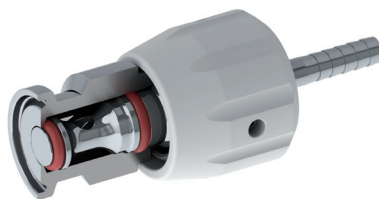


Spare parts



N°	Name	Material
1	Body	AISI 316L
2	O-Ring 3021	FPM/FKM or EPDM or SILICONE FDA or SILICONE USP 121
3	Piston	AISI 316L
4	O-Ring 2037	FPM/FKM or EPDM or SILICONE FDA or SILICONE USP 121
5	Ring	AISI 316L
6	Grub Screw M4	AISI 304
7	Handle	PTFE + INOX

N°	Description	Valve size	Code
2+4	O-Ring Kit 3021 / 2037 FPM/FKM - n° 10 + 10 pcs	all sizes	ORSV1010V
2+4	O-Ring Kit 3021 / 2037 EPDM - n° 10 + 10 pcs	all sizes	ORSV1010EP
2+4	O-Ring Kit 3021 / 2037 SILICONE FDA - n° 10 + 10 pcs	all sizes	ORSV1010SIF
2+4	O-Ring Kit 3021 / 2037 SILICONE USP 121° - n° 10 + 10 pcs	all sizes	ORSV1010SI121
5	Ring - n° 1 pcs	all sizes	AAAA0090
6	Grub Screw M4 Kit - n° 10 pcs	all sizes	ORSVM4X10
7	Handle PTFE + INOX - n° 1 pcs	all sizes	ORSVHA1



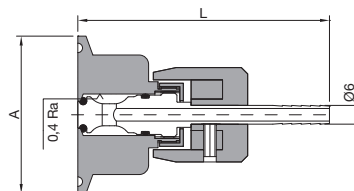
ASTM A270 Tri-Clamp - Flange design according to ASME-BPE
DIN 32676 Tri-Clamp
ISO 1127 Tri-Clamp

Ø A	L	Valve Material	O-Rings Material	Code
25,00	80,00	1.4404	FPM/FKM	045A6TC25V
			EPDM	045A6TC25EP
			SILICONE FDA	045A6TC25SIF
			SILICONE USP 121	045A6TC25SI121
34,00	80,00	1.4404	FPM/FKM	045A6TC34V
			EPDM	045A6TC34EP
			SILICONE FDA	045A6TC34SIF
			SILICONE USP 121	045A6TC34SI121
50,50	80,00	1.4404	FPM/FKM	045A6TC50V
			EPDM	045A6TC50EP
			SILICONE FDA	045A6TC50SIF
			SILICONE USP 121	045A6TC50SI121

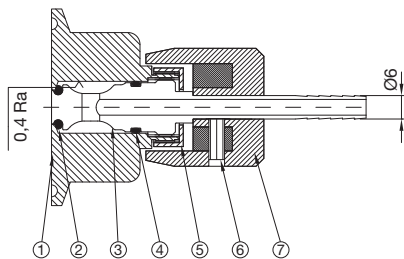
Int. finishing: **Ra ≤ 0,4 µm**
Ext. finishing: **Ra ≤ 0,8 µm Mirror Polished**

Max Working Conditions:
12 bar (170 psi) and 150°C (300°F)

Installation:
Vertical installation recommended

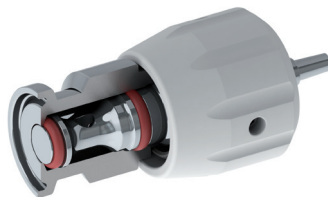


Spare parts



N°	Name	Material
1	Body	AISI 316L
2	O-Ring 3021	FPM/FKM or EPDM or SILICONE FDA or SILICONE USP 121
3	Piston	AISI 316L
4	O-Ring 2037	FPM/FKM or EPDM or SILICONE FDA or SILICONE USP 121
5	Ring	AISI 316L
6	Grub Screw M4	AISI 304
7	Handle	PTFE + INOX

N°	Description	Valve size	Code
2+4	O-Ring Kit 3021 / 2037 FPM/FKM - n° 10 + 10 pcs	all sizes	ORSV1010V
2+4	O-Ring Kit 3021 / 2037 EPDM - n° 10 + 10 pcs	all sizes	ORSV1010EP
2+4	O-Ring Kit 3021 / 2037 SILICONE FDA - n° 10 + 10 pcs	all sizes	ORSV1010SIF
2+4	O-Ring Kit 3021 / 2037 SILICONE USP 121° - n° 10 + 10 pcs	all sizes	ORSV1010SI121
5	Ring - n° 1 pcs	all sizes	AAAA0090
6	Grub Screw M4 Kit - n° 10 pcs	all sizes	ORSVM4X10
7	Handle PTFE + INOX - n° 1 pcs	all sizes	ORSVHA1



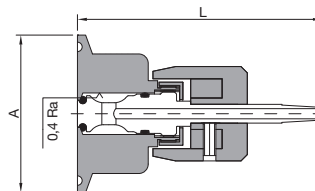
ASTM A270 Tri-Clamp - Flange design according to ASME-BPE
DIN 32676 Tri-Clamp
ISO 1127 Tri-Clamp

Ø A	L	Valve Material	O-Rings Material	Code
25,00	68,00	1.4404	FPM/FKM	045G6TC25V
			EPDM	045G6TC25EP
			SILICONE FDA	045G6TC25SIF
			SILICONE USP 121	045G6TC25SI121
34,00	68,00	1.4404	FPM/FKM	045G6TC34V
			EPDM	045G6TC34EP
			SILICONE FDA	045G6TC34SIF
			SILICONE USP 121	045G6TC34SI121
50,50	68,00	1.4404	FPM/FKM	045G6TC50V
			EPDM	045G6TC50EP
			SILICONE FDA	045G6TC50SIF
			SILICONE USP 121	045G6TC50SI121

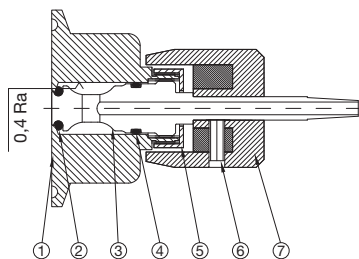
Int. finishing: **Ra ≤ 0,4 µm**
Ext. finishing: **Ra ≤ 0,8 µm Mirror Polished**

Max Working Conditions:
12 bar (170 psi) and 150°C (300°F)

Installation:
Vertical installation recommended



Spare parts



N°	Name	Material
1	Body	AISI 316L
2	O-Ring 3021	FPM/FKM or EPDM or SILICONE FDA or SILICONE USP 121
3	Piston	AISI 316L
4	O-Ring 2037	FPM/FKM or EPDM or SILICONE FDA or SILICONE USP 121
5	Ring	AISI 316L
6	Grub Screw M4	AISI 304
7	Handle	PTFE + INOX

N°	Description	Valve size	Code
2+4	O-Ring Kit 3021 / 2037 FPM/FKM - n° 10 + 10 pcs	all sizes	ORSV1010V
2+4	O-Ring Kit 3021 / 2037 EPDM - n° 10 + 10 pcs	all sizes	ORSV1010EP
2+4	O-Ring Kit 3021 / 2037 SILICONE FDA - n° 10 + 10 pcs	all sizes	ORSV1010SIF
2+4	O-Ring Kit 3021 / 2037 SILICONE USP 121° - n° 10 + 10 pcs	all sizes	ORSV1010SI121
5	Ring - n° 1 pcs	all sizes	AAAA0090
6	Grub Screw M4 Kit - n° 10 pcs	all sizes	ORSVM4X10
7	Handle PTFE + INOX - n° 1 pcs	all sizes	ORSVHA1



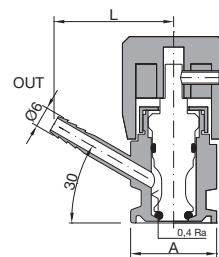
ASTM A270 Tri-Clamp - Flange design according to ASME-BPE
DIN 32676 Tri-Clamp
ISO 1127 Tri-Clamp

Ø A	L	Valve Material	O-Rings Material	Code
25,00	35,00	1.4404	FPM/FKM	090A6TC25V
			EPDM	090A6TC25EP
			SILICONE FDA	090A6TC25SIF
			SILICONE USP 121	090A6TC25SI121
34,00	35,00	1.4404	FPM/FKM	090A6TC34V
			EPDM	090A6TC34EP
			SILICONE FDA	090A6TC34SIF
			SILICONE USP 121	090A6TC34SI121
50,50	41,00	1.4404	FPM/FKM	090A6TC50V
			EPDM	090A6TC50EP
			SILICONE FDA	090A6TC50SIF
			SILICONE USP 121	090A6TC50SI121

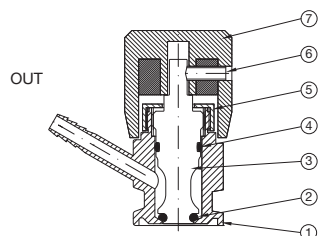
Int. finishing: **Ra ≤ 0,4 µm**
Ext. finishing: **Ra ≤ 0,8 µm Mirror Polished**

Max Working Conditions:
12 bar (170 psi) and 150°C (300°F)

Installation:
Horizontal installation recommended



Spare parts



N°	Name	Material
1	Body	AISI 316L
2	O-Ring 3021	FPM/FKM or EPDM or SILICONE FDA or SILICONE USP 121
3	Piston	AISI 316L
4	O-Ring 2037	FPM/FKM or EPDM or SILICONE FDA or SILICONE USP 121
5	Ring	AISI 316L
6	Grub Screw M4	AISI 304
7	Handle	PTFE + INOX

N°	Description	Valve size	Code
2+4	O-Ring Kit 3021 / 2037 FPM/FKM - n° 10 + 10 pcs	all sizes	ORSV1010V
2+4	O-Ring Kit 3021 / 2037 EPDM - n° 10 + 10 pcs	all sizes	ORSV1010EP
2+4	O-Ring Kit 3021 / 2037 SILICONE FDA - n° 10 + 10 pcs	all sizes	ORSV1010SIF
2+4	O-Ring Kit 3021 / 2037 SILICONE USP 121° - n° 10 + 10 pcs	all sizes	ORSV1010SI121
5	Ring - n° 1 pcs	all sizes	AAAA0090
6	Grub Screw M4 Kit - n° 10 pcs	all sizes	ORSVM4X10
7	Handle PTFE + INOX - n° 1 pcs	all sizes	ORSVHA1



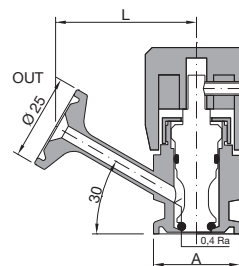
ASTM A270 Tri-Clamp - Flange design according to ASME-BPE
DIN 32676 Tri-Clamp
ISO 1127 Tri-Clamp

Ø A	L	Valve Material	O-Rings Material	Code
25,00	51,50	1.4404	FPM/FKM	090B6TC25V
			EPDM	090B6TC25EP
			SILICONE FDA	090B6TC25SIF
			SILICONE USP 121	090B6TC25SI121
34,00	51,50	1.4404	FPM/FKM	090B6TC34V
			EPDM	090B6TC34EP
			SILICONE FDA	090B6TC34SIF
			SILICONE USP 121	090B6TC34SI121
50,50	58,00	1.4404	FPM/FKM	090B6TC50V
			EPDM	090B6TC50EP
			SILICONE FDA	090B6TC50SIF
			SILICONE USP 121	090B6TC50SI121

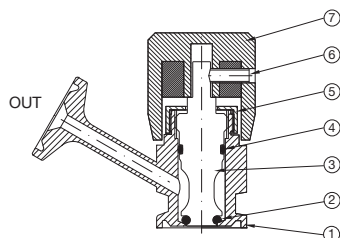
Int. finishing: $Ra \leq 0,4 \mu m$
Ext. finishing: $Ra \leq 0,8 \mu m$ Mirror Polished

Max Working Conditions:
12 bar (170 psi) and 150°C (300°F)

Installation:
Horizontal installation recommended



Spare parts



N°	Name	Material
1	Body	AISI 316L
2	O-Ring 3021	FPM/FKM or EPDM or SILICONE FDA or SILICONE USP 121
3	Piston	AISI 316L
4	O-Ring 2037	FPM/FKM or EPDM or SILICONE FDA or SILICONE USP 121
5	Ring	AISI 316L
6	Grub Screw M4	AISI 304
7	Handle	PTFE + INOX

N°	Description	Valve size	Code
2+4	O-Ring Kit 3021 / 2037 FPM/FKM - n° 10 + 10 pcs	all sizes	ORSV1010V
2+4	O-Ring Kit 3021 / 2037 EPDM - n° 10 + 10 pcs	all sizes	ORSV1010EP
2+4	O-Ring Kit 3021 / 2037 SILICONE FDA - n° 10 + 10 pcs	all sizes	ORSV1010SIF
2+4	O-Ring Kit 3021 / 2037 SILICONE USP 121° - n° 10 + 10 pcs	all sizes	ORSV1010SI121
5	Ring - n° 1 pcs	all sizes	AAAA0090
6	Grub Screw M4 Kit - n° 10 pcs	all sizes	ORSVM4X10
7	Handle PTFE + INOX - n° 1 pcs	all sizes	ORSVHA1



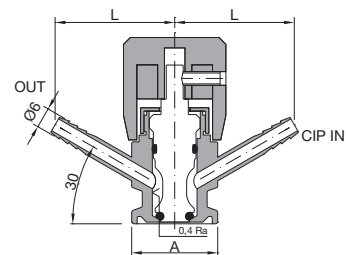
ASTM A270 Tri-Clamp - Flange design according to ASME-BPE
DIN 32676 Tri-Clamp
ISO 1127 Tri-Clamp

Ø A	L	Valve Material	O-Rings Material	Code
25,00	61,50	1.4404	FPM/FKM	090C6TC25V
			EPDM	090C6TC25EP
			SILICONE FDA	090C6TC25SIF
			SILICONE USP 121	090C6TC25SI121
34,00	61,50	1.4404	FPM/FKM	090C6TC34V
			EPDM	090C6TC34EP
			SILICONE FDA	090C6TC34SIF
			SILICONE USP 121	090C6TC34SI121
50,50	68,00	1.4404	FPM/FKM	090C6TC50V
			EPDM	090C6TC50EP
			SILICONE FDA	090C6TC50SIF
			SILICONE USP 121	090C6TC50SI121

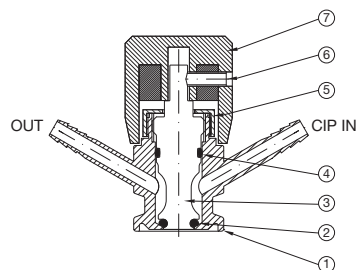
Int. finishing: **Ra ≤ 0,4 µm**
Ext. finishing: **Ra ≤ 0,8 µm Mirror Polished**

Max Working Conditions:
12 bar (170 psi) and 150°C (300°F)

Installation:
Horizontal installation recommended



Spare parts



N°	Name	Material
1	Body	AISI 316L
2	O-Ring 3021	FPM/FKM or EPDM or SILICONE FDA or SILICONE USP 121
3	Piston	AISI 316L
4	O-Ring 2037	FPM/FKM or EPDM or SILICONE FDA or SILICONE USP 121
5	Ring	AISI 316L
6	Grub Screw M4	AISI 304
7	Handle	PTFE + INOX

N°	Description	Valve size	Code
2+4	O-Ring Kit 3021 / 2037 FPM/FKM - n° 10 + 10 pcs	all sizes	ORSV1010V
2+4	O-Ring Kit 3021 / 2037 EPDM - n° 10 + 10 pcs	all sizes	ORSV1010EP
2+4	O-Ring Kit 3021 / 2037 SILICONE FDA - n° 10 + 10 pcs	all sizes	ORSV1010SIF
2+4	O-Ring Kit 3021 / 2037 SILICONE USP 121° - n° 10 + 10 pcs	all sizes	ORSV1010SI121
5	Ring - n° 1 pcs	all sizes	AAAA0090
6	Grub Screw M4 Kit - n° 10 pcs	all sizes	ORSVM4X10
7	Handle PTFE + INOX - n° 1 pcs	all sizes	ORSVHA1



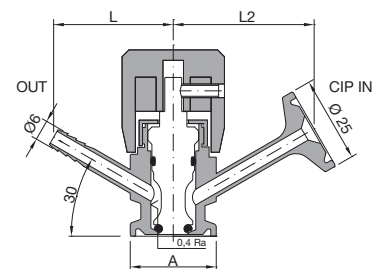
ASTM A270 Tri-Clamp - Flange design according to ASME-BPE
DIN 32676 Tri-Clamp
ISO 1127 Tri-Clamp

Ø A	L1	L2	Valve Material	O-Rings Material	Code
25,00	61,50	51,50	1.4404	FPM/FKM	090D6TC25V
				EPDM	090D6TC25EP
				SILICONE FDA	090D6TC25SIF
				SILICONE USP 121	090D6TC25SI121
34,00	61,50	51,50	1.4404	FPM/FKM	090D6TC34V
				EPDM	090D6TC34EP
				SILICONE FDA	090D6TC34SIF
				SILICONE USP 121	090D6TC34SI121
50,50	68,00	58,00	1.4404	FPM/FKM	090D6TC50V
				EPDM	090D6TC50EP
				SILICONE FDA	090D6TC50SIF
				SILICONE USP 121	090D6TC50SI121

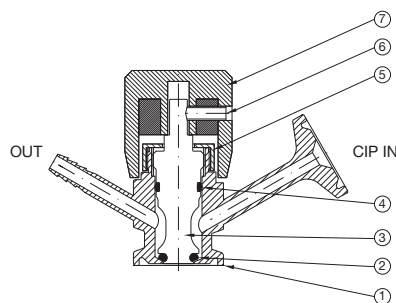
Int. finishing: **Ra ≤ 0,4 µm**
Ext. finishing: **Ra ≤ 0,8 µm Mirror Polished**

Max Working Conditions:
12 bar (170 psi) and 150°C (300°F)

Installation:
Horizontal installation recommended



Spare parts



N°	Name	Material
1	Body	AISI 316L
2	O-Ring 3021	FPM/FKM or EPDM or SILICONE FDA or SILICONE USP 121
3	Piston	AISI 316L
4	O-Ring 2037	FPM/FKM or EPDM or SILICONE FDA or SILICONE USP 121
5	Ring	AISI 316L
6	Grub Screw M4	AISI 304
7	Handle	PTFE + INOX

N°	Description	Valve size	Code
2+4	O-Ring Kit 3021 / 2037 FPM/FKM - n° 10 + 10 pcs	all sizes	ORSV1010V
2+4	O-Ring Kit 3021 / 2037 EPDM - n° 10 + 10 pcs	all sizes	ORSV1010EP
2+4	O-Ring Kit 3021 / 2037 SILICONE FDA - n° 10 + 10 pcs	all sizes	ORSV1010SIF
2+4	O-Ring Kit 3021 / 2037 SILICONE USP 121° - n° 10 + 10 pcs	all sizes	ORSV1010SI121
5	Ring - n° 1 pcs	all sizes	AAAA0090
6	Grub Screw M4 Kit - n° 10 pcs	all sizes	ORSVM4X10
7	Handle PTFE + INOX - n° 1 pcs	all sizes	ORSVHA1



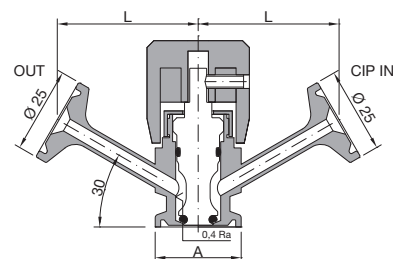
ASTM A270 Tri-Clamp - Flange design according to ASME-BPE
DIN 32676 Tri-Clamp
ISO 1127 Tri-Clamp

Ø A	L	Valve Material	O-Rings Material	Code
25,00	51,50	1.4404	FPM/FKM	090E6TC25V
			EPDM	090E6TC25EP
			SILICONE FDA	090E6TC25SIF
			SILICONE USP 121	090E6TC25SI121
34,00	51,50	1.4404	FPM/FKM	090E6TC34V
			EPDM	090E6TC34EP
			SILICONE FDA	090E6TC34SIF
			SILICONE USP 121	090E6TC34SI121
50,50	58,00	1.4404	FPM/FKM	090E6TC50V
			EPDM	090E6TC50EP
			SILICONE FDA	090E6TC50SIF
			SILICONE USP 121	090E6TC50SI121

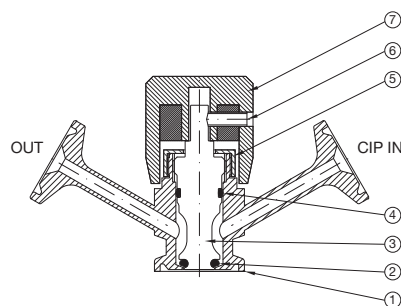
Int. finishing: **Ra ≤ 0,4 µm**
Ext. finishing: **Ra ≤ 0,8 µm Mirror Polished**

Max Working Conditions:
12 bar (170 psi) and 150°C (300°F)

Installation:
Horizontal installation recommended



Spare parts



N°	Name	Material
1	Body	AISI 316L
2	O-Ring 3021	FPM/FKM or EPDM or SILICONE FDA or SILICONE USP 121
3	Piston	AISI 316L
4	O-Ring 2037	FPM/FKM or EPDM or SILICONE FDA or SILICONE USP 121
5	Ring	AISI 316L
6	Grub Screw M4	AISI 304
7	Handle	PTFE + INOX

N°	Description	Valve size	Code
2+4	O-Ring Kit 3021 / 2037 FPM/FKM - n° 10 + 10 pcs	all sizes	ORSV1010V
2+4	O-Ring Kit 3021 / 2037 EPDM - n° 10 + 10 pcs	all sizes	ORSV1010EP
2+4	O-Ring Kit 3021 / 2037 SILICONE FDA - n° 10 + 10 pcs	all sizes	ORSV1010SIF
2+4	O-Ring Kit 3021 / 2037 SILICONE USP 121° - n° 10 + 10 pcs	all sizes	ORSV1010SI121
5	Ring - n° 1 pcs	all sizes	AAAA0090
6	Grub Screw M4 Kit - n° 10 pcs	all sizes	ORSVM4X10
7	Handle PTFE + INOX - n° 1 pcs	all sizes	ORSVHA1



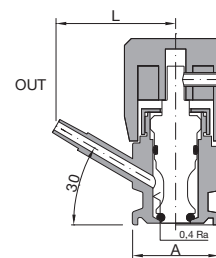
ASTM A270 Tri-Clamp - Flange design according to ASME-BPE
DIN 32676 Tri-Clamp
ISO 1127 Tri-Clamp

Ø A	L	Valve Material	O-Rings Material	Code
25,00	40,00	1.4404	FPM/FKM	090G6TC25V
			EPDM	090G6TC25EP
			SILICONE FDA	090G6TC25SIF
			SILICONE USP 121	090G6TC25SI121
34,00	40,00	1.4404	FPM/FKM	090G6TC34V
			EPDM	090G6TC34EP
			SILICONE FDA	090G6TC34SIF
			SILICONE USP 121	090G6TC34SI121
50,50	46,50	1.4404	FPM/FKM	090G6TC50V
			EPDM	090G6TC50EP
			SILICONE FDA	090G6TC50SIF
			SILICONE USP 121	090G6TC50SI121

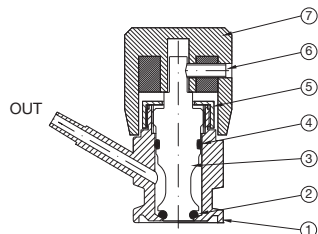
Int. finishing: **Ra ≤ 0,4 µm**
Ext. finishing: **Ra ≤ 0,8 µm Mirror Polished**

Max Working Conditions:
12 bar (170 psi) and 150°C (300°F)

Installation:
Horizontal installation recommended



Spare parts



N°	Name	Material
1	Body	AISI 316L
2	O-Ring 3021	FPM/FKM or EPDM or SILICONE FDA or SILICONE USP 121
3	Piston	AISI 316L
4	O-Ring 2037	FPM/FKM or EPDM or SILICONE FDA or SILICONE USP 121
5	Ring	AISI 316L
6	Grub Screw M4	AISI 304
7	Handle	PTFE + INOX

N°	Description	Valve size	Code
2+4	O-Ring Kit 3021 / 2037 FPM/FKM - n° 10 + 10 pcs	all sizes	ORSV1010V
2+4	O-Ring Kit 3021 / 2037 EPDM - n° 10 + 10 pcs	all sizes	ORSV1010EP
2+4	O-Ring Kit 3021 / 2037 SILICONE FDA - n° 10 + 10 pcs	all sizes	ORSV1010SIF
2+4	O-Ring Kit 3021 / 2037 SILICONE USP 121° - n° 10 + 10 pcs	all sizes	ORSV1010SI121
5	Ring - n° 1 pcs	all sizes	AAAA0090
6	Grub Screw M4 Kit - n° 10 pcs	all sizes	ORSVM4X10
7	Handle PTFE + INOX - n° 1 pcs	all sizes	ORSVHA1



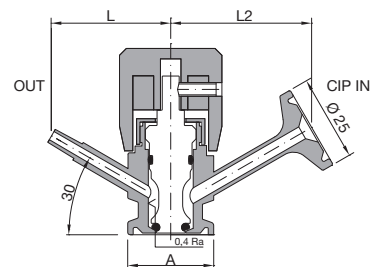
ASTM A270 Tri-Clamp - Flange design according to ASME-BPE
DIN 32676 Tri-Clamp
ISO 1127 Tri-Clamp

Ø A	L1	L2	Valve Material	O-Rings Material	Code
25,00	40,00	51,50	1.4404	FPM/FKM	090H6TC25V
				EPDM	090H6TC25EP
				SILICONE FDA	090H6TC25SIF
				SILICONE USP 121	090H6TC25SI121
34,00	40,00	51,50	1.4404	FPM/FKM	090H6TC34V
				EPDM	090H6TC34EP
				SILICONE FDA	090H6TC34SIF
				SILICONE USP 121	090H6TC34SI121
50,50	46,50	58,00	1.4404	FPM/FKM	090H6TC50V
				EPDM	090H6TC50EP
				SILICONE FDA	090H6TC50SIF
				SILICONE USP 121	090H6TC50SI121

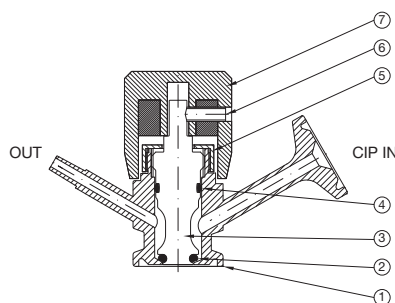
Int. finishing: **Ra ≤ 0,4 µm**
Ext. finishing: **Ra ≤ 0,8 µm Mirror Polished**

Max Working Conditions:
12 bar (170 psi) and 150°C (300°F)

Installation:
Horizontal installation recommended



Spare parts



N°	Name	Material
1	Body	AISI 316L
2	O-Ring 3021	FPM/FKM or EPDM or SILICONE FDA or SILICONE USP 121
3	Piston	AISI 316L
4	O-Ring 2037	FPM/FKM or EPDM or SILICONE FDA or SILICONE USP 121
5	Ring	AISI 316L
6	Grub Screw M4	AISI 304
7	Handle	PTFE + INOX

N°	Description	Valve size	Code
2+4	O-Ring Kit 3021 / 2037 FPM/FKM - n° 10 + 10 pcs	all sizes	ORSV1010V
2+4	O-Ring Kit 3021 / 2037 EPDM - n° 10 + 10 pcs	all sizes	ORSV1010EP
2+4	O-Ring Kit 3021 / 2037 SILICONE FDA - n° 10 + 10 pcs	all sizes	ORSV1010SIF
2+4	O-Ring Kit 3021 / 2037 SILICONE USP 121° - n° 10 + 10 pcs	all sizes	ORSV1010SI121
5	Ring - n° 1 pcs	all sizes	AAAA0090
6	Grub Screw M4 Kit - n° 10 pcs	all sizes	ORSVM4X10
7	Handle PTFE + INOX - n° 1 pcs	all sizes	ORSVHA1



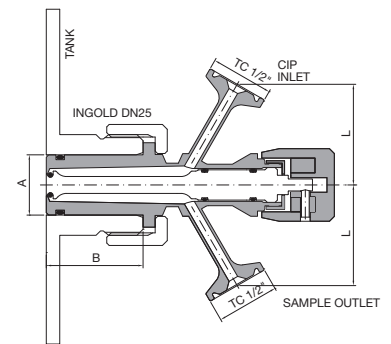
ASTM A270 Tri-Clamp - Flange design according to ASME-BPE

Size	Ø A	B	L	Valve Material	O-Rings Material	Code
DN 25	25,00	40,00	41,00	1.4404	FPM/FKM	091E6IN025V
					EPDM	091E6IN025EP
					SILICONE FDA	091E6IN025SIF
					SILICONE USP 121	091E6IN025SI121

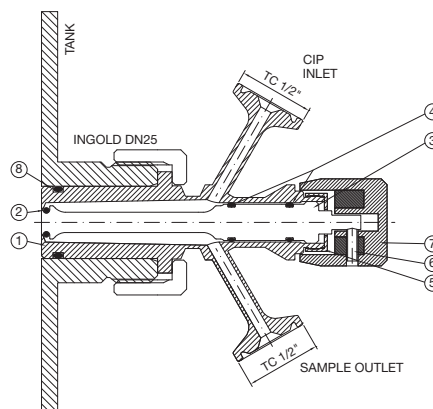
Int. finishing: **Ra ≤ 0,4 µm**
Ext. finishing: **Ra ≤ 0,8 µm Mirror Polished**

Max Working Conditions:
12 bar (170 psi) and 150°C (300°F)

Installation:
Horizontal installation recommended



Spare parts



N°	Name	Material
1	Body	AISI 316L
2	O-Ring 3021	FPM/FKM or EPDM or SILICONE FDA or SILICONE USP 121
3	Piston	AISI 316L
4	O-Ring 2037	FPM/FKM or EPDM or SILICONE FDA or SILICONE USP 121
5	Ring	AISI 316L
6	Grub Screw M4	AISI 304
7	Handle	PTFE + INOX
8	O-Ring 3081	FPM/FKM or EPDM or SILICONE FDA or SILICONE USP 121

N°	Description	Valve size	Code
2+4	O-Ring Kit 3021 / 2037 / 3081 FPM/FKM - n° 10 + 20 + 10 pcs	all sizes	ORSV102010V
2+4	O-Ring Kit 3021 / 2037 / 3081 EPDM - n° 10 + 20 + 10 pcs	all sizes	ORSV102010EP
2+4	O-Ring Kit 3021 / 2037 / 3081 SILICONE FDA - n° 10 + 20 + 10 pcs	all sizes	ORSV102010SIF
2+4	O-Ring Kit 3021 / 2037 / 3081 SILICONE USP 121° - n° 10 + 20 + 10 pcs	all sizes	ORSV102010SI121
5	Ring - n° 1 pcs	all sizes	AAAA0090
6	Grub Screw M4 Kit - n° 10 pcs	all sizes	ORSVM4X10
7	Handle PTFE + INOX - n° 1 pcs	all sizes	ORSVHA1



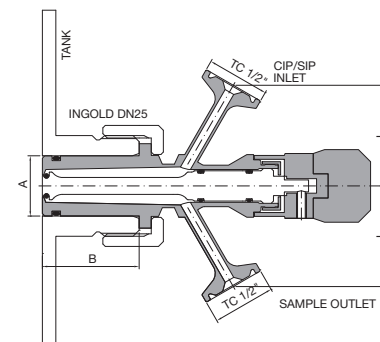
ASTM A270 Tri-Clamp - Flange design according to ASME-BPE

Size	Ø A	B	L	Valve Material	O-Rings Material	Code
DN 25	25,00	40,00	41,00	1.4404	FPM/FKM	091F6IN025V
					EPDM	091F6IN025EP
					SILICONE FDA	091F6IN025SIF
					SILICONE USP 121	091F6IN025SI121

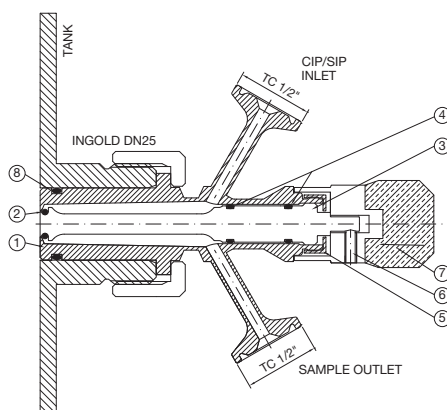
Int. finishing: **Ra ≤ 0,4 µm**
Ext. finishing: **Ra ≤ 0,8 µm Mirror Polished**

Max Working Conditions:
12 bar (170 psi) and 150°C (300°F)

Installation:
Horizontal installation recommended



Spare parts



N°	Name	Material
1	Body	AISI 316L
2	O-Ring 3021	FPM/FKM or EPDM or SILICONE FDA or SILICONE USP 121
3	Piston	AISI 316L
4	O-Ring 2037	FPM/FKM or EPDM or SILICONE FDA or SILICONE USP 121
5	Ring	AISI 316L
6	Grub Screw M4	AISI 304
7	Removable Handle	PTFE + INOX
8	O-Ring 3081	FPM/FKM or EPDM or SILICONE FDA or SILICONE USP 121

N°	Description	Valve size	Code
2+4	O-Ring Kit 3021 / 2037 / 3081 FPM/FKM - n° 10 + 20 + 10 pcs	all sizes	ORSV102010V
2+4	O-Ring Kit 3021 / 2037 / 3081 EPDM - n° 10 + 20 + 10 pcs	all sizes	ORSV102010EP
2+4	O-Ring Kit 3021 / 2037 / 3081 SILICONE FDA - n° 10 + 20 + 10 pcs	all sizes	ORSV102010SIF
2+4	O-Ring Kit 3021 / 2037 / 3081 SILICONE USP 121° - n° 10 + 20 + 10 pcs	all sizes	ORSV102010SI121
5	Ring - n° 1 pcs	all sizes	AAAA0090
6	Grub Screw M4 Kit - n° 10 pcs	all sizes	ORSVM4X10
7	Removable Handle PTFE + INOX - n° 1 pcs	all sizes	091F600007PTF



ART. 023/A

ART. 023/C

ART. 023/A 1 Hose Barb Outlet

ASTM A270 Tri-Clamp - Flange design according to ASME-BPE

Size	Ø B	L	Valve Material	O-Ring Material	Code
1/2"	6,00	38,00	1.4404	FPM/FKM	023A60050V
				EPDM	023A60050EP
				SILICONE FDA	023A60050SIF
3/4"	6,00	38,00	1.4404	FPM/FKM	023A60075V
				EPDM	023A60075EP
				SILICONE FDA	023A60075SIF

Int. finishing: $Ra \leq 1,2 \mu m$
Ext. finishing: $Ra \leq 1,6 \mu m$ mirror polished

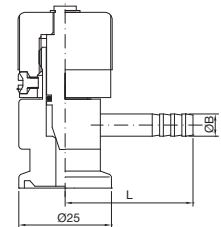
Max Working Conditions:
6 bar (87 psi) and 150°C (300°F)

Installation:
Horizontal installation recommended

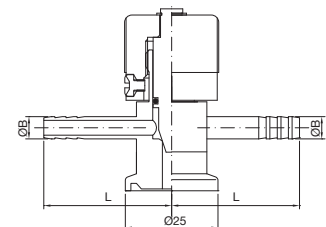
ART. 023/C 1 Hose Barb Outlet + 1 CIP Hose Barb Inlet

ASTM A270 Tri-Clamp - Flange design according to ASME-BPE

Size	Ø B	L	Valve Material	O-Ring Material	Code
1/2"	6,00	38,00	1.4404	FPM/FKM	023C60050V
				EPDM	023C60050EP
				SILICONE FDA	023C60050SIF
3/4"	6,00	38,00	1.4404	FPM/FKM	023C60075V
				EPDM	023C60075EP
				SILICONE FDA	023C60075SIF

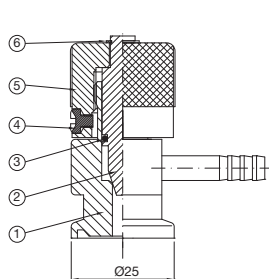


ART. 023/A

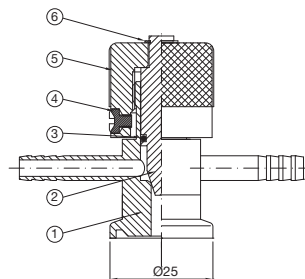


ART. 023/C

Spare parts



ART. 023/A



ART. 023/C

N°	Name	Material
1	Body	AISI 316L
2	Piston	AISI 316L
3	O-Ring 2025	FPM/FKM or EPDM or SILICONE FDA
4	M3 Screw	AISI 304
5	Handle	AISI 316L
6	Seeger	AISI 304

N°	Description	Valve size	Code
2	Piston - n° 1 pcs	all sizes	AAAA0381
3	O-Ring Kit 2025 FPM/FKM - n° 5 pcs	all sizes	ORNSV05V
3	O-Ring Kit 2025 EPDM - n° 5 pcs	all sizes	ORNSV05EP
3	O-Ring Kit 2025 SILICONE FDA - n° 5 pcs	all sizes	ORNSV05SIF
5	Handle - n° 1 pcs	all sizes	AAAA0380
6	Seeger - n° 10 pcs	all sizes	SEEGERSV



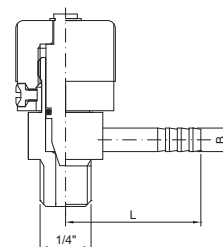
Male Gas Threaded

Size	Ø B	L	Valve Material	O-Ring Material	Code
1/4"	6,00	38,00	1.4404	FPM/FKM	022Z60025V
				EPDM	022Z60025EP
				SILICONE FDA	022Z60025SIF

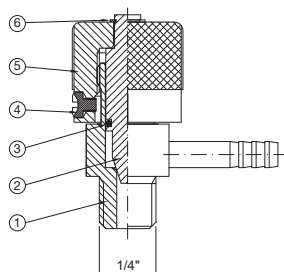
Int. finishing: **Ra ≤ 1,2 µm**
Ext. finishing: **Ra ≤ 1,6 µm mirror polished**

Max Working Conditions:
6 bar (87 psi) and 150°C (300°F)

Installation:
Horizontal installation recommended



Spare parts



N°	Name	Material
1	Body	AISI 316L
2	Piston	AISI 316L
3	O-Ring 2025	FPM/FKM or EPDM or SILICONE FDA
4	M3 Screw	AISI 304
5	Handle	AISI 316L
6	Seeger	AISI 304

N°	Description	Valve size	Code
2	Piston - n° 1 pcs	all sizes	AAAA0381
3	O-Ring Kit 2025 FPM/FKM - n° 5 pcs	all sizes	ORNSV05V
3	O-Ring Kit 2025 EPDM - n° 5 pcs	all sizes	ORNSV05EP
3	O-Ring Kit 2025 SILICONE FDA - n° 5 pcs	all sizes	ORNSV05SIF
5	Handle - n° 1 pcs	all sizes	AAAA0380
6	Seeger - n° 10 pcs	all sizes	SEEGERSV



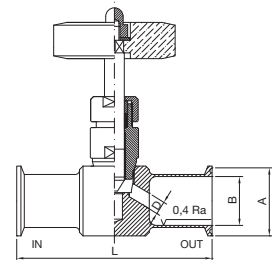
ASTM A270 Tri-Clamp

Size	Ø A	Ø B	Ø D	Ø L	Valve Material	Gasket Material	Code
1/4"	25,00	4,57	4,00	101,60	1.4404	PTFE - FDA	049Z60025PT70
						PTFE - USP 121	049Z60025PT121
3/8"	25,00	7,75	5,50	101,60	1.4404	PTFE - FDA	049Z60037PT70
						PTFE - USP 121	049Z60037PT121
1/2"	25,00	9,40	5,50	101,60	1.4404	PTFE - FDA	049Z60050PT70
						PTFE - USP 121	049Z60050PT121
3/4"	25,00	15,75	7,00	101,60	1.4404	PTFE - FDA	049Z60075PT70
						PTFE - USP 121	049Z60075PT121
1"	50,50	22,10	9,00	114,30	1.4404	PTFE - FDA	049Z60100PT70
						PTFE - USP 121	049Z60100PT121
1.1/2"	50,50	34,80	11,50	139,70	1.4404	PTFE - FDA	049Z60150PT70
						PTFE - USP 121	049Z60150PT121
2"	64,00	47,50	17,00	158,80	1.4404	PTFE - FDA	049Z60200PT70
						PTFE - USP 121	049Z60200PT121
2.1/2"	77,50	60,20	27,50	212,00	1.4404	PTFE - FDA	049Z60250PT70
						PTFE - USP 121	049Z60250PT121

Int. finishing: **Ra ≤ 0,4 µm**
Ext. finishing: **Ra ≤ 0,8 µm Mirror Polished**

Max Working Conditions:
10 bar (120 psi) and 150°C (300°F)

Gaskets:
FDA approved PTFE
or USP CLASS VI - 121° PTFE



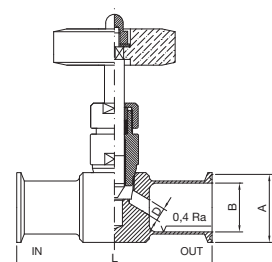
DIN 32676 Tri-Clamp

Size	Ø A	Ø B	Ø D	Ø L	Valve Material	Gasket Material	Code
DN10	34,00	10,00	5,50	101,60	1.4404	PTFE - FDA	049Z6D010PT70
						PTFE - USP 121	049Z6D010PT121
DN15	34,00	16,00	7,00	87,00	1.4404	PTFE - FDA	049Z6D015PT70
						PTFE - USP 121	049Z6D015PT121
DN20	34,00	20,00	7,00	87,00	1.4404	PTFE - FDA	049Z6D020PT70
						PTFE - USP 121	049Z6D020PT121
DN25	50,50	26,00	9,00	114,30	1.4404	PTFE - FDA	049Z6D025PT70
						PTFE - USP 121	049Z6D025PT121
DN32	50,50	32,00	11,50	139,70	1.4404	PTFE - FDA	049Z6D032PT70
						PTFE - USP 121	049Z6D032PT121
DN40	50,50	38,00	11,50	139,70	1.4404	PTFE - FDA	049Z6D040PT70
						PTFE - USP 121	049Z6D040PT121

Int. finishing: **Ra ≤ 0,4 µm**
Ext. finishing: **Ra ≤ 0,8 µm Mirror Polished**

Max Working Conditions:
10 bar (120 psi) and 150°C (300°F)

Gaskets:
FDA approved PTFE
or USP CLASS VI - 121° PTFE





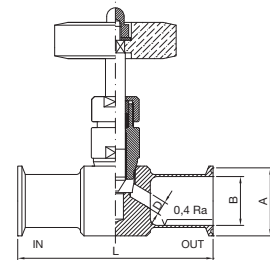
ISO 1127 Tri-Clamp

Size	Ø A	Ø B	Ø D	Ø L	Valve Material	Gasket Material	Code
DN8	34,00	10,30	5,50	101,60	1.4404	PTFE - FDA	049Z61008PT70
						PTFE - USP 121	049Z61008PT121
DN10	34,00	14,00	5,50	101,60	1.4404	PTFE - FDA	049Z61010PT70
						PTFE - USP 121	049Z61010PT121
DN15	34,00	18,10	7,00	87,00	1.4404	PTFE - FDA	049Z61015PT70
						PTFE - USP 121	049Z61015PT121
DN20	50,50	23,70	9,00	114,30	1.4404	PTFE - FDA	049Z61020PT70
						PTFE - USP 121	049Z61020PT121
DN25	50,50	29,70	9,00	114,30	1.4404	PTFE - FDA	049Z61025PT70
						PTFE - USP 121	049Z61025PT121
DN32	50,50	38,40	11,50	139,70	1.4404	PTFE - FDA	049Z61032PT70
						PTFE - USP 121	049Z61032PT121
DN40	50,50	44,30	11,50	139,70	1.4404	PTFE - FDA	049Z61040PT70
						PTFE - USP 121	049Z61040PT121

Int. finishing: $Ra \leq 0,4 \mu m$
 Ext. finishing: $Ra \leq 0,8 \mu m$ Mirror Polished

Max Working Conditions:
10 bar (120 psi) and 150°C (300°F)

Gaskets:
FDA approved PTFE
or USP CLASS VI - 121° PTFE





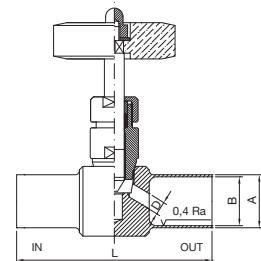
ASTM A270 Butt Weld

Size	Ø A	Ø B	Ø D	Ø L	Valve Material	Gasket Material	Code
1/4"	6,35	4,57	4,00	101,60	1.4404	PTFE - FDA	049W60025 PT70
						PTFE - USP 121	049W60025 PT121
3/8"	9,53	7,75	5,50	101,60	1.4404	PTFE - FDA	049W60037 PT70
						PTFE - USP 121	049W60037 PT121
1/2"	12,7	9,40	5,50	101,60	1.4404	PTFE - FDA	049W60050 PT70
						PTFE - USP 121	049W60050 PT121
3/4"	19,05	15,75	7,00	101,60	1.4404	PTFE - FDA	049W60075 PT70
						PTFE - USP 121	049W60075 PT121
1"	25,40	22,10	9,00	114,30	1.4404	PTFE - FDA	049W60100 PT70
						PTFE - USP 121	049W60100 PT121
1.1/2"	38,10	34,80	11,50	139,70	1.4404	PTFE - FDA	049W60150 PT70
						PTFE - USP 121	049W60150 PT121
2"	50,80	47,50	17,00	158,80	1.4404	PTFE - FDA	049W60200 PT70
						PTFE - USP 121	049W60200 PT121
2.1/2"	63,50	60,20	27,50	212,00	1.4404	PTFE - FDA	049W60250 PT70
						PTFE - USP 121	049W60250 PT121

Int. finishing: **Ra ≤ 0,4 µm**
Ext. finishing: **Ra ≤ 0,8 µm Mirror Polished**

Max Working Conditions:
10 bar (120 psi) and 150°C (300°F)

Gaskets:
FDA approved PTFE
or USP CLASS VI - 121° PTFE



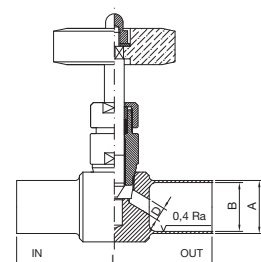
DIN 32676 Butt Weld

Size	Ø A	Ø B	Ø D	Ø L	Valve Material	Gasket Material	Code
DN10	13,00	10,00	5,50	101,60	1.4404	PTFE - FDA	049W6D010 PT70
						PTFE - USP 121	049W6D010 PT121
DN15	19,00	16,00	7,00	87,00	1.4404	PTFE - FDA	049W6D015 PT70
						PTFE - USP 121	049W6D015 PT121
DN20	23,00	20,00	7,00	87,00	1.4404	PTFE - FDA	049W6D020 PT70
						PTFE - USP 121	049W6D020 PT121
DN25	29,00	26,00	9,00	114,30	1.4404	PTFE - FDA	049W6D025 PT70
						PTFE - USP 121	049W6D025 PT121
DN32	35,00	32,00	11,50	139,70	1.4404	PTFE - FDA	049W6D032 PT70
						PTFE - USP 121	049W6D032 PT121
DN40	41,00	38,00	11,50	139,70	1.4404	PTFE - FDA	049W6D040 PT70
						PTFE - USP 121	049W6D040 PT121

Int. finishing: **Ra ≤ 0,4 µm**
Ext. finishing: **Ra ≤ 0,8 µm Mirror Polished**

Max Working Conditions:
10 bar (120 psi) and 150°C (300°F)

Gaskets:
FDA approved PTFE
or USP CLASS VI - 121° PTFE





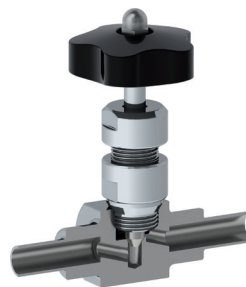
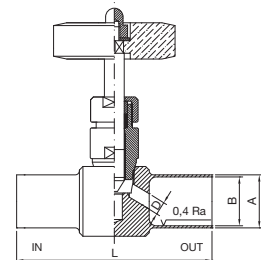
ISO 1127 Butt Weld

Size	Ø A	Ø B	Ø D	Ø L	Valve Material	Gasket Material	Code
DN8	13,50	10,30	5,50	101,60	1.4404	PTFE - FDA	049W6I008 PT70
						PTFE - USP 121	049W6I008 PT121
DN10	17,20	14,00	5,50	101,60	1.4404	PTFE - FDA	049W6I010 PT70
						PTFE - USP 121	049W6I010 PT121
DN15	21,30	18,10	7,00	87,00	1.4404	PTFE - FDA	049W6I015 PT70
						PTFE - USP 121	049W6I015 PT121
DN20	26,90	23,70	9,00	114,30	1.4404	PTFE - FDA	049W6I020 PT70
						PTFE - USP 121	049W6I020 PT121
DN25	33,70	29,70	9,00	114,30	1.4404	PTFE - FDA	049W6I025 PT70
						PTFE - USP 121	049W6I025 PT121
DN32	42,40	38,40	11,50	139,70	1.4404	PTFE - FDA	049W6I032 PT70
						PTFE - USP 121	049W6I032 PT121
DN40	48,30	44,30	11,50	139,70	1.4404	PTFE - FDA	049W6I040 PT70
						PTFE - USP 121	049W6I040 PT121

Int. finishing: **Ra ≤ 0,4 µm**
Ext. finishing: **Ra ≤ 0,8 µm Mirror Polished**

Max Working Conditions:
10 bar (120 psi) and 150°C (300°F)

Gaskets:
FDA approved PTFE
or USP CLASS VI - 121° PTFE



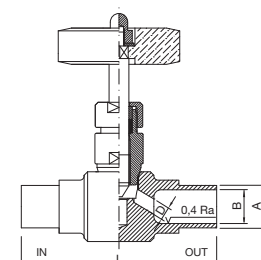
Metric Pipe SP 1.0 mm Butt Weld

Size	Ø A	Ø B	Ø D	Ø L	Valve Material	Gasket Material	Code
DN4	6,00	4,00	4,00	101,60	1.4404	PTFE - FDA	049W6DN04 PT70
						PTFE - USP 121	049W6DN04 PT121
DN6	8,00	6,00	4,00	101,60	1.4404	PTFE - FDA	049W6DN06 PT70
						PTFE - USP 121	049W6DN06 PT121
DN8	10,00	8,00	4,00	101,60	1.4404	PTFE - FDA	049W6DN08 PT70
						PTFE - USP 121	049W6DN08 PT121
DN10	12,00	10,00	5,50	101,60	1.4404	PTFE - FDA	049W6DN10 PT70
						PTFE - USP 121	049W6DN10 PT121
DN12	14,00	12,00	5,50	101,60	1.4404	PTFE - FDA	049W6DN12 PT70
						PTFE - USP 121	049W6DN12 PT121

Int. finishing: **Ra ≤ 0,4 µm**
Ext. finishing: **Ra ≤ 0,8 µm Mirror Polished**

Max Working Conditions:
10 bar (120 psi) and 150°C (300°F)

Gaskets:
FDA approved PTFE
or USP CLASS VI - 121° PTFE



Nous suivons les qualités surlignées en jaune.

ASTM A270 Tri-Clamp - Flange design according to ASME-BPE 2009



Int. finishing: $Ra \leq 0,4 \mu m$
Ext. finishing: $Ra \leq 0,8 \mu m$ Mirror Polished

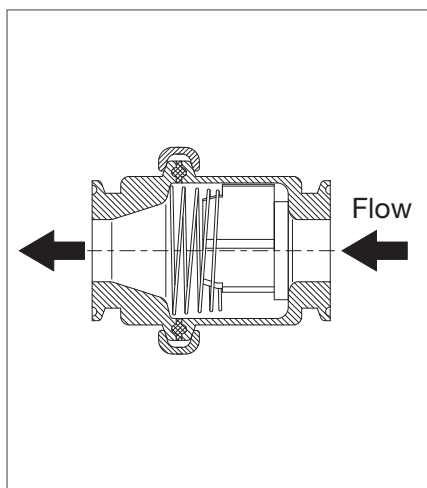
Max Working Conditions:
10 bar (120 psi) and 150°C (300°F)

Gaskets:
USP CLASS VI - 70° PTFE
or USP CLASS VI - 121° PTFE

Size	Ø A	Ø B	L	Valve Material	Gasket Material	Code
1/2"	25,00	9,40	70,00	1.4404	PTFE USP 70	048Z60050PT70
					PTFE USP 121	048Z60050PT121
				1.4435-BN2	PTFE USP 70	048Z50050PT70
					PTFE USP 121	048Z50050PT121
3/4"	25,00	15,75	70,00	1.4404	PTFE USP 70	048Z60075PT70
					PTFE USP 121	048Z60075PT121
				1.4435-BN2	PTFE USP 70	048Z50075PT70
					PTFE USP 121	048Z50075PT121
1"	50,40	22,10	85,00	1.4404	PTFE USP 70	048Z60100PT70
					PTFE USP 121	048Z60100PT121
				1.4435-BN2	PTFE USP 70	048Z50100PT70
					PTFE USP 121	048Z50100PT121
1.1/2"	50,40	34,80	90,00	1.4404	PTFE USP 70	048Z60150PT70
					PTFE USP 121	048Z60150PT121
				1.4435-BN2	PTFE USP 70	048Z50150PT70
					PTFE USP 121	048Z50150PT121
2"	63,90	47,50	125,00	1.4404	PTFE USP 70	048Z60200PT70
					PTFE USP 121	048Z60200PT121
				1.4435-BN2	PTFE USP 70	048Z50200PT70
					PTFE USP 121	048Z50200PT121
2.1/2"	77,40	60,20	125,00	1.4404	PTFE USP 70	048Z60250PT70
					PTFE USP 121	048Z60250PT121
				1.4435-BN2	PTFE USP 70	048Z50250PT70
					PTFE USP 121	048Z50250PT121

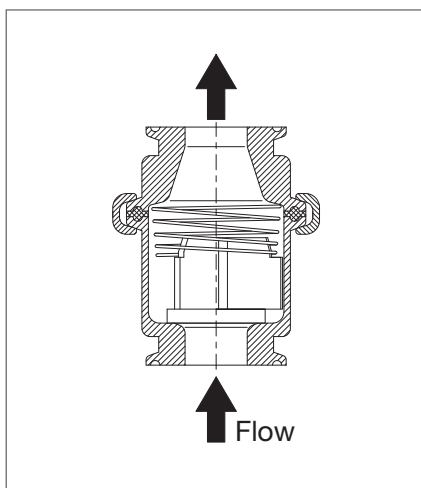
Minimum opening pressure - Indicative data only

Horizontal assembly



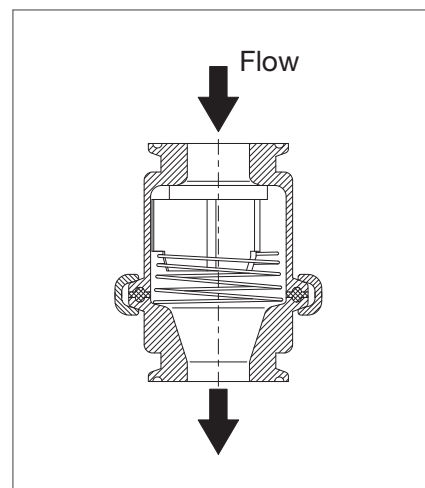
Size	BAR	PSI	KPA
1/2"	0,025	0,36	2,5
3/4"	0,020	0,29	2
1"	0,010	0,15	1
1.1/2"	0,010	0,15	1
2"	0,010	0,15	1
2.1/2"	0,010	0,15	1

Vertical assembly - Rising flow



Size	BAR	PSI	KPA
1/2"	0,030	0,44	3
3/4"	0,025	0,36	2,5
1"	0,025	0,36	2,5
1.1/2"	0,025	0,36	2,5
2"	0,025	0,36	2,5
2.1/2"	0,030	0,44	3

Vertical assembly - Down flow



Size	BAR	PSI	KPA
1/2"	0,010	0,15	1
3/4"	0,010	0,15	1
1"	0,010	0,15	1
1.1/2"	0,010	0,15	1
2"	0,015	0,22	1,5
2.1/2"	0,015	0,22	1,5

N°	Description	Valve size	Code
2	Clamp - n° 1 pcs	1/2"	0486005002
		3/4"	0486007502
		1"	0486010002
		1.1/2"	0486015002
		2"	0486020002
		2.1/2"	0486025002
3	Tri-Clamp Gasket PTFE USP 70° - n° 1 pcs	1/2"	048X005003PT70
		3/4"	048X007503PT70
		1"	048X010003PT70
		1.1/2"	048X015003PT70
		2"	048X020003PT70
		2.1/2"	048X025003PT70
3	Tri-Clamp Gasket PTFE USP 121° - n° 1 pcs	1/2"	048X005003PT121
		3/4"	048X007503PT121
		1"	048X010003PT121
		1.1/2"	048X015003PT121
		2"	048X020003PT121
		2.1/2"	048X025003PT121
4	Spring - n° 1 pcs	1/2"	0486005004
		3/4"	0486007504
		1"	0486010004
		1.1/2"	0486015004
		2"	0486020004
		2.1/2"	0486025004
5	Piston PTFE USP 70° - n° 1 pcs	1/2"	048X005005PT70
		3/4"	048X007505PT70
		1"	048X010005PT70
		1.1/2"	048X015005PT70
		2"	048X020005PT70
		2.1/2"	048X025005PT70
5	Piston PTFE USP 121° - n° 1 pcs	1/2"	048X005005PT121
		3/4"	048X007505PT121
		1"	048X010005PT121
		1.1/2"	048X015005PT121
		2"	048X020005PT121
		2.1/2"	048X025005PT121

Part list

ASTM A270		N°	Name	Material
	1	Short Body	AISI 316L	
	2	Clamp	AISI 304	
	3	Clamp Gasket	PTFE*	
	4	Spring	AISI 316L	
	5	Piston	PTFE*	
	6	Long Body	AISI 316L	
Flange accordig to Asme BPE 2009 * FDA approved as standard				

SPECIAL COMPONENTS

Rattiinox is orientated towards delivering services and products able to satisfy Customers requirements, as concerns aseptic processes and high purity technologies by designing dedicated equipment, devices and systems. Our services will range from the simple consulting, also in the field, for a better understanding of the real needs, to the delivery of standard and dedicated process components, up to be complemented by process engineering. All this is guaranteed by the collaboration of Rattiinox with a team of experts with extensive experience providing process engineering, components and systems.

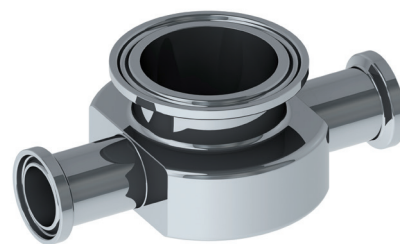
The state of the art of the CNC machining technologies, such as 5 axis machining centers equipped with more than 100 tools, 8 axis multitasking lathes, special ultrasonic cleaning machines and much more... Only the latest generation CNC machine tools are used to get high quality standards like 0,4Ra surface finishing directly on the machine tool working. R&D and engineering of new product and special assembly are available using 3D CAD and CAM softwares.

Rattiinox has always distinguished itself in the quality of its products and the seriousness in the relationships with its clients. All the products are made only with european AISI 316L 1.4404 and 1.4435-BN2 stainless steel and laser marked for full traceability. All products are screened to the surface roughness, measurement of ferrite and ultrasonic cleaned to obtain the highest quality throughout the production process.

097

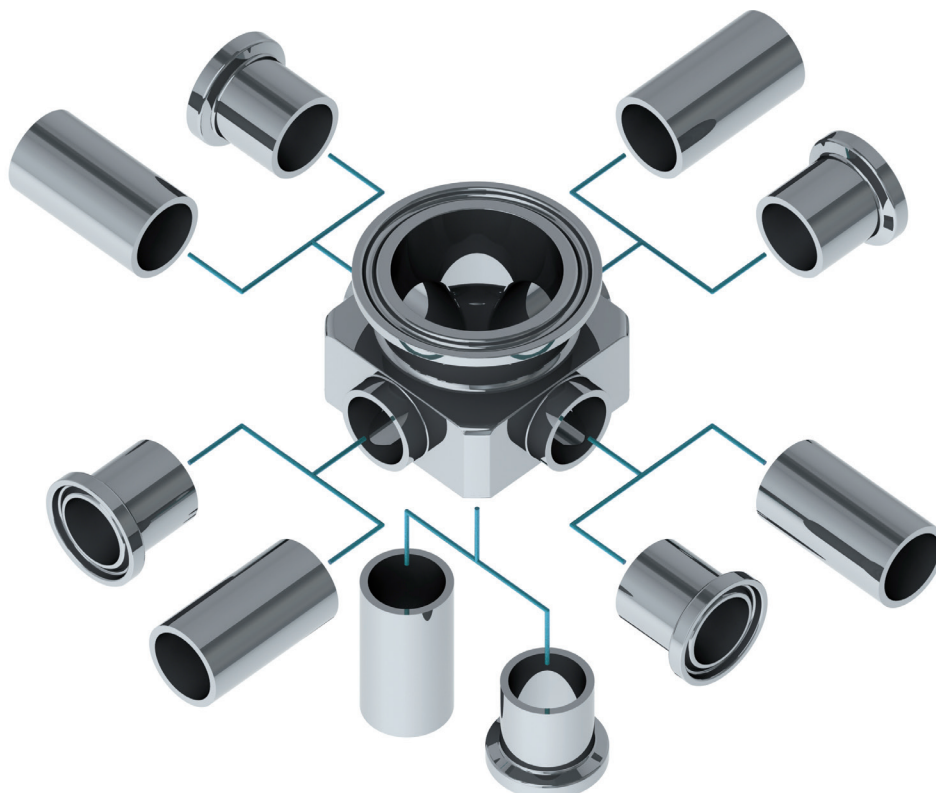
ART.

TRI-CLAMP FITTINGS



INSTRUMENT PORT

Instrument ports are used to adapt pressure and temperature measuring instruments to pipelines reducing dead legs. It has been specifically developed for applications in sterile process engineering. They are available on Tri-Clamp and butt weld ends, for manual and automatic weldings. We can produce special Instrument Ports with several connections on the same piece, to fulfill customer requirements, reducing dimensions and number of parts for sterile pipeline assembly.



TRI-CLAMP FITTINGS

ART. 097/A Long Butt Weld Ends Automatical Welding

Design according to ASME BPE table DT-28

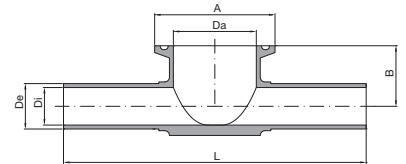
A	Da	B	De	Di	L	Material	Finishing	Code
1.1/2"	34,8	22,20	12,70	9,40	127,00	1.4435-BN2	SF-1	097A50150012 SF1
							SF-4	097A50150012 SF4
		25,40	19,05	15,75	127,00	1.4435-BN2	SF-1	097A50150019 SF1
							SF-4	097A50150019 SF4
		28,60	25,40	22,10	127,00	1.4435-BN2	SF-1	097A50150025 SF1
							SF-4	097A50150025 SF4
2"	47,50	25,40	12,70	9,40	139,80	1.4435-BN2	SF-1	097A50200012 SF1
							SF-4	097A50200012 SF4
		28,60	19,05	15,75	139,80	1.4435-BN2	SF-1	097A50200019 SF1
							SF-4	097A50200019 SF4
		31,80	25,40	22,10	139,80	1.4435-BN2	SF-1	097A50200025 SF1
							SF-4	097A50200025 SF4
		38,10	38,10	34,80	139,80	1.4435-BN2	SF-1	097A50200038 SF1
							SF-4	097A50200038 SF4

SF-1

Int. finishing: $Ra \leq 0,4 \mu\text{m}$ Machined Finish
 Ext. finishing: $Ra \leq 0,8 \mu\text{m}$ Machined Finish

SF-4

Int. finishing: $Ra \leq 0,4 \mu\text{m}$ Electropolished
 Ext. finishing: $Ra \leq 0,8 \mu\text{m}$ Electropolished

**ART. 097/B** Tri-Clamp Ends

Flange design according to ASME BPE

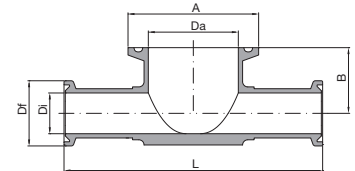
A	Da	B	Df	Di	L	Material	Finishing	Code
1.1/2"	34,8	22,20	25,00	9,40	100,00	1.4435-BN2	SF-1	097B50150012 SF1
							SF-4	097B50150012 SF4
		25,40	25,00	15,75	100,00	1.4435-BN2	SF-1	097B50150019 SF1
							SF-4	097B50150019 SF4
		28,60	50,50	22,10	100,00	1.4435-BN2	SF-1	097B50150025 SF1
							SF-4	097B50150025 SF4
2"	47,50	25,40	25,00	9,40	110,00	1.4435-BN2	SF-1	097B50200012 SF1
							SF-4	097B50200012 SF4
		28,60	25,00	15,75	110,00	1.4435-BN2	SF-1	097B50200019 SF1
							SF-4	097B50200019 SF4
		31,80	50,50	22,10	110,00	1.4435-BN2	SF-1	097B50200025 SF1
							SF-4	097B50200025 SF4
		38,10	50,50	34,80	110,00	1.4435-BN2	SF-1	097B50200038 SF1
							SF-4	097B50200038 SF4

SF-1

Int. finishing: $Ra \leq 0,4 \mu\text{m}$ Machined Finish
 Ext. finishing: $Ra \leq 0,8 \mu\text{m}$ Machined Finish

SF-4

Int. finishing: $Ra \leq 0,4 \mu\text{m}$ Electropolished
 Ext. finishing: $Ra \leq 0,8 \mu\text{m}$ Electropolished

**ART. 097/C** Short Butt Weld Manual Welding

A	Da	B	De	Di	L	Material	Finishing	Code
1.1/2"	34,8	22,20	12,70	9,40	58,00	1.4435-BN2	SF-1	097C50150012 SF1
							SF-4	097C50150012 SF4
		25,40	19,05	15,75	58,00	1.4435-BN2	SF-1	097C50150019 SF1
							SF-4	097C50150019 SF4
		28,60	25,40	22,10	58,00	1.4435-BN2	SF-1	097C50150025 SF1
							SF-4	097C50150025 SF4
2"	47,50	25,40	12,70	9,40	70,00	1.4435-BN2	SF-1	097C50200012 SF1
							SF-4	097C50200012 SF4
		28,60	19,05	15,75	70,00	1.4435-BN2	SF-1	097C50200019 SF1
							SF-4	097C50200019 SF4
		31,80	25,40	22,10	70,00	1.4435-BN2	SF-1	097C50200025 SF1
							SF-4	097C50200025 SF4
		38,10	38,10	34,80	70,00	1.4435-BN2	SF-1	097C50200038 SF1
							SF-4	097C50200038 SF4

SF-1

Int. finishing: $Ra \leq 0,4 \mu\text{m}$ Machined Finish
 Ext. finishing: $Ra \leq 0,8 \mu\text{m}$ Machined Finish

SF-4

Int. finishing: $Ra \leq 0,4 \mu\text{m}$ Electropolished
 Ext. finishing: $Ra \leq 0,8 \mu\text{m}$ Electropolished

