

ART. 090

ART.

SIDE SAMPLING VALVES



30° O-RING SAMPLING VALVES

Characteristics: Side pipe sanitary sampling valves are designed for sampling of liquids on pharmaceutical, chemical, F&B and cosmetics products. O-Ring closing system.

Documentation: Laser marking for traceability and validation processes. Material 3.1 certificates, FDA or USP, internal surface finishing check as standard.

1 HOSE BARB OUTLET



ART. 090/A
P. 043

1 TRI-CLAMP OUTLET



ART. 090/B
P. 042

1 HOSE BARB OUTLET
+ 1 CIP HOSE BARB INLET



ART. 090/C
P. 045

1 HOSE BARB OUTLET
+ 1 CIP TRI-CLAMP INLET



ART. 090/D
P. 046

1 TRI-CLAMP OUTLET
+ 1 CIP TRI-CLAMP INLET



ART. 090/E
P. 047

1 LUER OUTLET



ART. 090/G
P. 048

1 LUER OUTLET
+ 1 CIP TRI-CLAMP INLET



ART. 090/H
P. 049



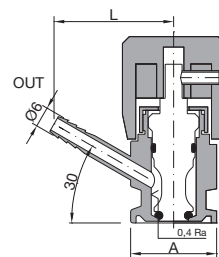
ASTM A270 Tri-Clamp - Flange design according to ASME-BPE
DIN 32676 Tri-Clamp
ISO 1127 Tri-Clamp

Ø A	L	Valve Material	O-Rings Material	Code
25,00	35,00	1.4404	FPM/FKM	090A6TC25V
			EPDM	090A6TC25EP
			SILICONE FDA	090A6TC25SIF
			SILICONE USP 121	090A6TC25SI121
34,00	35,00	1.4404	FPM/FKM	090A6TC34V
			EPDM	090A6TC34EP
			SILICONE FDA	090A6TC34SIF
			SILICONE USP 121	090A6TC34SI121
50,50	41,00	1.4404	FPM/FKM	090A6TC50V
			EPDM	090A6TC50EP
			SILICONE FDA	090A6TC50SIF
			SILICONE USP 121	090A6TC50SI121

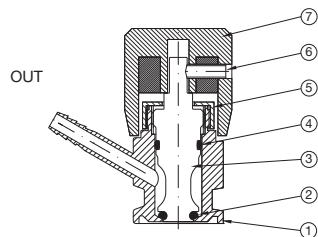
Int. finishing: **Ra ≤ 0,4 µm**
Ext. finishing: **Ra ≤ 0,8 µm Mirror Polished**

Max Working Conditions:
12 bar (170 psi) and 150°C (300°F)

Installation:
Horizontal installation recommended



Spare parts



N°	Name	Material
1	Body	AISI 316L
2	O-Ring 3021	FPM/FKM or EPDM or SILICONE FDA or SILICONE USP 121
3	Piston	AISI 316L
4	O-Ring 2037	FPM/FKM or EPDM or SILICONE FDA or SILICONE USP 121
5	Ring	AISI 316L
6	Grub Screw M4	AISI 304
7	Handle	PTFE + INOX

N°	Description	Valve size	Code
2+4	O-Ring Kit 3021 / 2037 FPM/FKM - n° 10 + 10 pcs	all sizes	ORSV1010V
2+4	O-Ring Kit 3021 / 2037 EPDM - n° 10 + 10 pcs	all sizes	ORSV1010EP
2+4	O-Ring Kit 3021 / 2037 SILICONE FDA - n° 10 + 10 pcs	all sizes	ORSV1010SIF
2+4	O-Ring Kit 3021 / 2037 SILICONE USP 121° - n° 10 + 10 pcs	all sizes	ORSV1010SI121
5	Ring - n° 1 pcs	all sizes	AAAA0090
6	Grub Screw M4 Kit - n° 10 pcs	all sizes	ORSVM4X10
7	Handle PTFE + INOX - n° 1 pcs	all sizes	ORSVHA1



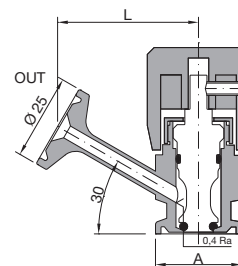
ASTM A270 Tri-Clamp - Flange design according to ASME-BPE
DIN 32676 Tri-Clamp
ISO 1127 Tri-Clamp

Ø A	L	Valve Material	O-Rings Material	Code
25,00	51,50	1.4404	FPM/FKM	090B6TC25V
			EPDM	090B6TC25EP
			SILICONE FDA	090B6TC25SIF
			SILICONE USP 121	090B6TC25SI121
34,00	51,50	1.4404	FPM/FKM	090B6TC34V
			EPDM	090B6TC34EP
			SILICONE FDA	090B6TC34SIF
			SILICONE USP 121	090B6TC34SI121
50,50	58,00	1.4404	FPM/FKM	090B6TC50V
			EPDM	090B6TC50EP
			SILICONE FDA	090B6TC50SIF
			SILICONE USP 121	090B6TC50SI121

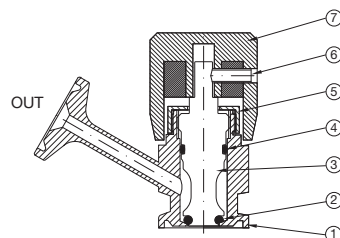
Int. finishing: $Ra \leq 0,4 \mu m$
Ext. finishing: $Ra \leq 0,8 \mu m$ Mirror Polished

Max Working Conditions:
12 bar (170 psi) and 150°C (300°F)

Installation:
Horizontal installation recommended



Spare parts



N°	Name	Material
1	Body	AISI 316L
2	O-Ring 3021	FPM/FKM or EPDM or SILICONE FDA or SILICONE USP 121
3	Piston	AISI 316L
4	O-Ring 2037	FPM/FKM or EPDM or SILICONE FDA or SILICONE USP 121
5	Ring	AISI 316L
6	Grub Screw M4	AISI 304
7	Handle	PTFE + INOX

N°	Description	Valve size	Code
2+4	O-Ring Kit 3021 / 2037 FPM/FKM - n° 10 + 10 pcs	all sizes	ORSV1010V
2+4	O-Ring Kit 3021 / 2037 EPDM - n° 10 + 10 pcs	all sizes	ORSV1010EP
2+4	O-Ring Kit 3021 / 2037 SILICONE FDA - n° 10 + 10 pcs	all sizes	ORSV1010SIF
2+4	O-Ring Kit 3021 / 2037 SILICONE USP 121° - n° 10 + 10 pcs	all sizes	ORSV1010SI121
5	Ring - n° 1 pcs	all sizes	AAAA0090
6	Grub Screw M4 Kit - n° 10 pcs	all sizes	ORSVM4X10
7	Handle PTFE + INOX - n° 1 pcs	all sizes	ORSVHA1



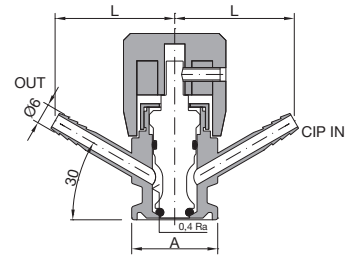
ASTM A270 Tri-Clamp - Flange design according to ASME-BPE
DIN 32676 Tri-Clamp
ISO 1127 Tri-Clamp

Ø A	L	Valve Material	O-Rings Material	Code
25,00	61,50	1.4404	FPM/FKM	090C6TC25V
			EPDM	090C6TC25EP
			SILICONE FDA	090C6TC25SIF
			SILICONE USP 121	090C6TC25SI121
34,00	61,50	1.4404	FPM/FKM	090C6TC34V
			EPDM	090C6TC34EP
			SILICONE FDA	090C6TC34SIF
			SILICONE USP 121	090C6TC34SI121
50,50	68,00	1.4404	FPM/FKM	090C6TC50V
			EPDM	090C6TC50EP
			SILICONE FDA	090C6TC50SIF
			SILICONE USP 121	090C6TC50SI121

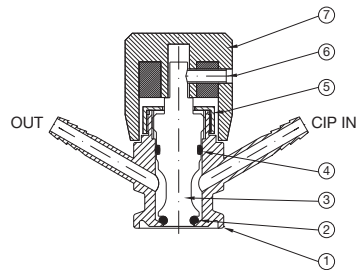
Int. finishing: **Ra ≤ 0,4 µm**
Ext. finishing: **Ra ≤ 0,8 µm Mirror Polished**

Max Working Conditions:
12 bar (170 psi) and 150°C (300°F)

Installation:
Horizontal installation recommended



Spare parts



N°	Name	Material
1	Body	AISI 316L
2	O-Ring 3021	FPM/FKM or EPDM or SILICONE FDA or SILICONE USP 121
3	Piston	AISI 316L
4	O-Ring 2037	FPM/FKM or EPDM or SILICONE FDA or SILICONE USP 121
5	Ring	AISI 316L
6	Grub Screw M4	AISI 304
7	Handle	PTFE + INOX

N°	Description	Valve size	Code
2+4	O-Ring Kit 3021 / 2037 FPM/FKM - n° 10 + 10 pcs	all sizes	ORSV1010V
2+4	O-Ring Kit 3021 / 2037 EPDM - n° 10 + 10 pcs	all sizes	ORSV1010EP
2+4	O-Ring Kit 3021 / 2037 SILICONE FDA - n° 10 + 10 pcs	all sizes	ORSV1010SIF
2+4	O-Ring Kit 3021 / 2037 SILICONE USP 121° - n° 10 + 10 pcs	all sizes	ORSV1010SI121
5	Ring - n° 1 pcs	all sizes	AAAA0090
6	Grub Screw M4 Kit - n° 10 pcs	all sizes	ORSVM4X10
7	Handle PTFE + INOX - n° 1 pcs	all sizes	ORSVHA1



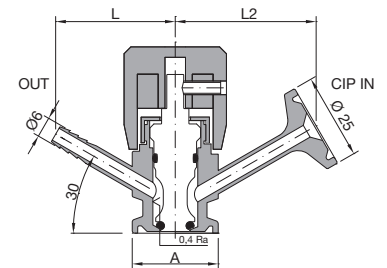
ASTM A270 Tri-Clamp - Flange design according to ASME-BPE
DIN 32676 Tri-Clamp
ISO 1127 Tri-Clamp

Ø A	L1	L2	Valve Material	O-Rings Material	Code
25,00	61,50	51,50	1.4404	FPM/FKM	090D6TC25V
				EPDM	090D6TC25EP
				SILICONE FDA	090D6TC25SIF
				SILICONE USP 121	090D6TC25SI121
34,00	61,50	51,50	1.4404	FPM/FKM	090D6TC34V
				EPDM	090D6TC34EP
				SILICONE FDA	090D6TC34SIF
				SILICONE USP 121	090D6TC34SI121
50,50	68,00	58,00	1.4404	FPM/FKM	090D6TC50V
				EPDM	090D6TC50EP
				SILICONE FDA	090D6TC50SIF
				SILICONE USP 121	090D6TC50SI121

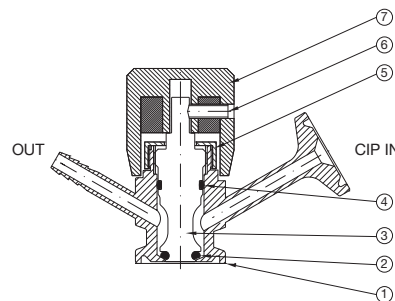
Int. finishing: **Ra ≤ 0,4 µm**
Ext. finishing: **Ra ≤ 0,8 µm Mirror Polished**

Max Working Conditions:
12 bar (170 psi) and 150°C (300°F)

Installation:
Horizontal installation recommended



Spare parts



N°	Name	Material
1	Body	AISI 316L
2	O-Ring 3021	FPM/FKM or EPDM or SILICONE FDA or SILICONE USP 121
3	Piston	AISI 316L
4	O-Ring 2037	FPM/FKM or EPDM or SILICONE FDA or SILICONE USP 121
5	Ring	AISI 316L
6	Grub Screw M4	AISI 304
7	Handle	PTFE + INOX

N°	Description	Valve size	Code
2+4	O-Ring Kit 3021 / 2037 FPM/FKM - n° 10 + 10 pcs	all sizes	ORSV1010V
2+4	O-Ring Kit 3021 / 2037 EPDM - n° 10 + 10 pcs	all sizes	ORSV1010EP
2+4	O-Ring Kit 3021 / 2037 SILICONE FDA - n° 10 + 10 pcs	all sizes	ORSV1010SIF
2+4	O-Ring Kit 3021 / 2037 SILICONE USP 121° - n° 10 + 10 pcs	all sizes	ORSV1010SI121
5	Ring - n° 1 pcs	all sizes	AAAA0090
6	Grub Screw M4 Kit - n° 10 pcs	all sizes	ORSVM4X10
7	Handle PTFE + INOX - n° 1 pcs	all sizes	ORSVHA1



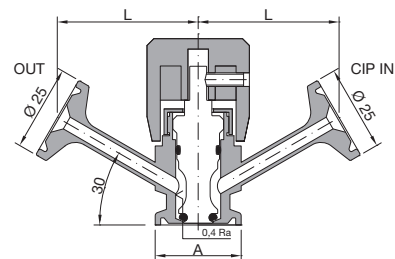
ASTM A270 Tri-Clamp - Flange design according to ASME-BPE
DIN 32676 Tri-Clamp
ISO 1127 Tri-Clamp

Ø A	L	Valve Material	O-Rings Material	Code
25,00	51,50	1.4404	FPM/FKM	090E6TC25V
			EPDM	090E6TC25EP
			SILICONE FDA	090E6TC25SIF
			SILICONE USP 121	090E6TC25SI121
34,00	51,50	1.4404	FPM/FKM	090E6TC34V
			EPDM	090E6TC34EP
			SILICONE FDA	090E6TC34SIF
			SILICONE USP 121	090E6TC34SI121
50,50	58,00	1.4404	FPM/FKM	090E6TC50V
			EPDM	090E6TC50EP
			SILICONE FDA	090E6TC50SIF
			SILICONE USP 121	090E6TC50SI121

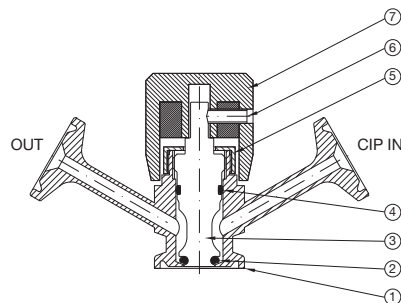
Int. finishing: **Ra ≤ 0,4 µm**
Ext. finishing: **Ra ≤ 0,8 µm Mirror Polished**

Max Working Conditions:
12 bar (170 psi) and 150°C (300°F)

Installation:
Horizontal installation recommended



Spare parts



N°	Name	Material
1	Body	AISI 316L
2	O-Ring 3021	FPM/FKM or EPDM or SILICONE FDA or SILICONE USP 121
3	Piston	AISI 316L
4	O-Ring 2037	FPM/FKM or EPDM or SILICONE FDA or SILICONE USP 121
5	Ring	AISI 316L
6	Grub Screw M4	AISI 304
7	Handle	PTFE + INOX

N°	Description	Valve size	Code
2+4	O-Ring Kit 3021 / 2037 FPM/FKM - n° 10 + 10 pcs	all sizes	ORSV1010V
2+4	O-Ring Kit 3021 / 2037 EPDM - n° 10 + 10 pcs	all sizes	ORSV1010EP
2+4	O-Ring Kit 3021 / 2037 SILICONE FDA - n° 10 + 10 pcs	all sizes	ORSV1010SIF
2+4	O-Ring Kit 3021 / 2037 SILICONE USP 121° - n° 10 + 10 pcs	all sizes	ORSV1010SI121
5	Ring - n° 1 pcs	all sizes	AAAA0090
6	Grub Screw M4 Kit - n° 10 pcs	all sizes	ORSVM4X10
7	Handle PTFE + INOX - n° 1 pcs	all sizes	ORSVHA1



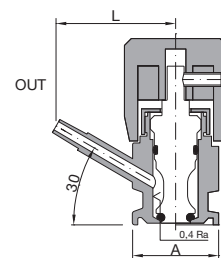
ASTM A270 Tri-Clamp - Flange design according to ASME-BPE
DIN 32676 Tri-Clamp
ISO 1127 Tri-Clamp

Ø A	L	Valve Material	O-Rings Material	Code
25,00	40,00	1.4404	FPM/FKM	090G6TC25V
			EPDM	090G6TC25EP
			SILICONE FDA	090G6TC25SIF
			SILICONE USP 121	090G6TC25SI121
34,00	40,00	1.4404	FPM/FKM	090G6TC34V
			EPDM	090G6TC34EP
			SILICONE FDA	090G6TC34SIF
			SILICONE USP 121	090G6TC34SI121
50,50	46,50	1.4404	FPM/FKM	090G6TC50V
			EPDM	090G6TC50EP
			SILICONE FDA	090G6TC50SIF
			SILICONE USP 121	090G6TC50SI121

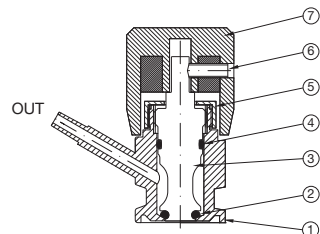
Int. finishing: **Ra ≤ 0,4 µm**
Ext. finishing: **Ra ≤ 0,8 µm Mirror Polished**

Max Working Conditions:
12 bar (170 psi) and 150°C (300°F)

Installation:
Horizontal installation recommended



Spare parts



N°	Name	Material
1	Body	AISI 316L
2	O-Ring 3021	FPM/FKM or EPDM or SILICONE FDA or SILICONE USP 121
3	Piston	AISI 316L
4	O-Ring 2037	FPM/FKM or EPDM or SILICONE FDA or SILICONE USP 121
5	Ring	AISI 316L
6	Grub Screw M4	AISI 304
7	Handle	PTFE + INOX

N°	Description	Valve size	Code
2+4	O-Ring Kit 3021 / 2037 FPM/FKM - n° 10 + 10 pcs	all sizes	ORSV1010V
2+4	O-Ring Kit 3021 / 2037 EPDM - n° 10 + 10 pcs	all sizes	ORSV1010EP
2+4	O-Ring Kit 3021 / 2037 SILICONE FDA - n° 10 + 10 pcs	all sizes	ORSV1010SIF
2+4	O-Ring Kit 3021 / 2037 SILICONE USP 121° - n° 10 + 10 pcs	all sizes	ORSV1010SI121
5	Ring - n° 1 pcs	all sizes	AAAA0090
6	Grub Screw M4 Kit - n° 10 pcs	all sizes	ORSVM4X10
7	Handle PTFE + INOX - n° 1 pcs	all sizes	ORSVHA1



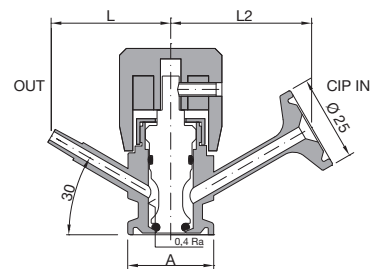
ASTM A270 Tri-Clamp - Flange design according to ASME-BPE
DIN 32676 Tri-Clamp
ISO 1127 Tri-Clamp

Ø A	L1	L2	Valve Material	O-Rings Material	Code
25,00	40,00	51,50	1.4404	FPM/FKM	090H6TC25V
				EPDM	090H6TC25EP
				SILICONE FDA	090H6TC25SIF
				SILICONE USP 121	090H6TC25SI121
34,00	40,00	51,50	1.4404	FPM/FKM	090H6TC34V
				EPDM	090H6TC34EP
				SILICONE FDA	090H6TC34SIF
				SILICONE USP 121	090H6TC34SI121
50,50	46,50	58,00	1.4404	FPM/FKM	090H6TC50V
				EPDM	090H6TC50EP
				SILICONE FDA	090H6TC50SIF
				SILICONE USP 121	090H6TC50SI121

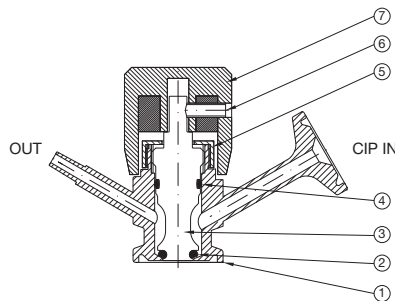
Int. finishing: **Ra ≤ 0,4 µm**
Ext. finishing: **Ra ≤ 0,8 µm Mirror Polished**

Max Working Conditions:
12 bar (170 psi) and 150°C (300°F)

Installation:
Horizontal installation recommended



Spare parts



N°	Name	Material
1	Body	AISI 316L
2	O-Ring 3021	FPM/FKM or EPDM or SILICONE FDA or SILICONE USP 121
3	Piston	AISI 316L
4	O-Ring 2037	FPM/FKM or EPDM or SILICONE FDA or SILICONE USP 121
5	Ring	AISI 316L
6	Grub Screw M4	AISI 304
7	Handle	PTFE + INOX

N°	Description	Valve size	Code
2+4	O-Ring Kit 3021 / 2037 FPM/FKM - n° 10 + 10 pcs	all sizes	ORSV1010V
2+4	O-Ring Kit 3021 / 2037 EPDM - n° 10 + 10 pcs	all sizes	ORSV1010EP
2+4	O-Ring Kit 3021 / 2037 SILICONE FDA - n° 10 + 10 pcs	all sizes	ORSV1010SIF
2+4	O-Ring Kit 3021 / 2037 SILICONE USP 121° - n° 10 + 10 pcs	all sizes	ORSV1010SI121
5	Ring - n° 1 pcs	all sizes	AAAA0090
6	Grub Screw M4 Kit - n° 10 pcs	all sizes	ORSVM4X10
7	Handle PTFE + INOX - n° 1 pcs	all sizes	ORSVHA1



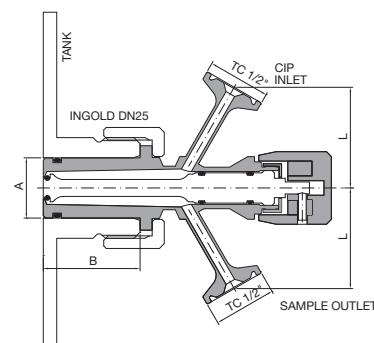
ASTM A270 Tri-Clamp - Flange design according to ASME-BPE

Size	Ø A	B	L	Valve Material	O-Rings Material	Code
DN 25	25,00	40,00	41,00	1.4404	FPM/FKM	091E6IN025V
					EPDM	091E6IN025EP
					SILICONE FDA	091E6IN025SIF
					SILICONE USP 121	091E6IN025SI121

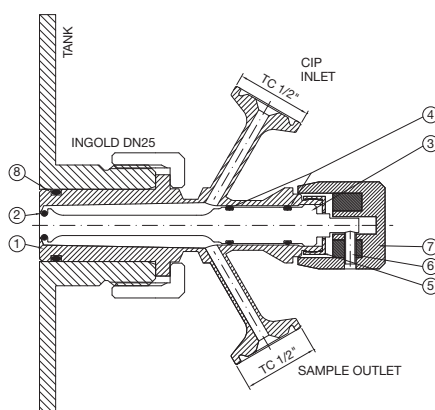
Int. finishing: **Ra ≤ 0,4 µm**
Ext. finishing: **Ra ≤ 0,8 µm Mirror Polished**

Max Working Conditions:
12 bar (170 psi) and 150°C (300°F)

Installation:
Horizontal installation recommended



Spare parts



N°	Name	Material
1	Body	AISI 316L
2	O-Ring 3021	FPM/FKM or EPDM or SILICONE FDA or SILICONE USP 121
3	Piston	AISI 316L
4	O-Ring 2037	FPM/FKM or EPDM or SILICONE FDA or SILICONE USP 121
5	Ring	AISI 316L
6	Grub Screw M4	AISI 304
7	Handle	PTFE + INOX
8	O-Ring 3081	FPM/FKM or EPDM or SILICONE FDA or SILICONE USP 121

N°	Description	Valve size	Code
2+4	O-Ring Kit 3021 / 2037 / 3081 FPM/FKM - n° 10 + 20 + 10 pcs	all sizes	ORSV102010V
2+4	O-Ring Kit 3021 / 2037 / 3081 EPDM - n° 10 + 20 + 10 pcs	all sizes	ORSV102010EP
2+4	O-Ring Kit 3021 / 2037 / 3081 SILICONE FDA - n° 10 + 20 + 10 pcs	all sizes	ORSV102010SIF
2+4	O-Ring Kit 3021 / 2037 / 3081 SILICONE USP 121° - n° 10 + 20 + 10 pcs	all sizes	ORSV102010SI121
5	Ring - n° 1 pcs	all sizes	AAAA0090
6	Grub Screw M4 Kit - n° 10 pcs	all sizes	ORSVM4X10
7	Handle PTFE + INOX - n° 1 pcs	all sizes	ORSVHA1



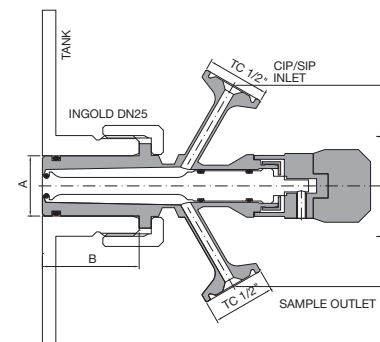
ASTM A270 Tri-Clamp - Flange design according to ASME-BPE

Size	Ø A	B	L	Valve Material	O-Rings Material	Code
DN 25	25,00	40,00	41,00	1.4404	FPM/FKM	091F6IN025V
					EPDM	091F6IN025EP
					SILICONE FDA	091F6IN025SIF
					SILICONE USP 121	091F6IN025SI121

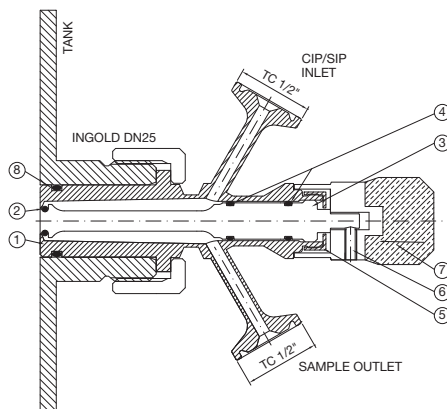
Int. finishing: **Ra ≤ 0,4 µm**
Ext. finishing: **Ra ≤ 0,8 µm Mirror Polished**

Max Working Conditions:
12 bar (170 psi) and 150°C (300°F)

Installation:
Horizontal installation recommended



Spare parts



N°	Name	Material
1	Body	AISI 316L
2	O-Ring 3021	FPM/FKM or EPDM or SILICONE FDA or SILICONE USP 121
3	Piston	AISI 316L
4	O-Ring 2037	FPM/FKM or EPDM or SILICONE FDA or SILICONE USP 121
5	Ring	AISI 316L
6	Grub Screw M4	AISI 304
7	Removable Handle	PTFE + INOX
8	O-Ring 3081	FPM/FKM or EPDM or SILICONE FDA or SILICONE USP 121

N°	Description	Valve size	Code
2+4	O-Ring Kit 3021 / 2037 / 3081 FPM/FKM - n° 10 + 20 + 10 pcs	all sizes	ORSV102010V
2+4	O-Ring Kit 3021 / 2037 / 3081 EPDM - n° 10 + 20 + 10 pcs	all sizes	ORSV102010EP
2+4	O-Ring Kit 3021 / 2037 / 3081 SILICONE FDA - n° 10 + 20 + 10 pcs	all sizes	ORSV102010SIF
2+4	O-Ring Kit 3021 / 2037 / 3081 SILICONE USP 121° - n° 10 + 20 + 10 pcs	all sizes	ORSV102010SI121
5	Ring - n° 1 pcs	all sizes	AAAA0090
6	Grub Screw M4 Kit - n° 10 pcs	all sizes	ORSVM4X10
7	Removable Handle PTFE + INOX - n° 1 pcs	all sizes	091F600007PTF