

Nous suivons les qualités surlignées en jaune.

ASTM A270 Tri-Clamp - Flange design according to ASME-BPE 2009



Int. finishing: $Ra \leq 0,4 \mu m$
 Ext. finishing: $Ra \leq 0,8 \mu m$ Mirror Polished

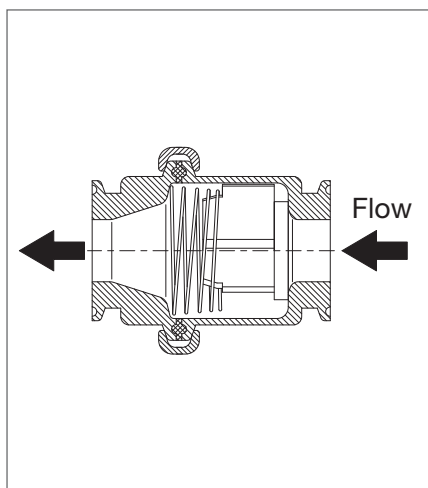
Max Working Conditions:
10 bar (120 psi) and 150°C (300°F)

Gaskets:
USP CLASS VI - 70° PTFE
 or **USP CLASS VI - 121° PTFE**

Size	Ø A	Ø B	L	Valve Material	Gasket Material	Code
1/2"	25,00	9,40	70,00	1.4404	PTFE USP 70	048Z60050PT70
					PTFE USP 121	048Z60050PT121
				1.4435-BN2	PTFE USP 70	048Z50050PT70
					PTFE USP 121	048Z50050PT121
3/4"	25,00	15,75	70,00	1.4404	PTFE USP 70	048Z60075PT70
					PTFE USP 121	048Z60075PT121
				1.4435-BN2	PTFE USP 70	048Z50075PT70
					PTFE USP 121	048Z50075PT121
1"	50,40	22,10	85,00	1.4404	PTFE USP 70	048Z60100PT70
					PTFE USP 121	048Z60100PT121
				1.4435-BN2	PTFE USP 70	048Z50100PT70
					PTFE USP 121	048Z50100PT121
1.1/2"	50,40	34,80	90,00	1.4404	PTFE USP 70	048Z60150PT70
					PTFE USP 121	048Z60150PT121
				1.4435-BN2	PTFE USP 70	048Z50150PT70
					PTFE USP 121	048Z50150PT121
2"	63,90	47,50	125,00	1.4404	PTFE USP 70	048Z60200PT70
					PTFE USP 121	048Z60200PT121
				1.4435-BN2	PTFE USP 70	048Z50200PT70
					PTFE USP 121	048Z50200PT121
2.1/2"	77,40	60,20	125,00	1.4404	PTFE USP 70	048Z60250PT70
					PTFE USP 121	048Z60250PT121
				1.4435-BN2	PTFE USP 70	048Z50250PT70
					PTFE USP 121	048Z50250PT121

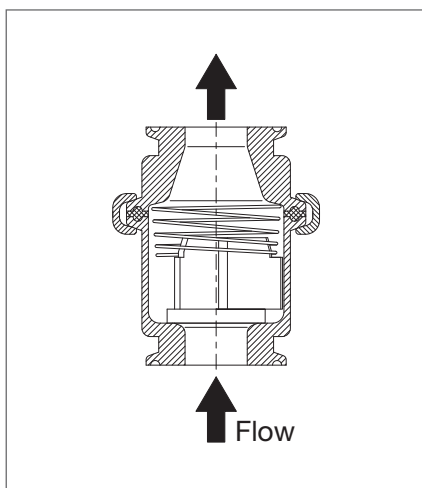
Minimum opening pressure - Indicative data only

Horizontal assembly



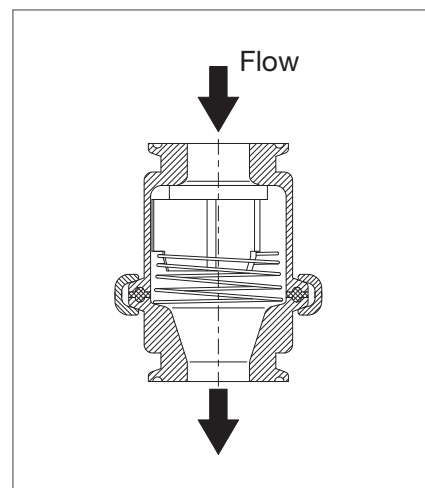
Size	BAR	PSI	KPA
1/2"	0,025	0,36	2,5
3/4"	0,020	0,29	2
1"	0,010	0,15	1
1.1/2"	0,010	0,15	1
2"	0,010	0,15	1
2.1/2"	0,010	0,15	1

Vertical assembly - Rising flow



Size	BAR	PSI	KPA
1/2"	0,030	0,44	3
3/4"	0,025	0,36	2,5
1"	0,025	0,36	2,5
1.1/2"	0,025	0,36	2,5
2"	0,025	0,36	2,5
2.1/2"	0,030	0,44	3

Vertical assembly - Down flow



Size	BAR	PSI	KPA
1/2"	0,010	0,15	1
3/4"	0,010	0,15	1
1"	0,010	0,15	1
1.1/2"	0,010	0,15	1
2"	0,015	0,22	1,5
2.1/2"	0,015	0,22	1,5

N°	Description	Valve size	Code
2	Clamp - n° 1 pcs	1/2"	0486005002
		3/4"	0486007502
		1"	0486010002
		1.1/2"	0486015002
		2"	0486020002
		2.1/2"	0486025002
3	Tri-Clamp Gasket PTFE USP 70° - n° 1 pcs	1/2"	048X005003PT70
		3/4"	048X007503PT70
		1"	048X010003PT70
		1.1/2"	048X015003PT70
		2"	048X020003PT70
		2.1/2"	048X025003PT70
3	Tri-Clamp Gasket PTFE USP 121° - n° 1 pcs	1/2"	048X005003PT121
		3/4"	048X007503PT121
		1"	048X010003PT121
		1.1/2"	048X015003PT121
		2"	048X020003PT121
		2.1/2"	048X025003PT121
4	Spring - n° 1 pcs	1/2"	0486005004
		3/4"	0486007504
		1"	0486010004
		1.1/2"	0486015004
		2"	0486020004
		2.1/2"	0486025004
5	Piston PTFE USP 70° - n° 1 pcs	1/2"	048X005005PT70
		3/4"	048X007505PT70
		1"	048X010005PT70
		1.1/2"	048X015005PT70
		2"	048X020005PT70
		2.1/2"	048X025005PT70
5	Piston PTFE USP 121° - n° 1 pcs	1/2"	048X005005PT121
		3/4"	048X007505PT121
		1"	048X010005PT121
		1.1/2"	048X015005PT121
		2"	048X020005PT121
		2.1/2"	048X025005PT121

Part list

ASTM A270		N°	Name	Material
	1	Short Body	AISI 316L	
	2	Clamp	AISI 304	
	3	Clamp Gasket	PTFE*	
	4	Spring	AISI 316L	
	5	Piston	PTFE*	
	6	Long Body	AISI 316L	
Flange accordig to Asme BPE 2009 * FDA approved as standard				