



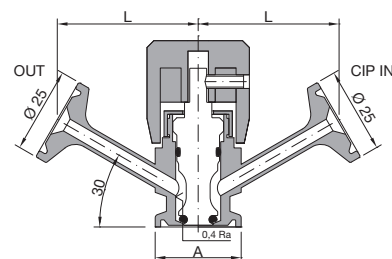
ASTM A270 Tri-Clamp - Flange design according to ASME-BPE  
DIN 32676 Tri-Clamp  
ISO 1127 Tri-Clamp

Ø A	L	Valve Material	O-Rings Material	Code
25,00	51,50	1.4404	FPM/FKM	<b>090E6TC25V</b>
			EPDM	<b>090E6TC25EP</b>
			SILICONE FDA	<b>090E6TC25SIF</b>
			SILICONE USP 121	<b>090E6TC25SI121</b>
34,00	51,50	1.4404	FPM/FKM	<b>090E6TC34V</b>
			EPDM	<b>090E6TC34EP</b>
			SILICONE FDA	<b>090E6TC34SIF</b>
			SILICONE USP 121	<b>090E6TC34SI121</b>
50,50	58,00	1.4404	FPM/FKM	<b>090E6TC50V</b>
			EPDM	<b>090E6TC50EP</b>
			SILICONE FDA	<b>090E6TC50SIF</b>
			SILICONE USP 121	<b>090E6TC50SI121</b>

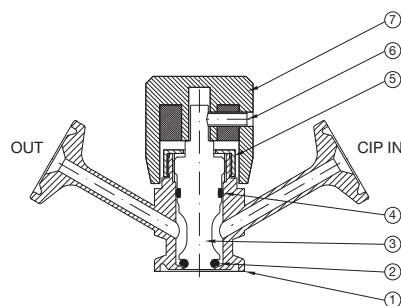
Int. finishing: **Ra ≤ 0,4 µm**  
Ext. finishing: **Ra ≤ 0,8 µm Mirror Polished**

Max Working Conditions:  
**12 bar (170 psi) and 150°C (300°F)**

Installation:  
**Horizontal installation recommended**



Spare parts



N°	Name	Material
1	Body	AISI 316L
2	O-Ring 3021	FPM/FKM or EPDM or SILICONE FDA or SILICONE USP 121
3	Piston	AISI 316L
4	O-Ring 2037	FPM/FKM or EPDM or SILICONE FDA or SILICONE USP 121
5	Ring	AISI 316L
6	Grub Screw M4	AISI 304
7	Handle	PTFE + INOX

N°	Description	Valve size	Code
2+4	O-Ring Kit 3021 / 2037 FPM/FKM - n° 10 + 10 pcs	all sizes	<b>ORSV1010V</b>
2+4	O-Ring Kit 3021 / 2037 EPDM - n° 10 + 10 pcs	all sizes	<b>ORSV1010EP</b>
2+4	O-Ring Kit 3021 / 2037 SILICONE FDA - n° 10 + 10 pcs	all sizes	<b>ORSV1010SIF</b>
2+4	O-Ring Kit 3021 / 2037 SILICONE USP 121° - n° 10 + 10 pcs	all sizes	<b>ORSV1010SI121</b>
5	Ring - n° 1 pcs	all sizes	<b>AAAA0090</b>
6	Grub Screw M4 Kit - n° 10 pcs	all sizes	<b>ORSVM4X10</b>
7	Handle PTFE + INOX - n° 1 pcs	all sizes	<b>ORSVHA1</b>