

Select L (Left) or R (Right) or UP (Up) design. Codes showed on this catalog are for "right to left" (R) flow. Change last letter on the code tab to order valves with correct flow.

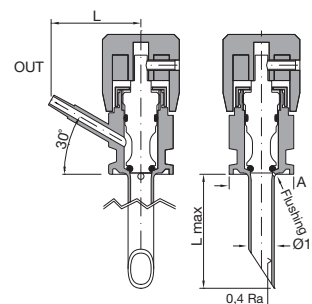
ASTM A270 Tri-Clamp - Flange design according to ASME-BPE  
DIN 32676 Tri-Clamp  
ISO 1127 Tri-Clamp

Ø A	L	L max	Valve Material	O-Rings Material	Code
25,00	35,00	80,00	1.4404	FPM/FKM	<b>058G6TC25VR</b>
				EPDM	<b>058G6TC25EPR</b>
				SILICONE FDA	<b>058G6TC25SIFR</b>
				SILICONE USP 121	<b>058G6TC25SI121R</b>
34,00	35,00	80,00	1.4404	FPM/FKM	<b>058G6TC34VR</b>
				EPDM	<b>058G6TC34EPR</b>
				SILICONE FDA	<b>058G6TC34SIFR</b>
				SILICONE USP 121	<b>058G6TC34SI121R</b>
50,50	41,00	80,00	1.4404	FPM/FKM	<b>058G6TC50VR</b>
				EPDM	<b>058G6TC50EPR</b>
				SILICONE FDA	<b>058G6TC50SIFR</b>
				SILICONE USP 121	<b>058G6TC50SI121R</b>

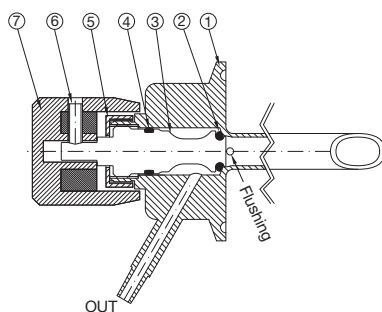
Int. finishing: Ra ≤ 0,4 µm  
Ext. finishing: Ra ≤ 0,8 µm Mirror Polished

Max Working Conditions:  
**12 bar (170 psi) and 150°C (300°F)**

Installation:  
**Check correct flow direction during assembly**  
**Horizontal installation recommended**



Spare parts



N°	Name	Material
1	Body	AISI 316L
2	O-Ring 3021	FPM/FKM or EPDM or SILICONE FDA or SILICONE USP 121
3	Piston	AISI 316L
4	O-Ring 2037	FPM/FKM or EPDM or SILICONE FDA or SILICONE USP 121
5	Ring	AISI 316L
6	Grub Screw M4	AISI 304
7	Handle	PTFE + INOX

N°	Description	Valve size	Code
2+4	O-Ring Kit 3021 / 2037 FPM/FKM - n° 10 + 10 pcs	all sizes	<b>ORSV1010V</b>
2+4	O-Ring Kit 3021 / 2037 EPDM - n° 10 + 10 pcs	all sizes	<b>ORSV1010EP</b>
2+4	O-Ring Kit 3021 / 2037 SILICONE FDA - n° 10 + 10 pcs	all sizes	<b>ORSV1010SIF</b>
2+4	O-Ring Kit 3021 / 2037 SILICONE USP 121° - n° 10 + 10 pcs	all sizes	<b>ORSV1010SI121</b>
5	Ring - n° 1 pcs	all sizes	<b>AAAA0090</b>
6	Grub Screw M4 Kit - n° 10 pcs	all sizes	<b>ORSVM4X10</b>
7	Handle PTFE + INOX - n° 1 pcs	all sizes	<b>ORSVHA1</b>