

Select L (Left) or R (Right) or UP (Up) design. Codes showed on this catalog are for "right to left" (R) flow. Change last letter on the code tab to order valves with correct flow.

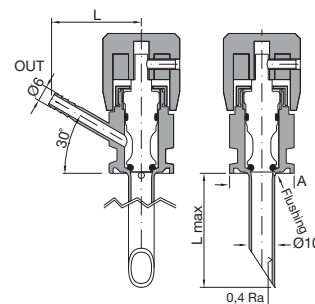
ASTM A270 Tri-Clamp - Flange design according to ASME-BPE  
DIN 32676 Tri-Clamp  
ISO 1127 Tri-Clamp

Ø A	L	L max	Valve Material	O-Rings Material	Code
25,00	35,00	80,00	1.4404	FPM/FKM	058A6TC25VR
				EPDM	058A6TC25EPR
				SILICONE FDA	058A6TC25SIFR
				SILICONE USP 121	058A6TC25SI121R
34,00	35,00	80,00	1.4404	FPM/FKM	058A6TC34VR
				EPDM	058A6TC34EPR
				SILICONE FDA	058A6TC34SIFR
				SILICONE USP 121	058A6TC34SI121R
50,50	41,00	80,00	1.4404	FPM/FKM	058A6TC50VR
				EPDM	058A6TC50EPR
				SILICONE FDA	058A6TC50SIFR
				SILICONE USP 121	058A6TC50SI121R

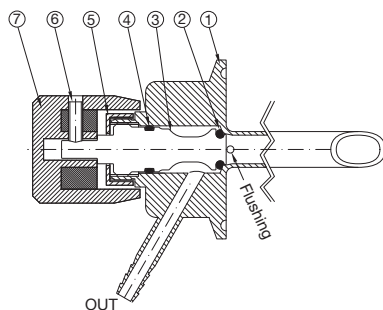
Int. finishing: Ra ≤ 0,4 µm  
Ext. finishing: Ra ≤ 0,8 µm Mirror Polished

Max Working Conditions:  
12 bar (170 psi) and 150°C (300°F)

Installation:  
Check correct flow direction during assembly  
Horizontal installation recommended



Spare parts



N°	Name	Material
1	Body	AISI 316L
2	O-Ring 3021	FPM/FKM or EPDM or SILICONE FDA or SILICONE USP 121
3	Piston	AISI 316L
4	O-Ring 2037	FPM/FKM or EPDM or SILICONE FDA or SILICONE USP 121
5	Ring	AISI 316L
6	Grub Screw M4	AISI 304
7	Handle	PTFE + INOX

N°	Description	Valve size	Code
2+4	O-Ring Kit 3021 / 2037 FPM/FKM - n° 10 + 10 pcs	all sizes	ORSV1010V
2+4	O-Ring Kit 3021 / 2037 EPDM - n° 10 + 10 pcs	all sizes	ORSV1010EP
2+4	O-Ring Kit 3021 / 2037 SILICONE FDA - n° 10 + 10 pcs	all sizes	ORSV1010SIF
2+4	O-Ring Kit 3021 / 2037 SILICONE USP 121° - n° 10 + 10 pcs	all sizes	ORSV1010SI121
5	Ring - n° 1 pcs	all sizes	AAAA0090
6	Grub Screw M4 Kit - n° 10 pcs	all sizes	ORSVM4X10
7	Handle PTFE + INOX - n° 1 pcs	all sizes	ORSVHA1